

# Customer Information Sheet

DRAWING No.: M40-310XX45R

SHEET 3 OF 4

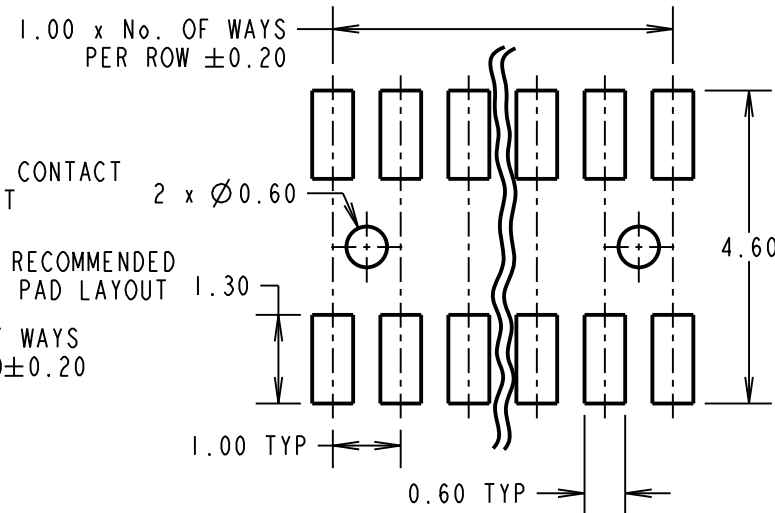
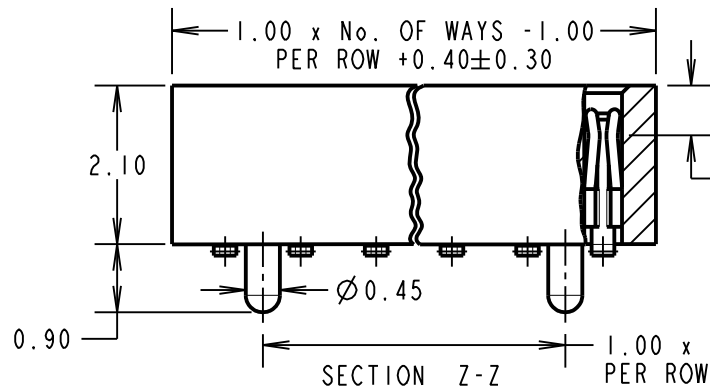
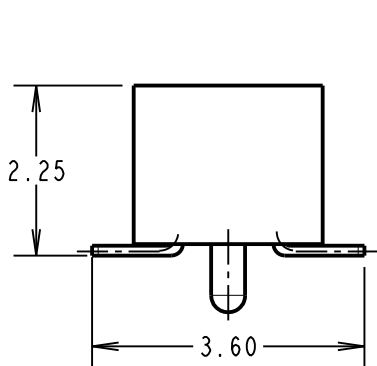
IF IN DOUBT - ASK

©

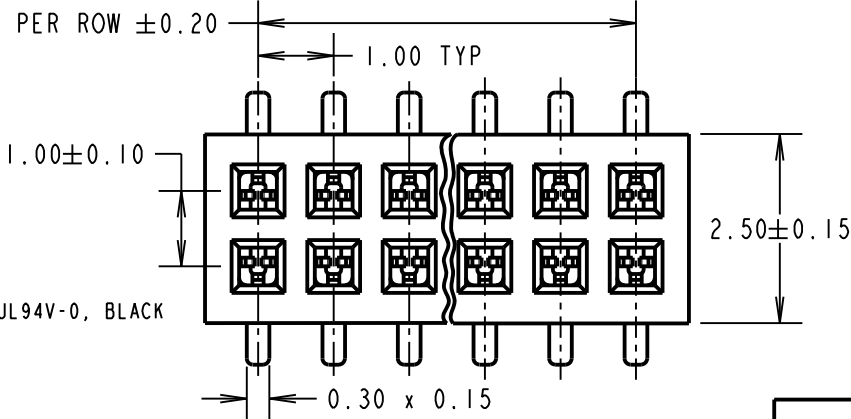
NOT TO SCALE

THIRD ANGLE PROJECTION

ALL DIMENSIONS IN mm



1.00 x No. OF WAYS PER ROW  $\pm 0.20$



**SPECIFICATIONS:**

**MATERIAL:**  
 MOULDING = GLASS FILLED NYLON PA6T UL94V-0, BLACK  
 CONTACT = PHOSPHOR BRONZE

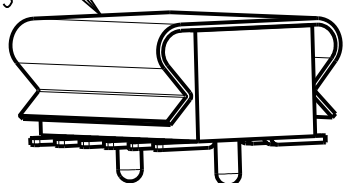
**FINISH:**  
 GOLD FLASH OVER NICKEL

**ELECTRICAL:**  
 CURRENT RATING = 1A  
 INSULATION RESISTANCE = 5,000 MEGOHMS MIN.  
 CONTACT RESISTANCE = 20 MILLIOHMS MAX.  
 VOLTAGE PROOF = 1000V AC

**MECHANICAL:**  
 INSERTION FORCE = 1.5N MAX  
 WITHDRAWAL FORCE = 0.1N MIN.  
 DURABILITY = 300 CYCLES

**ENVIRONMENTAL:**  
 OPERATING TEMPERATURE = -40°C TO +105°C  
 FOR COMPLETE MECHANICAL/ELECTRICAL SPECIFICATION,  
 SEE COMPONENT SPECIFICATION C026XX (LATEST ISSUE)

CAP PLACED CENTRALLY  
 SEE NOTE 3



**NOTES:**

- FOR REELING DETAILS, SEE SHEET 4.
- ALL TOLERANCES ARE  $\pm 0.25$  UNLESS OTHERWISE STATED.
- CAP REMOVED FROM MAIN VIEWS FOR CLARITY, PART COMES FITTED WITH CAP. SEE SHEET 4 FOR CAP DETAILS.

ORDER CODE:  
**M40-310XX45R**

No. OF WAYS PER ROW  
 03, 04, 05, 06, 08, 10, 20, 25

FINISH:  
 45 = GOLD FLASH OVER NICKEL

RA	3	14.02.11	11125
NAME	ISS.	DATE	C/NOTE
APPROVED:		R. ADDE	
CHECKED:		M.G. PLESTED	
DRAWN:		R. ADDE	
CUSTOMER REF.:			
ASSEMBLY DRG:			



www.harwin.com  
 technical@harwin.com

THIS DRAWING AND ANY INFORMATION OR DESCRIPTIVE MATTER SET OUT HEREON ARE CONFIDENTIAL AND COPYRIGHT PROPERTY OF THE HARWIN GROUP AND MUST NOT BE DISCLOSED, LOANED, COPIED OR USED FOR MANUFACTURING, TENDERING OR FOR ANY OTHER PURPOSE WITHOUT THEIR WRITTEN PERMISSION.

**TOLERANCES**  
 X. =  $\pm 1$ mm  
 X.X =  $\pm 0.25$ mm  
 X.XX =  $\pm 0.10$ mm  
 X.XXX =  $\pm 0.01$ mm  
 ANGLES =  $\pm 5^\circ$   
 UNLESS STATED

**MATERIAL:**  
 SEE ABOVE

**FINISH:**  
 SEE ABOVE

**S/AREA:**  
 mm<sup>2</sup>

**TITLE:**  
 1mm PITCH DIL SMT SKT ASSEMBLY (T & R) WITH P & P CAP

**DRAWING NUMBER:**  
**M40-310XX45R**

SHT 3 OF 4

# Customer Information Sheet

DRAWING No.: M40-310XX45R

SHEET 4 OF 4

IF IN DOUBT - ASK

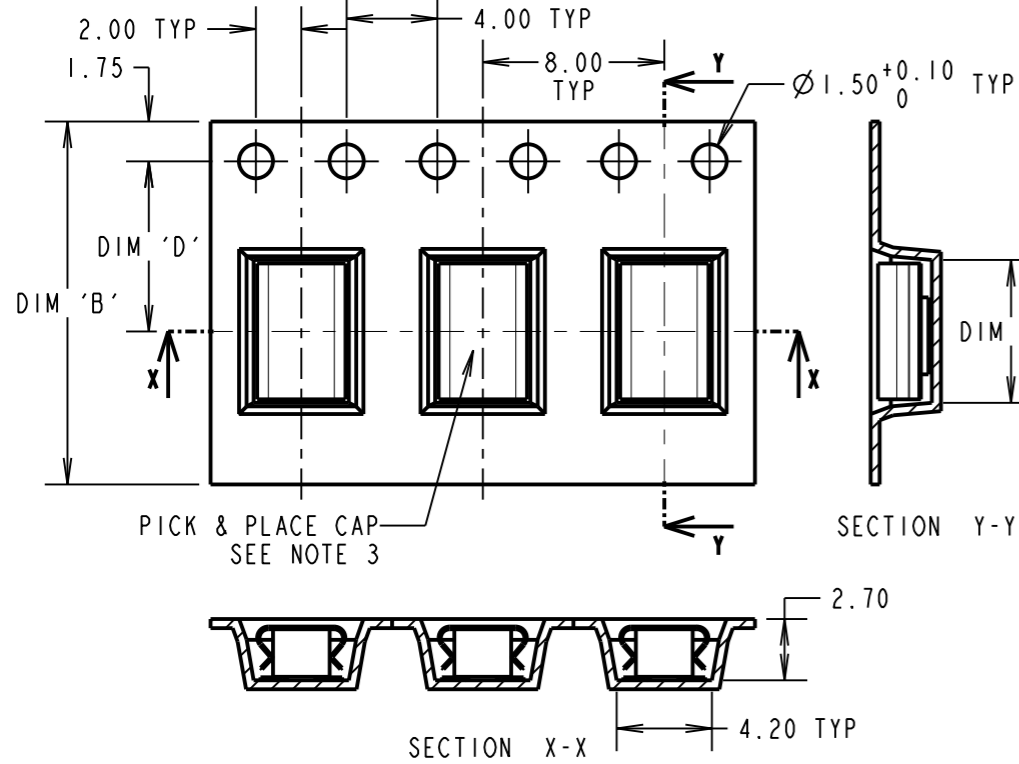
Ⓢ

NOT TO SCALE

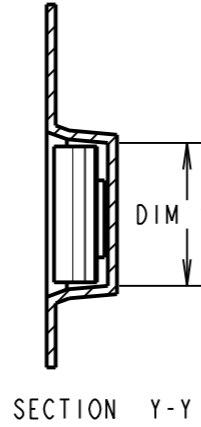
THIRD ANGLE PROJECTION

ALL DIMENSIONS IN mm

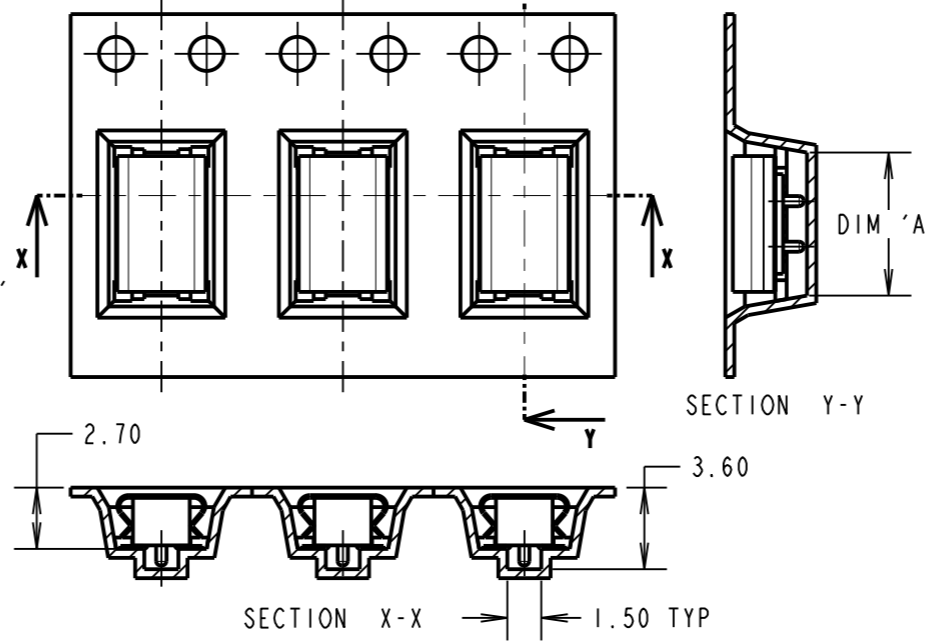
## 3 WAY STYLE



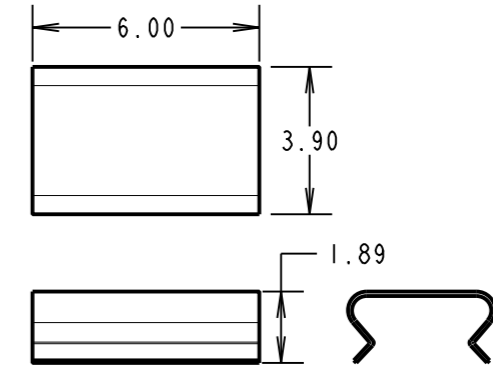
## TAPE DETAILS



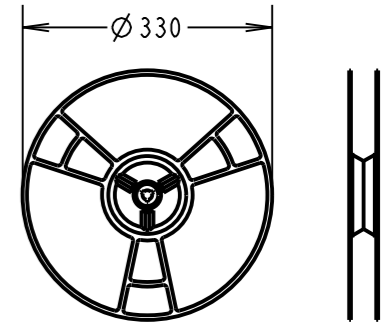
## 4 WAY STYLE



## CAP DETAILS

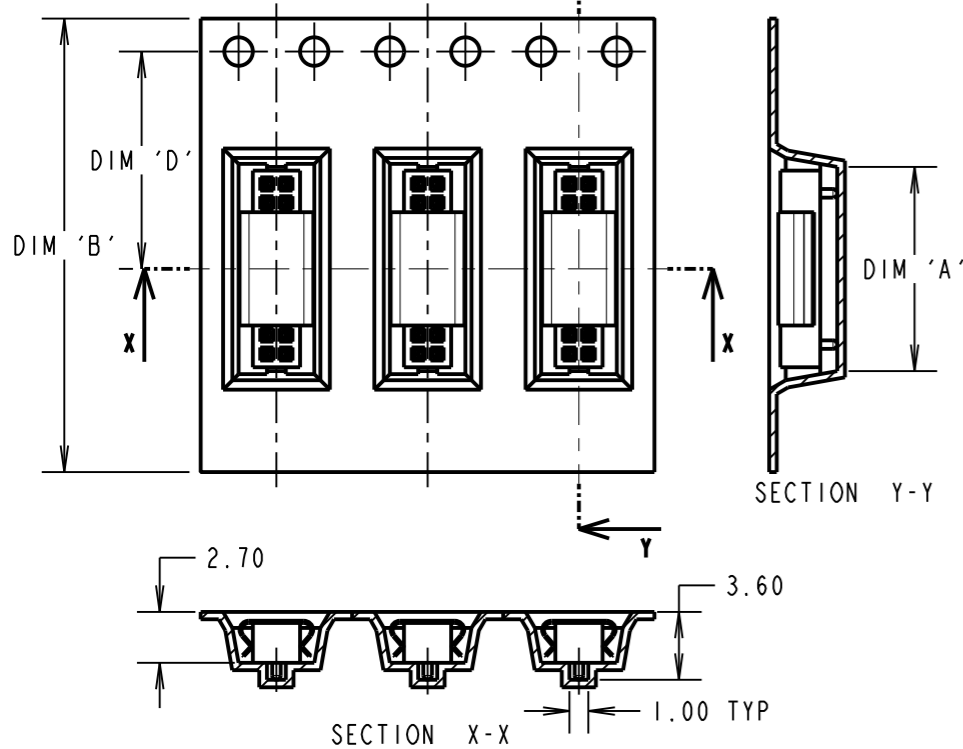


## REEL DETAILS

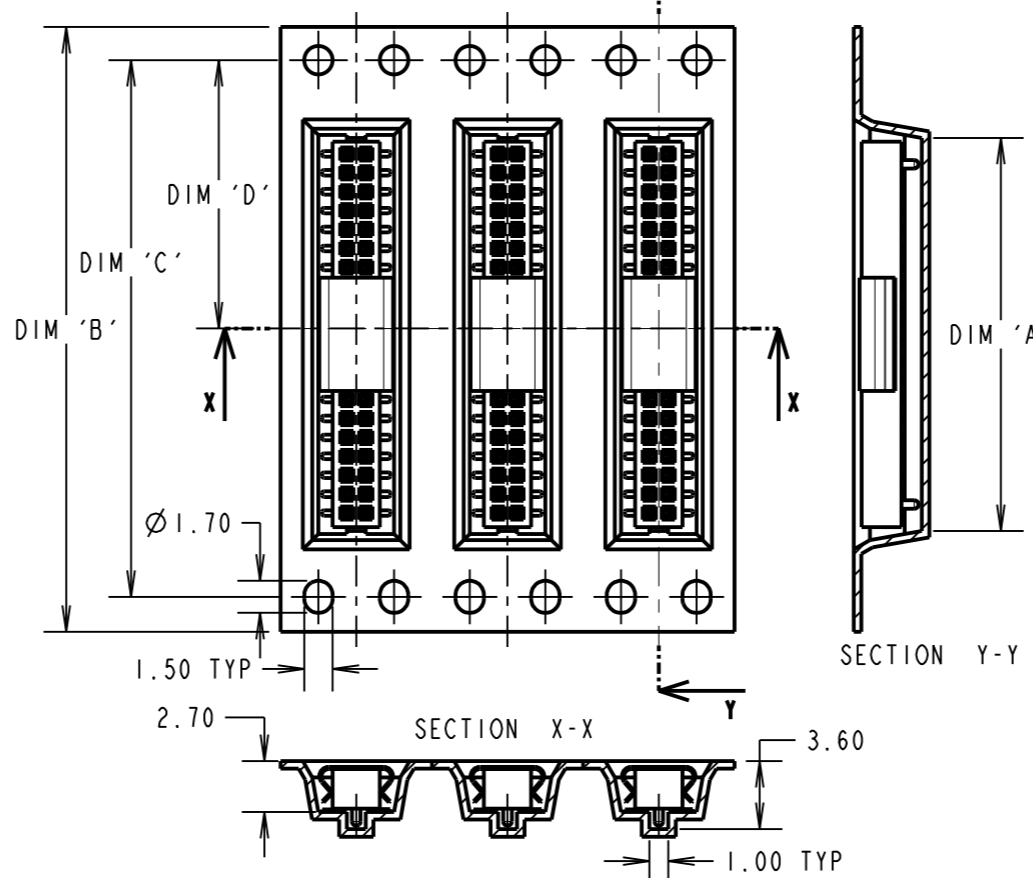


PART NUMBER	DIM 'A'	DIM 'B'	DIM 'C'	DIM 'D'
M40-3100345R	6.30	16.00±0.30	X	7.50±0.15
M40-3100445R	6.30			
M40-3100545R	6.30			
M40-3100645R	6.90	24.00±0.30	X	11.50±0.15
M40-3100845R	8.80			
M40-3101045R	10.80	32.00±0.30	28.40	14.20±0.15
M40-3102045R	20.80			
M40-3102545R	25.80	44.00±0.30	40.40	20.20±0.15

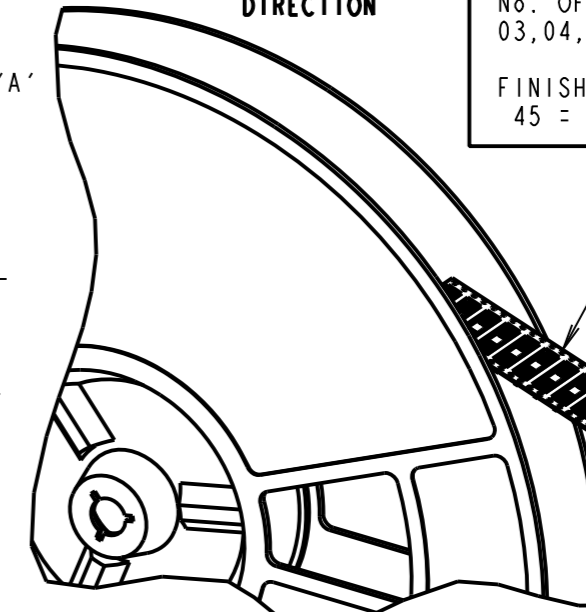
## 5,6,8 & 10 WAY STYLE



## 20 & 25 WAY STYLE



FINISHED REELING DIRECTION



ORDER CODE:

**M40-310XX45R**

No. OF WAYS PER ROW  
03, 04, 05, 06, 08, 10, 20, 25

FINISH:  
45 = GOLD FLASH OVER NICKEL

ROUND HOLES THIS SIDE

RA	3	14.02.11	11125
NAME	ISS.	DATE	C/NOTE
APPROVED:		R. ADDE	
CHECKED:		M.G. PLESTED	
DRAWN:		R. ADDE	
CUSTOMER REF.:			
ASSEMBLY DRG:			

NOTES:

- FOR CONNECTOR DIMENSIONS, SEE SHEET 3
- TAPE & REEL TO BE IN ACCORDANCE WITH EIA-481 (ELECTRONIC INDUSTRIES ASSOCIATION)
- PICK & PLACE CAP IS THE SAME FOR ALL SIZES.
- QUANTITY PER REEL FOR ALL SIZES = 2000.
- TAPE THICKNESS FOR ALL WAYS IS 0.40±0.10

**HARWIN**

HARWIN USA  
TEL: 603 893 5376  
FAX: 603 893 5396  
mis@harwin.com

HARWIN Europe (UK)  
TEL: 023 9231 4545  
FAX: 023 9231 4590  
mis@harwin.co.uk

HARWIN Asia  
TEL: +65 6 779 4909  
FAX: +65 6 779 3868  
mis@harwin.com.sg

THIS DRAWING AND ANY INFORMATION OR DESCRIPTIVE MATTER SET OUT HEREON ARE CONFIDENTIAL AND COPYRIGHT PROPERTY OF THE HARWIN GROUP AND MUST NOT BE DISCLOSED, LOANED, COPIED OR USED FOR MANUFACTURING, TENDERING OR FOR ANY OTHER PURPOSE WITHOUT THEIR WRITTEN PERMISSION.

TOLERANCES  
X. = ±1mm  
X.X = ±0.25mm  
X.XX = ±0.10mm  
X.XXX = ±0.01mm  
ANGLES = ±5°  
UNLESS STATED

MATERIAL: SEE ABOVE  
FINISH: SEE ABOVE  
S/AREA: mm<sup>2</sup>

TITLE: 1mm PITCH DIL SMT SKT ASSEMBLY (T & R) WITH P & P CAP

DRAWING NUMBER: **M40-310XX45R**

SHT 4 OF 4