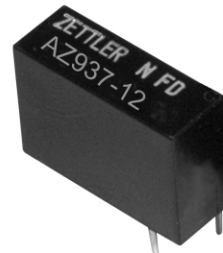


AZ937

SENSITIVE SUBMINIATURE RELAY

FEATURES

- Extremely small footprint utilizing only 0.22 square inch of PCB area
- Thin vertical profile only 0.275" wide
- 1 Form A contact with up to 3 Amp switching capability
- High sensitivity, 113 mW pickup
- Dielectric strength 4000 Vrms contact to coil
- Coils to 24 VDC
- Epoxy sealed for automatic wave soldering and cleaning
- UL, CUR file E44211
- CSA file 702514
- TÜV file B020440800001



CONTACTS

Arrangement	SPST (1 Form A)
Ratings	Resistive load: Max. switched power: 90 W or 750 VA Max. switched current: 3 A Max. switched voltage: 150* VDC or 250 VAC Note: If switching voltage is greater than 30 VDC, special precautions must be taken. Please contact the factory.
Rated Load UL/CSA	3 A at 250 VAC, general use, 200k cycles 3 A at 30 VDC, resistive, 200k cycles
TÜV	¹ / ₁₀ HP at 250 VAC, 100k cycles
Material	Silver nickel
Resistance	< 100 milliohms initially (at 6 V, 1 A, voltage drop method)

COIL

Power At Pickup Voltage (typical)	113 mW
Max. Continuous Dissipation Temperature Rise	750 mW at 20°C (68°F) ambient 26°C (47°F) at nominal coil voltage
Temperature	Max. 105°C (221°F)

NOTES

1. All values at 20°C (68°F).
2. Relay may pull in with less than "Must Operate" value.
3. Minimum permissible contact load.
4. Specifications subject to change without notice.

GENERAL DATA

Life Expectancy Mechanical Electrical	Minimum operations 5 million operations 1 X 10 ⁵ at 3 A, 30 VDC or 250 VAC Res.
Operate Time (typical)	6 ms at nominal coil voltage
Release Time (typical)	3 ms at nominal coil voltage (with no coil suppression)
Dielectric Strength (at sea level for 1 min.)	750 Vrms between open contacts 4000 Vrms contact to coil
Insulation Resistance	1000 megohms min. at 20°C, 500 VDC, 50% RH
Dropout	Greater than 10% of nominal coil voltage
Ambient Temperature Operating Storage	At nominal coil voltage -40°C (-40°F) to 85°C (185°F) -40°C (-40°F) to 105°C (221°F)
Vibration	0.062" DA at 10–55 Hz
Shock	10 g
Enclosure	P.B.T. polyester
Terminals	Tinned copper alloy, P.C.
Max. Solder Temp.	270°C (518°F)
Max. Solder Time	5 seconds
Max. Solvent Temp.	80°C (176°F)
Max. Immersion Time	30 seconds
Weight	5 grams



AMERICAN ZETTLER, INC.

www.azettler.com

75 COLUMBIA • ALISO VIEJO, CA 92656 • PHONE: (949) 831-5000 • FAX: (949) 831-8642 • E-MAIL: SALES@AZETTLER.COM

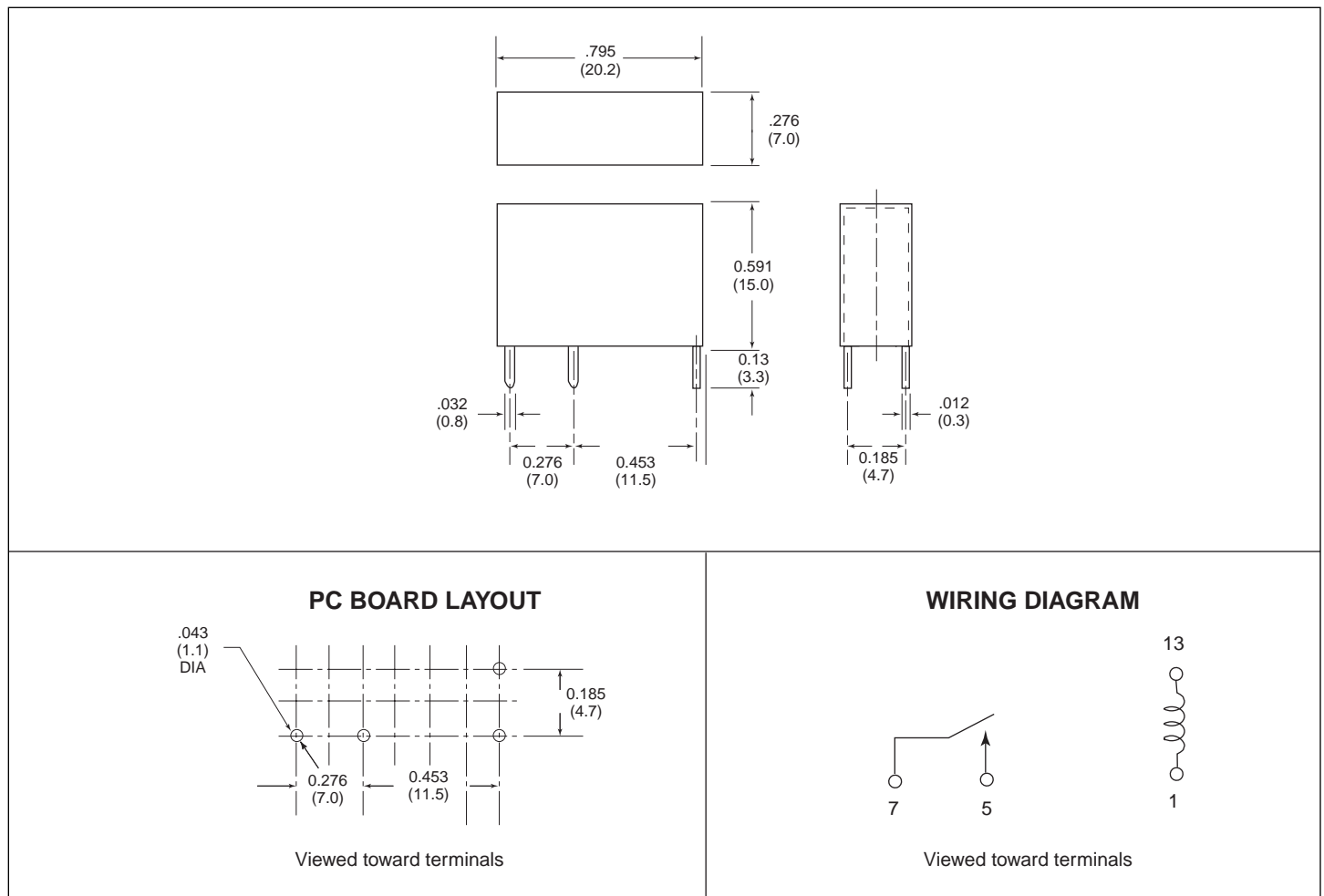
5/6/02W

AZ937

RELAY ORDERING DATA

COIL SPECIFICATIONS				
Nominal Coil VDC	Max. Continuous VDC	Coil Resistance $\pm 10\%$	Must Operate VDC	ORDER NUMBER
3	5.8	45	2.3	AZ937-3
5	9.7	125	3.8	AZ937-5
6	11.6	180	4.5	AZ937-6
9	17.4	405	6.8	AZ937-9
12	23.2	720	9.0	AZ937-12
24	46.5	2,880	18.0	AZ937-24

MECHANICAL DATA



Dimensions in inches with metric equivalents in parentheses. Tolerance: $\pm .010$ "



AMERICAN ZETTLER, INC.

www.azettler.com

75 COLUMBIA • ALISO VIEJO, CA 92656 • PHONE: (949) 831-5000 • FAX: (949) 831-8642 • E-MAIL: SALES@AZETTLER.COM

5/6/02W