

PLEASE CHECK WWW.MOLEX.COM FOR LATEST PART INFORMATION

Part Number: [0711981001](#)
Status: **Active**
Overview: [microcross_dvi](#)
Description: MicroCross™ P&D-A Ground Blade

Documents:

[3D Model](#) [RoHS Certificate of Compliance \(PDF\)](#)
[Drawing \(PDF\)](#)

General

Product Family	I/O Connectors
Series	71198
Application	Wire-to-Board
Component Type	Ground Blade
Overview	microcross_dvi
Product Name	MicroCross™P&D
Type	N/A

Physical

Boot Color	N/A
Circuits (Loaded)	N/A
Gender	Male
Lock to Mating Part	None
Material - Plating Mating	Gold
Material - Plating Termination	Tin
Orientation	Vertical
PCB Retention	N/A
Packaging Type	Tray
Panel Mount	Yes
Pitch - Mating Interface (in)	0.000 In
Pitch - Mating Interface (mm)	0.00 mm
Plating min: Mating (µin)	30
Plating min: Mating (µm)	0.75
Plating min: Termination (µin)	150
Plating min: Termination (µm)	3.75
Polarized to Mating Part	No
Surface Mount Compatible (SMC)	No
Termination Interface: Style	N/A
Waterproof / Dustproof	No
Wire Size AWG	22, 24, 28, 30

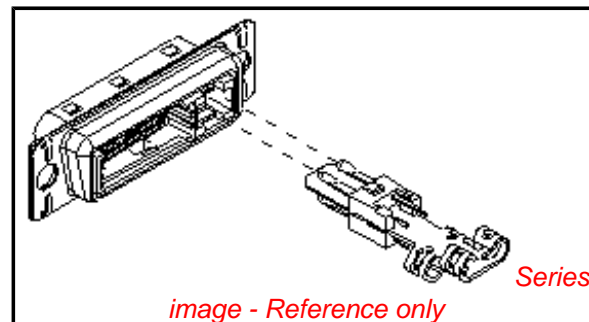
Electrical

Current - Maximum per Contact	N/A
-------------------------------	-----

Material Info

Reference - Drawing Numbers

Sales Drawing	SD-71198-100*
---------------	---------------



EU RoHS

**ELV and RoHS
Compliant**

REACH SVHC

Not Reviewed

Halogen-Free

Status

Not Reviewed

China RoHS



**Need more information on product
environmental compliance?**

Email productcompliance@molex.com
 For a multiple part number RoHS Certificate of
 Compliance, [click here](#)

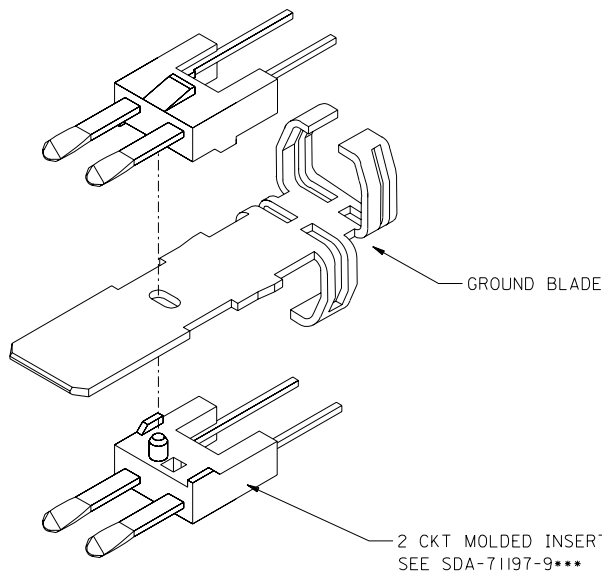
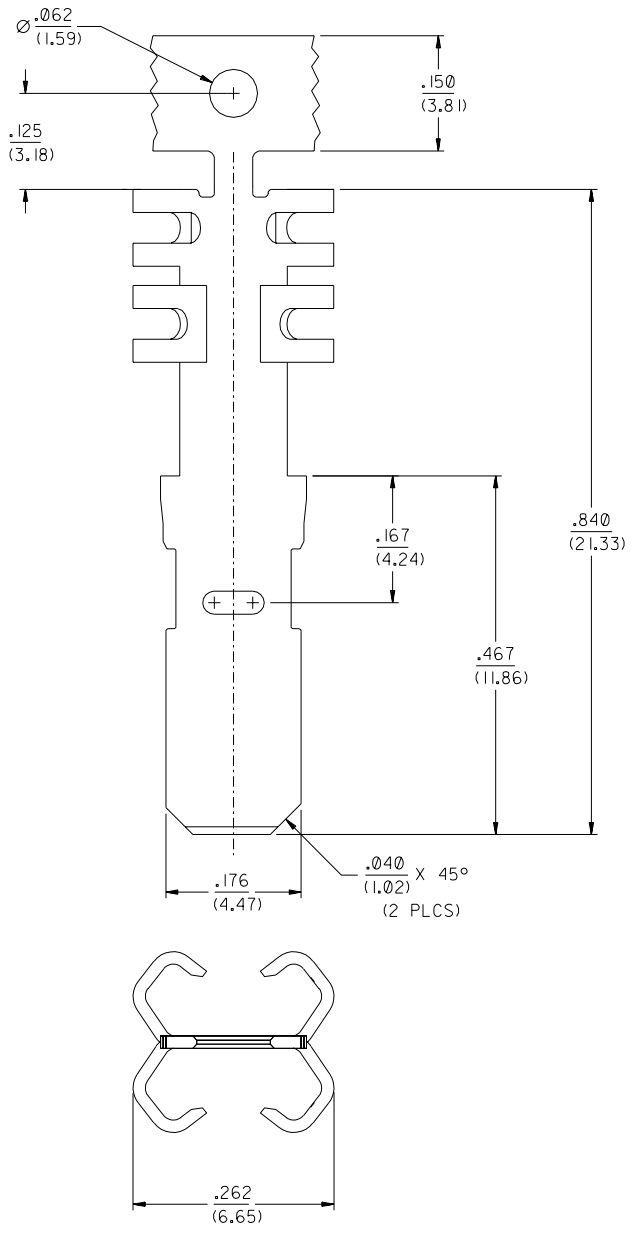
Please visit the [Contact Us](#) section for any
 non-product compliance questions.

Search Parts in this Series

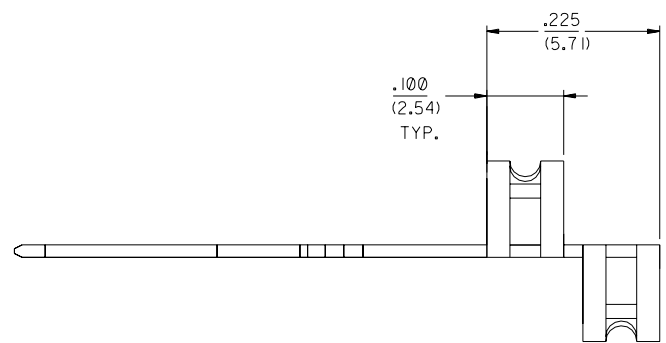
[71198Series](#)

Mates With

Wire-to-Board MicroCross PD-73712 and
 71182



VIEWS SHOWN PRE-TERMINATED



- NOTES:
- MATERIAL: COPPER ALLOY.
 - PLATING - CONTACT AREA: 30 MICROINCHES/(0.76 MICROMETERS) MINIMUM GOLD OVER NICKEL UNDERPLATE OVERALL. OR GOLD FLASH OVER 40 MICROINCHES/(1.00 MICROMETERS) MINIMUM PALLADIUM-NICKEL OVER NICKEL UNDERPLATE OVERALL.
 - PLATING -COAX BRAID AREA : 150 MICROINCHES/(3.81 MICROMETERS) MINIMUM TIN OVER NICKEL UNDERPLATE OVERALL.
 - PARTS ARE SHIPPED ON REELS: QUANTITY TO BE 4,000 PARTS PER REEL
 - REFER TO PS-71754-9999 FOR ASSEMBLY AND TERMINATION DETAILS.
 - "X" IN STATUS COLUMN REFLECTS NOT TOOLED
- NOTE FOR LEAD FREE CONVERSION:
THE PRIMARY SHIPPING CARTON WILL BE LABELED "COMPLIANT TO ROHS DIRECTIVE 2002/95/EC AND ELV ANNEX II OF DIRECTIVE 2000/53/EC". CARTONS WITHOUT THIS LABEL MAY CONTAIN PRODUCT WITH LEAD.

STATUS	ITEM PART NUMBERS AND PLATING	
A	71198-1001	30 MICROINCHES/(0.76 MICROMETERS) MINIMUM GOLD OVER NICKEL UNDERPLATE OVERALL IN CONTACT AREA 150 MICROINCHES MINIMUM TIN OVER NICKEL UNDERPLATE OVERALL IN COAX BRAID AREA.
X	71198-1002	GOLD FLASH OVER 40 MICROINCHES/(1.00 MICROMETERS) MINIMUM PALLADIUM-NICKEL OVER NICKEL UNDERPLATE OVERALL IN CONTACT AREA, 150 MICROINCHES MINIMUM TIN OVER NICKEL UNDERPLATE OVERALL IN COAX BRAID AREA.

DIMENSIONS SHOWN (METRIC) INCH		UNLESS OTHERWISE SPECIFIED TOLERANCES: ANGULAR ± 1/2°		REVISIONS	
3 PLACE	± .010	INCH	METRIC	---	
2 PLACE	±	± 0.25			
1 PLACE	---	±			
DRAFT WHERE APPLICABLE MUST REMAIN WITHIN DIMENSIONS				REVISIONS	
DRWG. BY: MOS	CHK'D. BY: PAM	TITLE: GROUND PLANE FOR EVC CABLE ASSEMBLIES SALES DETAIL		SHEET NO. 1 OF 1	
APP'D. BY: JWN	SCALE: 8: 1	PART NO. SEE CHART SD-71198-100*		DATE: 12/13/95	
MFG, SH, REV, LTR.		MOLEX INCORPORATED		DIV. CD	
		LITSE,ILL. 60532		THIS DRAWING CONTAINS INFORMATION THAT IS PROPRIETARY TO MOLEX INC. AND SHOULD NOT BE USED WITHOUT WRITTEN PERMISSION.	