

PLEASE CHECK WWW.MOLEX.COM FOR LATEST PART INFORMATION

Part Number: [0677990007](#)
Status: **Active**
Description: 50 CKT CF RECEPTACLE SMT TYPE

Documents:

[Drawing \(PDF\)](#) [RoHS Certificate of Compliance \(PDF\)](#)
[Product Specification PS-67799-001 \(PDF\)](#)

Agency Certification

UL E29179

Physical

Flammability 94V-0

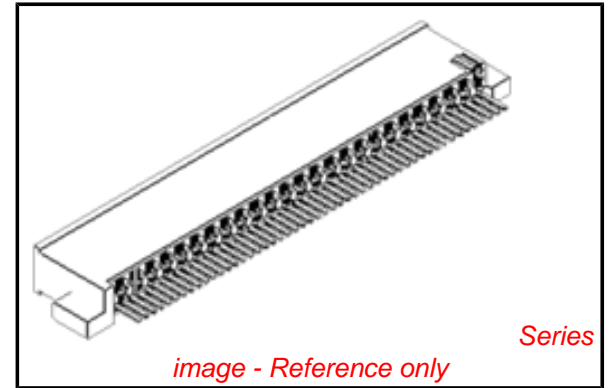
Solder Process Data

Duration at Max. Process Temperature (seconds) 3
 Lead-free Process Capability Reflow Capable (SMT only)
 Max. Cycles at Max. Process Temperature 2
 Process Temperature max. C 260

Material Info

Reference - Drawing Numbers

Product Specification PS-67799-001
 Sales Drawing SD-67799-004



EU RoHS

**ELV and RoHS
Compliant**
REACH SVHC
 Not Reviewed
**Halogen-Free
Status**

China RoHS

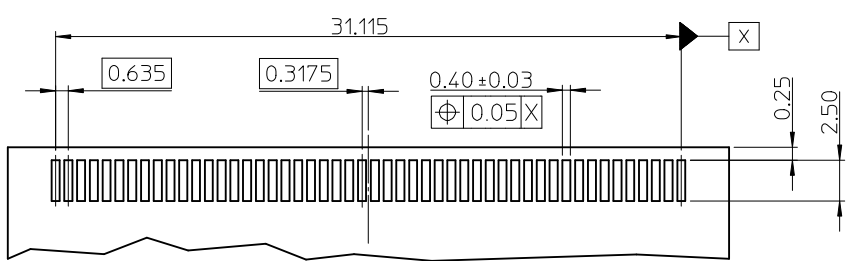
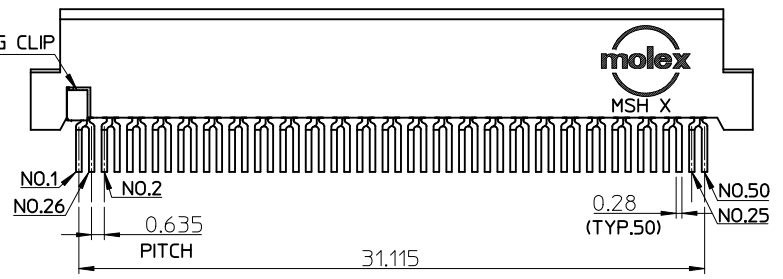
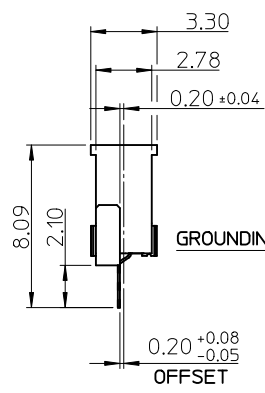
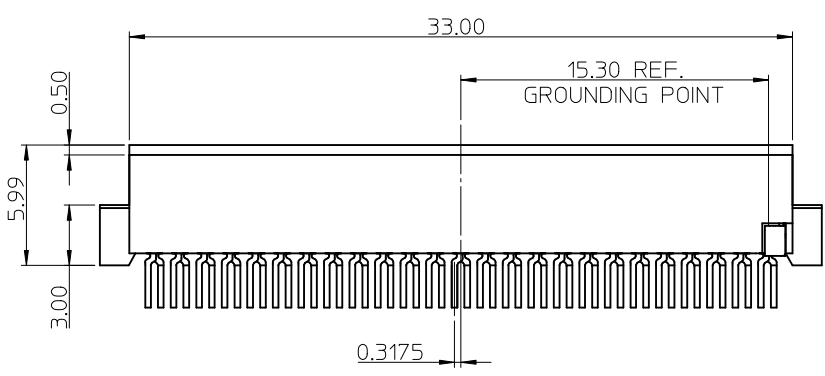
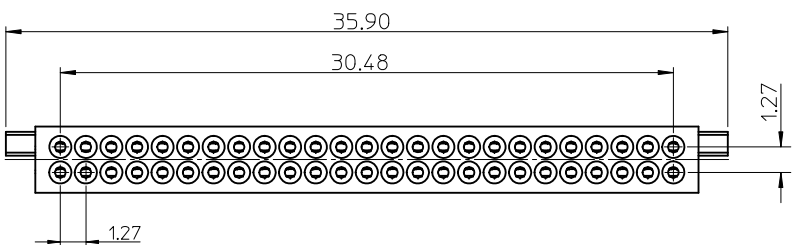


**Need more information on product
environmental compliance?**

Email productcompliance@molex.com
 For a multiple part number RoHS Certificate of
 Compliance, [click here](#)

Please visit the [Contact Us](#) section for any
 non-product compliance questions.

Search Parts in this Series
 67799Series



PCB LAYOUT RECOMMEND

NOTE:
 1.MATERIAL:
 HOUSING, HIGH TEMPERATURE POLYMER.
 TERMINAL, COPPER ALLOY.
 GROUNDING CLIP, COPPER ALLOY.
 2.FINISH: TERMINAL:
 NICKEL OVERALL THICKNESS 0.5 MICRON MINIMUM,
 CONTACT AREA(SEE TABLE):
 a. SELECTIVE GOLD 0.1 MICRON MINIMUM OVER
 PALLADIUM/NICKEL 0.5 MICRON MINIMUM,
 b. SELECTIVE GOLD 0.75 MICRON MINIMUM OVER
 NICKEL 0.5 MICRON MINIMUM (FOR P/N:67799-0008),
 SOLDER AREA:(SEE TABLE)
 a.MATTE TIN /TIN-LEAD 5.0 MICRON MINIMUM
 b.GOLD FLASH 0.05 MICRON MINIMUM.
 GROUNDING CLIP:
 GOLD FLASH OVERALL OVER NICKEL 1.25 MICRON MINIMUM.
 3.TERMINAL COPLANARITY 0.08mm MAXIMUM.
 4.PRODUCT SPECIFICATION: PS-67799-001.
 5.PACKAGE: PK-67799-001.
 6.GROUNDING CLIP CONDUCTS WITH TERMINAL NO.1, NO.26.

67799-0008	CONTACT AREA: 30U' GOLD SOLDER TAIL: GOLD FLASH
67799-0007	GOLD FLASH PLATING
67799-0004	MATTE TIN PLATING
MATERIAL NO.	PLATING TYPE IN SOLDER TAIL

REMOVED 677990006	DESCRIPTION
EC NO: SH2010-0275	2010/01/08
DRWN: JZENG	2010/01/21
CHKD: WFDENG	2010/01/26
APPR: WFDENG	
REV	

QUALITY SYMBOLS	GENERAL TOLERANCES (UNLESS SPECIFIED)
▽=0	
∇=0	
	ANGULAR ± 3 °
	DRAFT WHERE APPLICABLE MUST REMAIN WITHIN DIMENSIONS

DIMENSION STYLE MM ONLY	
DRAWN BY	DATE
B. CHU	2003/02/20
CHECKED BY	DATE
W. CHANG	2003/02/20
APPROVED BY	DATE
WFDENG	2010/01/21
MATERIAL NO.	
SEE TABLE	

SCALE 4:1	DESIGN UNITS METRIC	THIRD ANGLE PROJECTION
TITLE 50 CKT CF RECEPTACLE SMT TYPE B, OFFSET 0.20MM		
MOLEX INCORPORATED		
MATERIAL NO.	DOCUMENT NO.	SHEET NO.
SEE TABLE	SD-67799-004	1 OF 2
THIS DRAWING CONTAINS INFORMATION THAT IS PROPRIETARY TO MOLEX INCORPORATED AND SHOULD NOT BE USED WITHOUT WRITTEN PERMISSION		

10 9 8 7 6 5 4 3 2 1

F

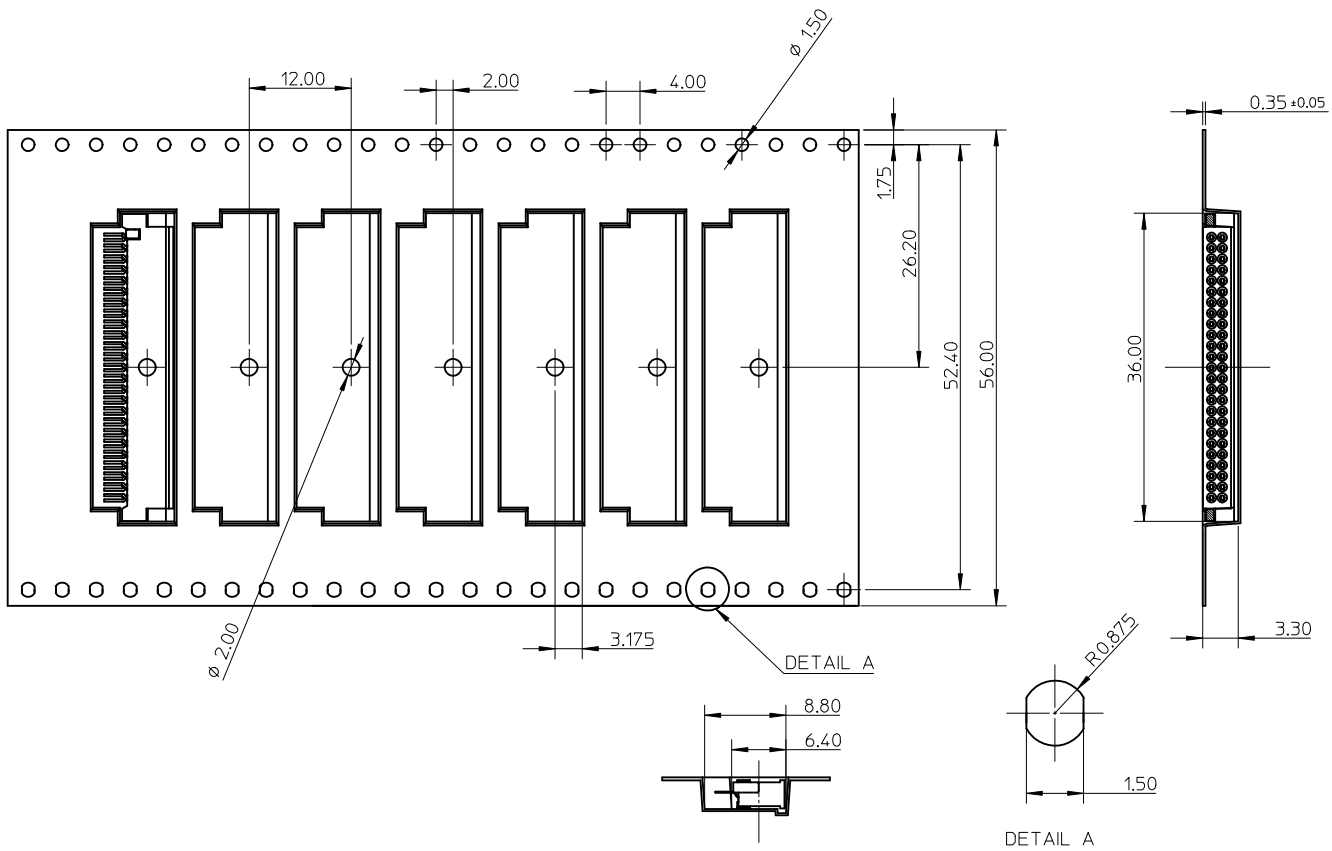
E

D

C

B

A



Note:
 1. Material: Black Conductive Polystyrene.
 2. All dimensions meet EIA-481-B requirements.
 3. Packing length per 13" reel: 19.5 Meters.
 4. Component load per 13" reel: 1000 pcs.

REVISED EC NO: SH2010-0275 DRWN: ZENG CHKD: WFDENG APPR: WFDENG	DESCRIPTION REV	2010/01/08	2010/01/21	2010/01/26	QUALITY SYMBOLS ▽=0 ◻=0	GENERAL TOLERANCES (UNLESS SPECIFIED)		DIMENSION STYLE MM ONLY	SCALE 2:1	DESIGN UNITS METRIC	THIRD ANGLE PROJECTION			
							mm	INCH	DRAWN BY B. CHU	DATE 2003/02/20	TITLE 50 CKT CF RECEPTACLE SMT TYPE B, OFFSET 0.20MM			
							4 PLACES	± ---	± ---	CHECKED BY W. CHANG	DATE 2003/02/20	MOLEX INCORPORATED		
							3 PLACES	± ---	± ---	APPROVED BY WFDENG	DATE 2010/01/21	MATERIAL NO. SEE SHEET 1	DOCUMENT NO. SD-67799-004	SHEET NO. 2 OF 2
				2 PLACES	± 0.25	± ---	ANGULAR ± 3 °		THIS DRAWING CONTAINS INFORMATION THAT IS PROPRIETARY TO MOLEX INCORPORATED AND SHOULD NOT BE USED WITHOUT WRITTEN PERMISSION					
				1 PLACE	± 0.25	± ---	DRAFT WHERE APPLICABLE MUST REMAIN WITHIN DIMENSIONS							

9 8 7 6 5 4 3 2 1