

PLEASE CHECK WWW.MOLEX.COM FOR LATEST PART INFORMATION

Part Number: **0672982090**

Status: **Active**

Description: Universal Serial Bus (USB) Shielded I/O Receptacle, Right Angle, Dual Stacked, Type A, Gold (Au) Flash, Black Housing, with 2 Beveled Metal Pins, Tray Package, Lead Free

Documents:

[3D Model](#)

[Test Summary \(PDF\)](#)

[Drawing \(PDF\)](#)

[Product Specification PS-67298-002 \(PDF\)](#)

[RoHS Certificate of Compliance \(PDF\)](#)

General

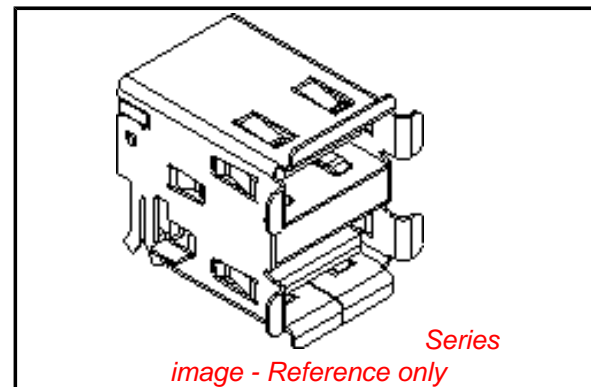
Product Family	I/O Connectors
Series	67298
Application	Wire-to-Board
Comments	2 Beveled Metal Pins
Component Type	Receptacle
Product Name	USB
Type	A

Physical

Boot Color	N/A
Circuits (Loaded)	8
Circuits (maximum)	8
Gender	Receptacle
Keying to Mating Part	Yes
Lock to Mating Part	Yes
Material - Plating Mating	Gold
Material - Plating Termination	Tin
Number of Rows	2
Orientation	Right Angle
PC Tail Length (in)	0.079 In
PC Tail Length (mm)	2.00 mm
PCB Locator	Yes
PCB Retention	Yes
PCB Thickness Recommended (in)	0.047 In
PCB Thickness Recommended (mm)	1.20 mm
Packaging Type	Tray
Panel Mount	Yes
Pitch - Mating Interface (in)	0.079 In, 0.098 In
Pitch - Mating Interface (mm)	2.00 mm, 2.50 mm
Pitch - Term. Interface (in)	0.079 In, 0.098 In
Pitch - Term. Interface (mm)	2.00 mm, 2.50 mm
Polarized to Mating Part	Yes
Polarized to PCB	Yes
Ports	2
Surface Mount Compatible (SMC)	No
Temperature Range - Operating	0°C to +50°C
Termination Interface: Style	Through Hole
Waterproof / Dustproof	No

Electrical

Current - Maximum per Contact	1.5A
Shield Type	Full Shield
Shielded	Yes
Voltage - Maximum	30V DC



EU RoHS

**ELV and RoHS
Compliant**
REACH SVHC
Not Reviewed
**Halogen-Free
Status**
Not Reviewed

China RoHS



**Need more information on product
environmental compliance?**

Email productcompliance@molex.com
For a multiple part number RoHS Certificate of
Compliance, [click here](#)

Please visit the [Contact Us](#) section for any
non-product compliance questions.

Search Parts in this Series

[67298Series](#)

Mates With

USB Type A Plug

Material Info

Reference - Drawing Numbers

Product Specification

PS-67298-002

Sales Drawing

SD-67298-007

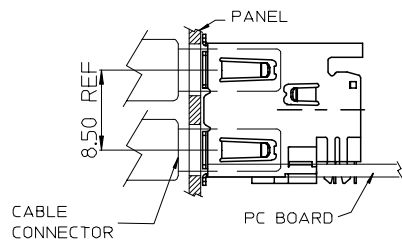
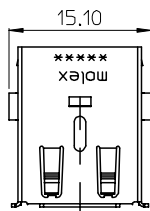
This document was generated on 03/31/2010

PLEASE CHECK WWW.MOLEX.COM FOR LATEST PART INFORMATION

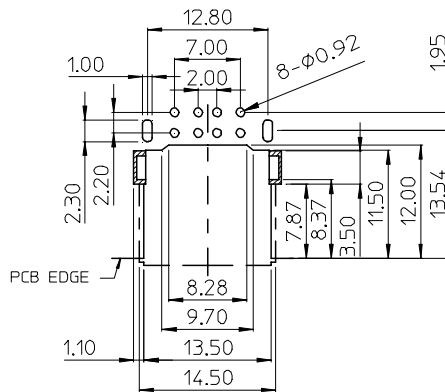
7 6 5 4 3 2 1

E

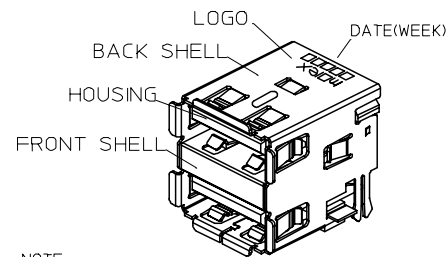
E



RECESSED MOUNTING CONFIGURATION

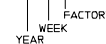


RECOMMENDED PCB LAYOUT COMPONENT SIDE VIEW



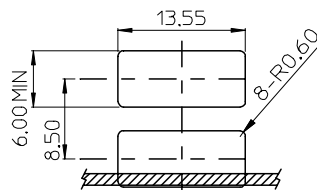
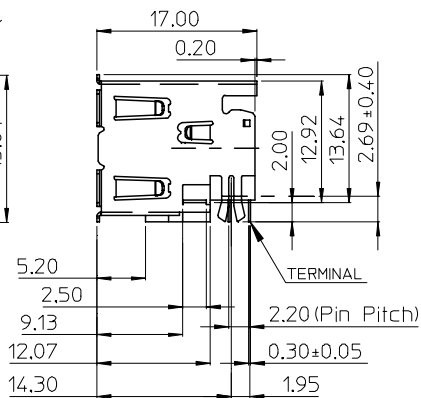
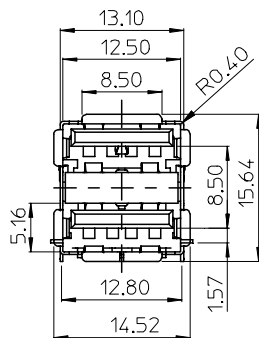
NOTE:

- MATERIAL:
HOUSING: NYLON GLASS-FIBER REINFORCED, UL94-V0, COLOR: BLACK.
TERMINAL: PHOSPHOR BRONZE.
METAL SHELL: FRONT SHELL: SUS 304
BACK SHELL: BRASS
- PLATING:
TERMINAL:
CONTACT AREA: SEE TABLE
SOLDER TAIL: TIN PLATED (Sn) ALLOY, THICKNESS=75 MICROINCH MIN.
UNDERPLATE: NICKEL (Ni), THICKNESS=50 MICROINCH MIN.
SURFACE APPEARANCE: BRIGHT.
METAL SHELL:
TIN PLATED (Sn) AT SOLDER AREA
THICKNESS=100 MICROINCH MINIMUM.
UNDER PLATE: NICKEL (Ni), (SOLDERING AVAILABLE)
THICKNESS=50 MICROINCH MINIMUM.
SURFACE APPEARANCE: BRIGHT.
- RECOMMENDED PCB THICKNESS: 1.20±0.05MM
- PRODUCT SPECIFICATION: REFER TO PS-67998-002
- TEST SUMMARY: REFER TO TS-67298-007
- PACKAGING SPECIFICATION:
REFER TO PK-67298-003 FOR TRAY,
REFER TO PK-67298-004 FOR TAPE & REEL.
- LEAD FREE AND ROHS COMPLIANCE PRODUCT
- FOR IR REFLOW PROCESS
- WEEK CODE XXXXX



D

D



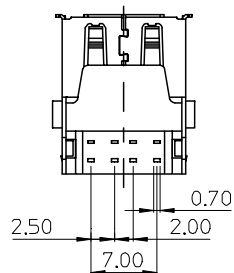
MOUNTING PANEL CUTOUT (INTERNAL SIDE)

C

C

B

B



PART NUMBER LEGEND

P/N	CONTACT PLATING	PACKAGE
67298-2090	GOLD FLASH	TRAY
67298-2091	30 MICROINCH GOLD	TRAY
67298-2190	GOLD FLASH	TAPE & REEL
67298-2191	30 MICROINCH GOLD	TAPE & REEL

L/F FOR 67298	DESCRIPTION
EC NO: SH20050529297	2005/05/06
DRWN: JCHEN12	2005/05/10
CHKD: CHKD:	2005/05/10
APP: WWSCHANG	2005/05/10
REV	

QUALITY SYMBOLS	DESCRIPTION
▽=0	
∇=0	

GENERAL TOLERANCES (UNLESS SPECIFIED)	DIMENSION STYLE	
	MM ONLY	SCALE
4 PLACES ± --- ± ---	DATE	TITLE
3 PLACES ± --- ± ---	05/04/18	USB DUAL STACKED A CONNECTOR (LEAD FREE VERSION)
2 PLACES ± 0.25 ± ---	DATE	
1 PLACE ± 0.25 ± ---	05/04/18	
ANGULAR ± 3 °	DATE	
	05/04/18	

DRAWN BY	DATE
IVY-LIN	05/04/18
CHECKED BY	DATE
ALLEN	05/04/18
APPROVED BY	DATE
WWSCHANG	05/04/18
MATERIAL NO.	DOCUMENT NO.
	SD-67298-007

SCALE	DESIGN UNITS	THIRD ANGLE PROJECTION
	METRIC	
MOLEX INCORPORATED		
SIZE	SHEET NO.	
A4	1 OF 1	

DRAFT WHERE APPLICABLE MUST REMAIN WITHIN DIMENSIONS

THIS DRAWING CONTAINS INFORMATION THAT IS PROPRIETARY TO MOLEX INCORPORATED AND SHOULD NOT BE USED WITHOUT WRITTEN PERMISSION

A

A

6

5

4

3

2

1