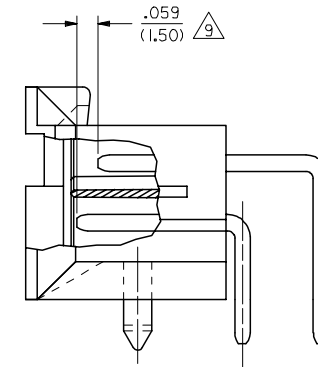
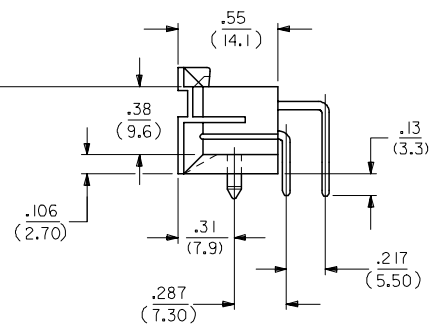
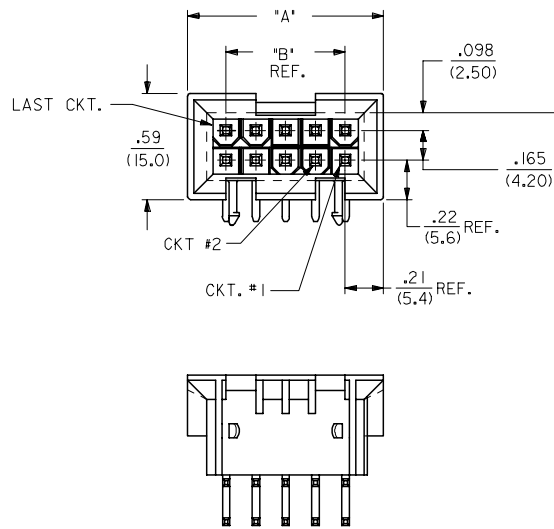
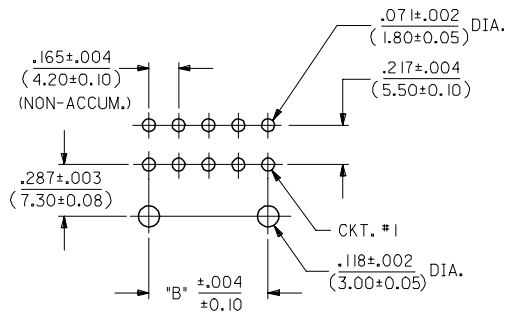
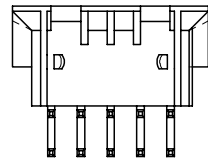


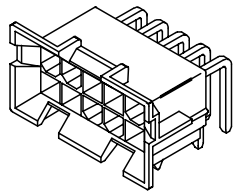
CIRCUIT SIZE	DIM. 'A'	DIM. 'B'
2	—	—
4	.59 (15.0)	.165 (4.20)
6	.76 (19.2)	.331 (8.40)
8	.92 (23.4)	.496 (12.60)
10	1.09 (27.6)	.661 (16.80)
12	1.25 (31.8)	.827 (21.00)
14	1.42 (36.0)	.992 (25.20)
16	1.58 (40.2)	1.157 (29.40)
18	1.75 (44.4)	1.323 (33.60)
20	1.91 (48.6)	1.488 (37.80)
22	2.08 (52.8)	1.654 (42.00)
24	2.24 (57.0)	1.819 (46.20)



SCALE 4:1



RECOMMENDED HOLE LAYOUT FOR
.070/(1.78) MAX. THICK P.C. BOARD
VIEWED FROM COMPONENT SIDE



A-44499-*

NOTES:

- MATERIAL:
HOUSING: "A" = NYLON 6/6, UL 94V-2, COLOR: NATURAL
"B" = NYLON 6/6, UL 94V-0, COLOR: NATURAL
TERMINALS: BRASS
- TERMINAL PLATING:
A = .000100/(.00254) MIN. BRIGHT TIN OVER
.000050/(.00127) MIN. NICKEL OVERALL.
B = .000030/(.00076) MIN. GOLD OVER
.000050/(.00127) MIN. NICKEL OVERALL.
C = .000030/(.00076) MIN. SELECT GOLD AND
.000100/(.00254) MIN. MATTE TIN OVER
.000050/(.00127) MIN. NICKEL OVERALL.
- PRODUCT SPECIFICATION: PS-5556-002
- PACKAGING: TRAY PACKED PER MOLEX SPECIFICATION PK-42404-002.
- PART MATES WITH MINI-FIT JR. RECEPTACLE 42385 AND 42474.
- PART ALLOWS FOR UP TO .100/(2.54) MISALIGNMENT WITH MATING RECEPTACLE IN ANY DIRECTION. SEE MATING CONNECTOR DRAWINGS FOR SPECIFIC ALLOWANCES.
- PART IS NOT DESIGNED FOR CURRENT SHARING.
- CONNECTOR ASSEMBLIES ARE NOT TO BE MATED OR UNMATED WHILE CIRCUITS ARE LIVE.
- CIRCUITS SHOWN PROVIDE THE "MAKE-FIRST/BREAK-LAST" FEATURE.
- PART CONFORMS TO CLASS B OF COSMETIC SPECIFICATION PS-45499-002.

4	C1
3	C1
2	C1
1	C1
SHT.	REV.

ADD P/N	FEC NO.	DRAWN BY	DATE	TITLE	GENERAL TOLERANCES (UNLESS SPECIFIED)		DIMENSION STYLE		SCALE	DESIGN UNITS	THIRD ANGLE PROJECTION
					mm	INCH	IN/MM	METRIC			
44499-0099	UCP2007-2017	AFG	09/13/94	SELECTIVELY-LOADED RT ANGLE DUAL ROW HEADER (MATE-FIRST/BREAK-LAST)	4 PLACES	± .010	IN/MM	2:1	METRIC	⊗	
2007/02/15	2007/02/16	RJF	09/13/94	MOLEX INCORPORATED	3 PLACES	± .015					
2007/02/16	2007/02/16	RJF	09/13/94		2 PLACES	± 0.25					
2007/02/16	2007/02/16	RJF	09/13/94		1 PLACE	± 0.38					
					ANGULAR ±1/2°						
DRAFT WHERE APPLICABLE MUST REMAIN WITHIN DIMENSIONS					SEE CHART		MATERIAL NO.		DOCUMENT NO.		
C1					C		SDA-44499-*		SHEET NO. 1 OF 4		
					THIS DRAWING CONTAINS INFORMATION THAT IS PROPRIETARY TO MOLEX INCORPORATED AND SHOULD NOT BE USED WITHOUT WRITTEN PERMISSION						

	13		12		11		10		9		8		7		6		5		4		3		2		1	
	ITEM NO.	CKT. SIZE	CHARACTERISTIC DESCRIPTION		LETTER INDICATES PIN PLATING AND LENGTH REQUIRED AT EACH CIRCUIT LOCATION. SEE NOTE 2 ON SHEET 1.																					
			1	2	3	4	5	6	7	8	9	10	11	12	13	14	15	16	17	18	19	20	21	22	23	24
J	44499-0072	18	18BB	BS	BS	BS	BM	BM	BM	BM	BS	BS	BM	BM	BM	BM	BM	BM	BM	BS	-	-	-	-	-	-
	44499-0073	06	06BB	BS	BM	BM	BM	BM	BM	-	-	-	-	-	-	-	-	-	-	-	-	-	-	-	-	-
	44499-0074	10	10BB	BM	BS	BS	BS	BM	BM	BM	BS	BM	BM	-	-	-	-	-	-	-	-	-	-	-	-	-
	44499-0075	18	18AA	AM	AS	AS	AS	AS	AS	AS	AS	AS	AS	AS	AS	AS	AS	AS	AS	AS	AM	-	-	-	-	-
I	44499-0076	24	24AA	AM	AM	AM	AM	AM	AM	AM	AM	AM	AM	AM	AM	AM	AM	AM	AM	AM	AM	AM	AM	AM	AM	AM
	44499-0077	24	24BB	BS	BS	BS	BS	BS	BS	BS	BS	BS	BS	BS	BS	BS	BS	BS	BS	BS	BS	BS	BS	BM	BS	BM
	44499-0078	18	18BB	BS	BM	BM	BM	BM	BM	BM	BM	BM	BM	BM	BM	BM	BM	BM	BM	BM	BM	-	-	-	-	-
	44499-0079	24	24BB	BM	BM	BM	BM	BM	BM	BM	BM	BM	BM	BM	BM	BM	BM	BM	BM	BM	BM	BM	BM	BS	BM	BM
H	44499-0081	24	24BA	AS	AS	AS	AS	AS	AS	AS	AS	AS	AS	AS	AS	AS	AS	AS	AS	AS	AS	AS	AS	AS	AS	AS
	44499-0082	24	24BB	BM	BM	BM	BM	BS	BS	BS	BS	BS	BS	BS	BS	BS	BS	BS	BS	BS	BS	BS	BS	BS	BS	BS
	44499-0083	24	24BA	AM	AM	AM	AM	AS	AS	AS	AS	AS	AS	AS	AS	AS	AS	AS	AS	AS	AS	AS	AS	AS	AS	AS
	44499-0084	18	18BB	BM	BM	BM	BM	BS	BM	BM	BM	BM	BM	BM	BM	BS	BM	BM	BM	BM	-	-	-	-	-	-
G	44499-0085	06	06BA	AS	AM	AM	AS	AM	AM	-	-	-	-	-	-	-	-	-	-	-	-	-	-	-	-	-
	44499-0086	18	18BA	AM	AM	AM	AM	AS	AM	AM	AM	AM	AM	AM	AM	AS	AM	AM	AM	AM	-	-	-	-	-	-
	44499-0087	24	24BB	BM	BM	BM	BM	BM	BS	BM	BM	BM	BM	BM	BM	BM	BM	BM	BM	BM	BS	BM	BM	BM	BM	BM
	44499-0088	14	14BA	AS	AS	AS	AS	AM	AS	AM	AM	AS	AS	AS	AS	AS	-	-	-	-	-	-	-	-	-	-
	44499-0089	10	10BB	BS	BS	BM	BS	BS	BM	BM	BM	BM	BS	-	-	-	-	-	-	-	-	-	-	-	-	-
F	44499-0090	24	24BA	AS	AS	AM	AM	AM	AS	AS	AS	AS	AM	AS	AS	AS	AS	AM	AS	AS	AS	AS	AS	AM	AM	AS
	44499-0091	24	24BA	AM	AM	AM	AM	AM	AM	AM	AM	AM	AM	AM	AM	AM	AM	AM	AS	AS	AM	AM	AM	AM	AM	AM
	44499-0092	04	04BA	AS	AM	AM	AS	-	-	-	-	-	-	-	-	-	-	-	-	-	-	-	-	-	-	-
	44499-0093	04	04BB	BS	BM	BM	BS	-	-	-	-	-	-	-	-	-	-	-	-	-	-	-	-	-	-	-
E	44499-0094	18	18BB	BM	BM	BM	BM	BM	BM	BM	BM	BM	BM	BM	BM	BM	BM	BS	BM	-	-	-	-	-	-	-
	44499-0095	18	18BC	CM	CM	CM	CM	CM	CM	CM	CM	CM	CM	CS	CM	CM	CM	CM	CM	-	-	-	-	-	-	-
	44499-0096	24	24AA	AM	AM	V	AM	AM	V	AM	AM	AM	AM	AM	AM	AM	V	AM	AM	V	AM	AM	AM	AM	AM	AM
	44499-0097	14	14BC	CM	CM	CM	CM	CM	CM	CM	CM	CM	CM	CM	CM	CS	-	-	-	-	-	-	-	-	-	-
	44499-0098																									
D	44499-0099	24	24BC	CM	CM	CM	CM	CM	CM	CM	CM	CM	CM	CM	CM	CM	CM	CM	CM	CM	CM	CM	CM	CM	CM	CS

CHARACTERISTICS LEGEND:

CIRCUIT SIZE (02-24) ***

HOUSING MATERIAL

A = NYLON 6/6, U.L. 94V-2, COLOR: NATURAL

B = NYLON 6/6, U.L. 94V-0, COLOR: NATURAL

TERMINAL PLATING

A = 100 m.i. TIN OVERALL

B = 30 m.i. GOLD OVERALL

C = 30 m.i. SELECT GOLD

* = MIXED TIN AND GOLD

TERMINAL PLATING AND LENGTH CODE AS = 100 m.i. TIN, STANDARD LENGTH BS = 30 m.i. GOLD, STANDARD LENGTH CS = 30 m.i. SELECT GOLD, STANDARD LENGTH AM = 100 m.i. TIN, MATE-FIRST/BREAK-LAST BM = 30 m.i. GOLD, MATE-FIRST/BREAK-LAST CM = 30 m.i. SELECT GOLD, MATE-FIRST/BREAK-LAST V = VOID CIRCUIT	QUALITY SYMBOLS 	GENERAL TOLERANCES (UNLESS SPECIFIED) mm INCH 4 PLACES ± --- ± --- 3 PLACES ± --- ± --- 2 PLACES ± --- ± --- 1 PLACE ± --- ± --- ANGULAR ± ---°		DIMENSION STYLE IN/MM	SCALE ---	DESIGN UNITS METRIC	THIRD ANGLE PROJECTION
		SEE SHEET ONE FCC NO: UCP2007-2017 2007/02/15 DRAWN:LSCHMIDT 2007/02/16 CHKD:ADERR 2007/02/16 APPR:FSM TH 2007/02/16 REV: C1	DRAFT WHERE APPLICABLE MUST REMAIN WITHIN DIMENSIONS	DRAWN BY GEP DATE 01/16/03 CHECKED BY YLM DATE 01/16/03 APPROVED BY YLM DATE 01/16/03	SELECTIVELY-LOADED RT ANGLE DUAL ROW HEADER (MATE-FIRST/BREAK-LAST) MOLEX INCORPORATED		MATERIAL NO. SDA-44499-* DOCUMENT NO.