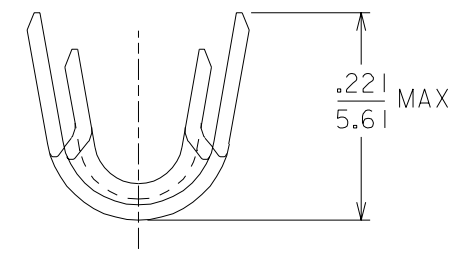
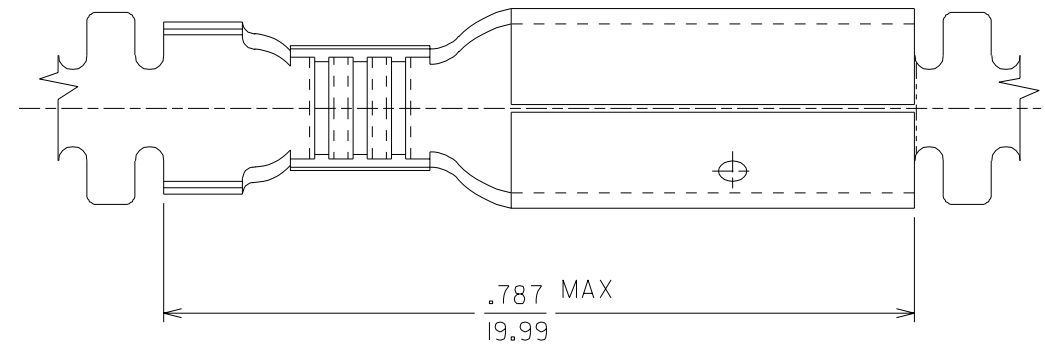
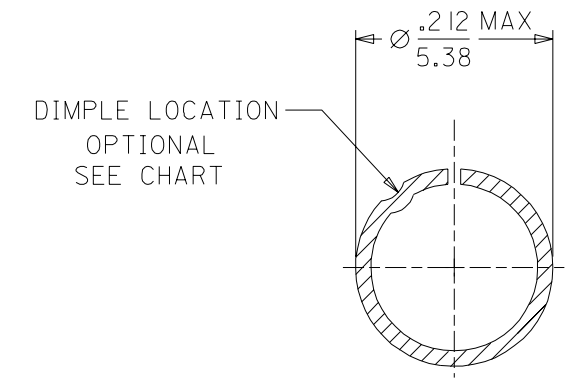
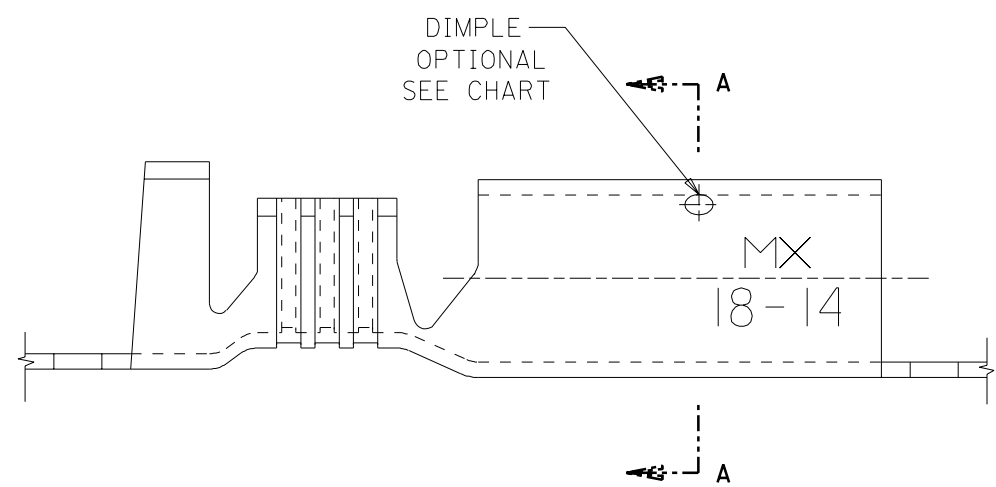


MATERIAL NO.	ENG NUMBER	DESCRIPTION	FINISH
197234400	19723-4400	CONTINUOUS STRIP WITH DIMPLE	UNPLATED
197234401	19723-4401	CONTINUOUS STRIP WITHOUT DIMPLE	
197234402	19723-4402	CONTINUOUS STRIP WITH DIMPLE	ELECTRO-TIN
197234403	19723-4403	CONTINUOUS STRIP WITHOUT DIMPLE	



BACKGROUND OMITTED FOR CLARITY



SECTION A-A  
BACKGROUND OMITTED FOR CLARITY

SALES DRAWING

- NOTES:
- MATERIAL: BRASS
  - FINISH: SEE CHART
  - PACKING QTY. 6000 PER REEL.

NEW RELEASE EC NO. ETC2002-0318 DRWN:HEB 02/08/09 CHK:RWD 02/08/09 APPR:RWD 02/08/09	QUALITY SYMBOLS	GENERAL TOLERANCES: (UNLESS SPECIFIED)		SCALE 5:1	DESIGN UNITS <input type="checkbox"/> mm <input checked="" type="checkbox"/> INCH	THIRD ANGLE PROJECTION <input type="checkbox"/> mm <input checked="" type="checkbox"/> INCH	DIMENSIONS: <input type="checkbox"/> mm <input checked="" type="checkbox"/> INCH <input type="checkbox"/> mm ONLY	SHT	REV
	MAJOR ▽=0	4 PLACES ±0.	mm	INCH	DRAWN BY & DATE BRE 02/06/28	TITLE: SNAP PLUG RECEPTACLE .180 DIA. VIBRAKRIMP 18-14 AWG CHAIN STAMPED			
	CRITICAL △=0	3 PLACES ±0.			CHECKED BY & DATE HEB 02/06/28				
		2 PLACES ±0.			APPROVED BY & DATE RWD 02/06/28	MATERIAL NO. SEE TABLE DRAWING NO. SD-19723-440 SHEET NO. 1 OF 1			
	1 PLACE ±0.			CAD FILENAME SD-19723-440 .DGN					
		ANGULAR: ± °		THIS DRAWING CONTAINS INFORMATION THAT IS PROPRIETARY TO MOLEX INCORPORATED AND SHOULD NOT BE USED WITHOUT WRITTEN PERMISSION.					
		DRAFT WHERE APPLICABLE MUST REMAIN WITHIN DIMENSIONS							