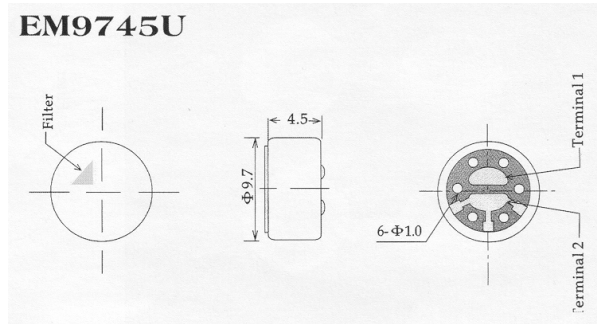
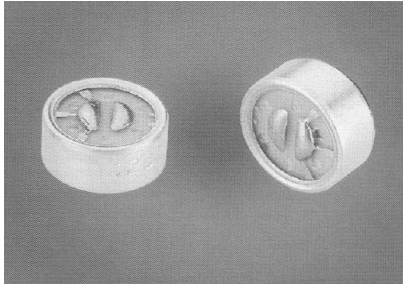


# Soberton Inc.

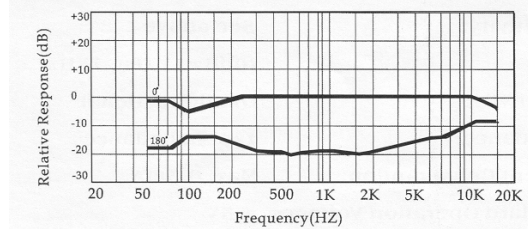
## EM9745U

*Unidirectional Electret Condenser Microphone*

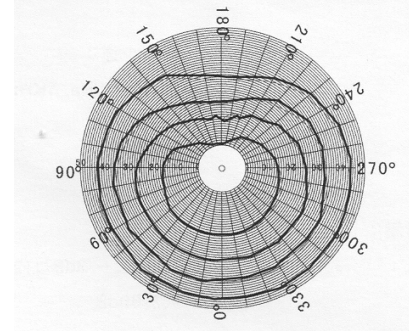


Sensitivity	0dB = 1V/Pa. 1KHz
Directivity	Unidirectional
Impedance	Low Impedance
Current Consumption	Max. 0.5mA
Standard Operation Voltage	1.5V
Sensitivity Reduction	Within -3dB at 1.5V
S/N Ratio	More than 58dB
<b>Sensitivity Range</b>	<b>-47 ± 4dB, -51 ± 4dB</b>

### Typical Frequency Response Curve:



### Angular Response:



### Schematic Diagram:

