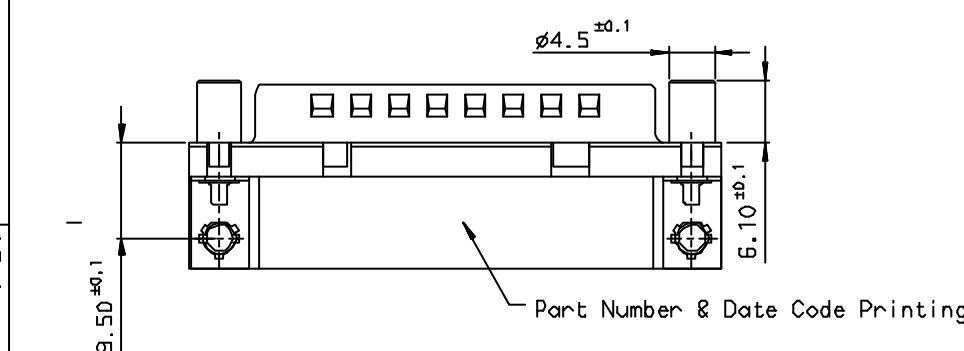
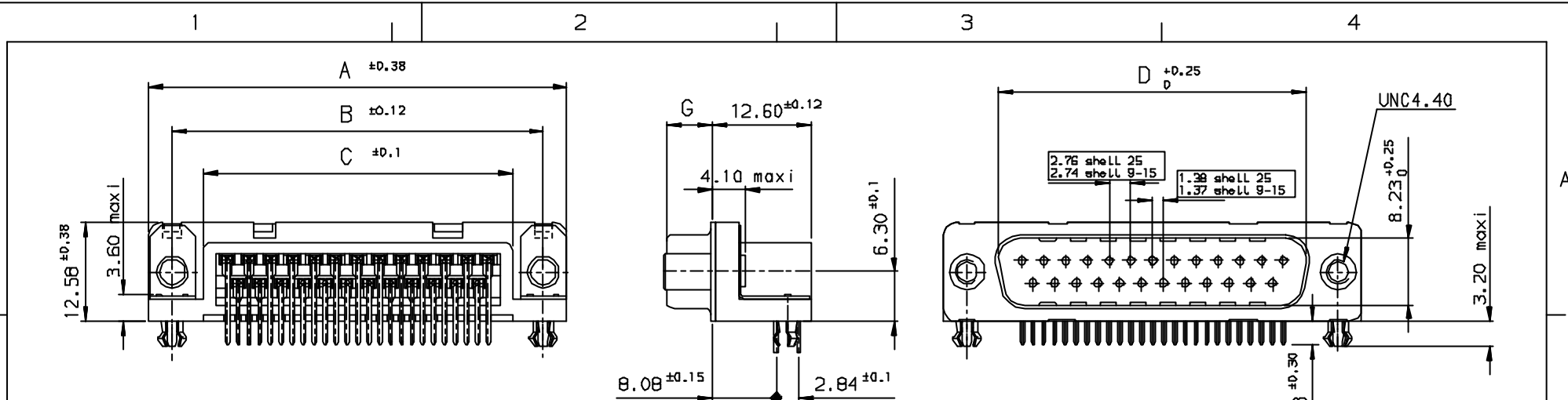


Tous droits strictement réservés. Reproduction ou communication à des tiers interdites sans autorisation écrite de la Direction des Conception et de la Production. Propriété de FCI. Droits de reproduction FCI.

FCI

All rights strictly reserved. Reproduction or communication to third parties in any form without the written authorization of the Design and Production Department. Property of FCI. Copyright FCI.

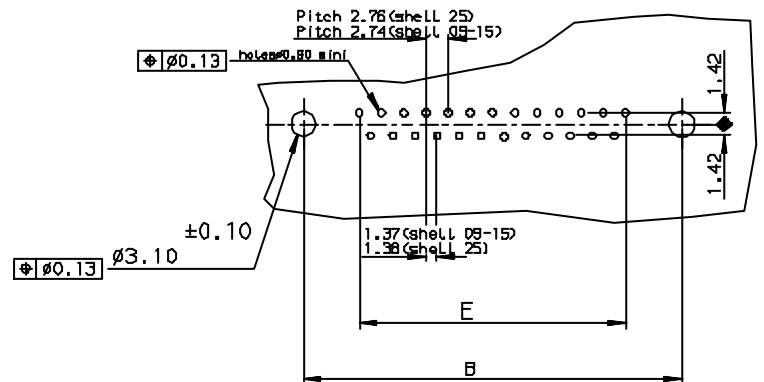


PC card drilling dimensions (after plating)
(thickness 1.60 ± 0.20mm)

PuLL Parts							
SHELL	A ±0.38	B ±0.12	C ±0.10	D ±0.25	E ±0.07	G ±0.25	PART NUMBER
09	30.81	24.99	16.96	16.79	10.96	5.90	D09P33E4GV00**
15	39.14	33.32	25.18	25.12	19.18	5.90	D15P33E4GV00**
25	53.03	47.04	39.12	38.84	33.12	5.70	D25P33E4GV00**

GENERAL CHARACTERISTICS - SEE DRAWING C01-8545-0000

LF FOR LEAD FREE



d	DATE	REVISION DESCRIPTION
d	27/7/05	LEAD FREE DETAILS ADDED
INDEX	DATE	REVISION DESCRIPTION

Utr	Eon no	Dr	date
d	105-0124	J5	27/7/05

Dr JOHN SLEEBA		7/4/03	Product Family	II-SUB	Tolerance	Projection	Size	Scale
Eng GEORGE VJ		7/4/03	Spec ref		LINEAR ±0.1	ANGULAR ±1°	A3	MM
Chr GEORGE VJ		27/7/05	Material					
Appr K Somasundaram		27/7/05						
FCI		Title		Dwg no		Rev.		
		MALE CONNECT. DELTA D right angle screwlock, harpoon & metal plate		C01-8545-0151		d		
Catalog no		DELTA-D		CUSTOMER COPY		Sheet 1 of 1		