

New Jersey Semi-Conductor Products, Inc.

20 STERN AVE.
 SPRINGFIELD, NEW JERSEY 07081
 U.S.A.

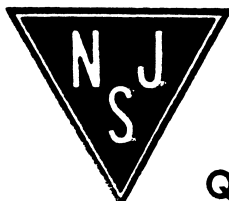
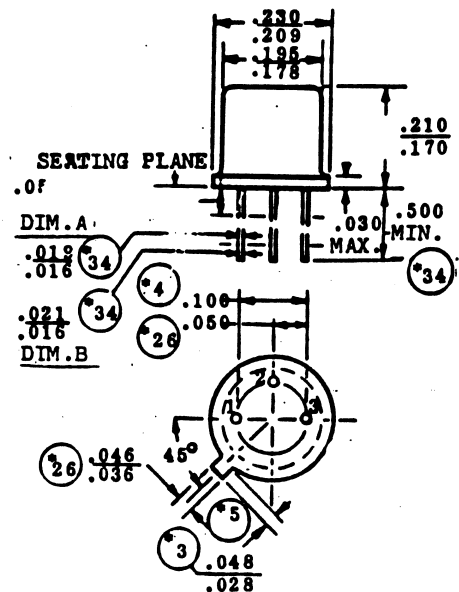
TELEPHONE: (973) 376-2922
 (212) 227-6005
 FAX: (973) 376-8960

PARAMETERS

2N4382
 P-CHANNEL JFET

Description: P-Channel JFET

| | |
|---------------------------------|-------|
| Manufacturer | |
| Mil/High-Rel? (Y/N) | |
| Vbr GSS | 25 |
| Idss Max. (A) | 30m |
| gfs Min. | 4.0m |
| gfs Max. | 8.0m |
| Vp Max. | 9.0 |
| @Vds (V) | 15 |
| Igss Max. (A) | 1.0n |
| Ciss Max. (F) | 20p |
| Vbr DSS | 25 |
| Max. PD (W) | 300m |
| Derate (Amb) (W/xC) | 2.0m |
| Oper. Pwr Out Typ | |
| Oper. Temp (x C) Max | 175u |
| Pkg Style | T0-18 |
| Surface Mounted (Y/N) | N |
| Pinout Equivalence Number | 3-19 |



Quality Semi-Conductors