

PLEASE CHECK WWW.MOLEX.COM FOR LATEST PART INFORMATION

Part Number: [0760915002](#)
Status: **Active**
Overview: [sfp_stacked_multiport_connectors](#)
Description: Small Form-factor Pluggable Plus (SFP+) Stacked 2-by-2 Multi-Port Connector with 2 Inner Lightpipe Ports, Elastomeric Gasket, 80 Circuits, Tin (Sn) Tails

Documents:

3D Model	Test Summary (PDF)
Application Specification (PDF)	RoHS Certificate of Compliance (PDF)
Drawing (PDF)	

Agency Certification

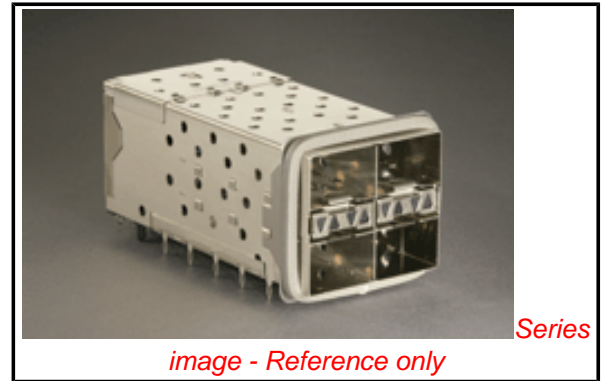
CSA	LR19980
UL	E29179

General

Product Family	I/O Connectors
Series	76091
Application	Module-to-Board
Component Type	Receptacle
Overview	sfp_stacked_multiport_connectors
Product Name	SFP Plus
Type	N/A

Physical

Boot Color	N/A
Circuits (Loaded)	80
Circuits (maximum)	80
Circuits Detail	80
Color - Resin	Black, Clear (Blue Tint)
Durability (mating cycles max)	100
Flammability	94V-0
Gender	Female
Keying to Mating Part	None
Lock to Mating Part	Yes
Material - Metal	High Performance Alloy (HPA)
Material - Plating Mating	Gold
Material - Plating Termination	Tin
Material - Resin	High Temperature Thermoplastic, Polycarbonate
Number of Rows	2
Orientation	Right Angle
PC Tail Length (in)	0.081 In
PC Tail Length (mm)	2.07 mm
PCB Locator	Yes
PCB Retention	Yes
PCB Thickness Recommended (in)	0.062 In
PCB Thickness Recommended (mm)	1.57 mm
Packaging Type	Tray
Panel Mount	No
Pitch - Mating Interface (in)	0.031 In
Pitch - Mating Interface (mm)	0.80 mm
Pitch - Term. Interface (in)	0.031 In
Pitch - Term. Interface (mm)	0.80 mm
Plating min: Mating (µin)	30.4
Plating min: Mating (µm)	0.76
Plating min: Termination (µin)	30.4



EU RoHS
RoHS Compliant by Exemption
REACH SVHC
 Not Reviewed
Halogen-Free
Status
Not Reviewed



Need more information on product environmental compliance?

Email productcompliance@molex.com
 For a multiple part number RoHS Certificate of Compliance, [click here](#)

Please visit the [Contact Us](#) section for any non-product compliance questions.

Search Parts in this Series
[76091Series](#)

Use With
[0759510999 SFP Dust Plug,](#)

Application Tooling | FAQ
Tooling specifications and manuals are found by selecting the products below. Crimp Height Specifications are then contained in the Application Tooling Specification document.

Global	Product #
Description	
SFP Stacked Multi-Port Insertion Tool, 2 by 2	0622029970
SFP Stacked Multi-Port Extraction Tool, 2 by 2	0622029975

Plating min: Termination (μm)	0.76
Polarized to Mating Part	Yes
Polarized to PCB	Yes
Ports	4
Surface Mount Compatible (SMC)	No
Temperature Range - Operating	-40°C to +85°C
Termination Interface: Style	Through Hole - Compliant Pin
Waterproof / Dustproof	No

Electrical

Current - Maximum per Contact	0.5A
Grounding to Panel	None
Shield Type	EMI Gasket
Shielded	Yes
Voltage - Maximum	120V AC (RMS)/DC

Material Info

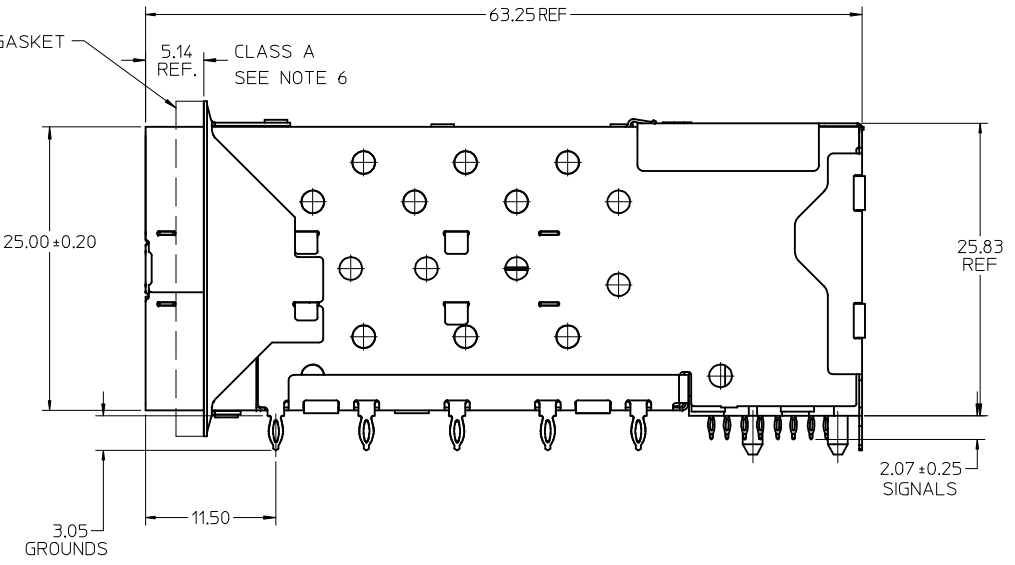
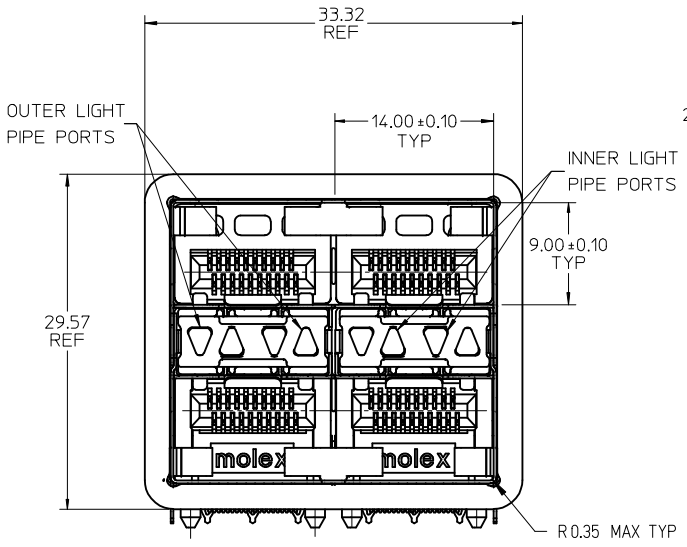
Reference - Drawing Numbers

Packaging Specification	PK-75714-001
Sales Drawing	SD-76091-001

This document was generated on 05/27/2010

PLEASE CHECK WWW.MOLEX.COM FOR LATEST PART INFORMATION

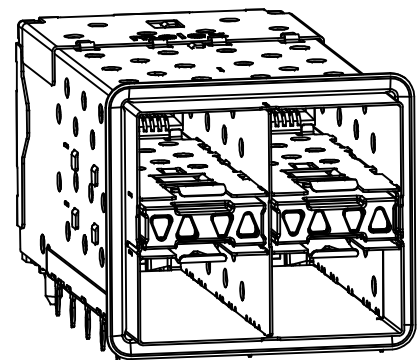
PART NUMBER	DESCRIPTION	VIEW	COMPLIANT TAIL PLATING	CAGE PLATING
760910001	4 LIGHT PORTS	SEE PG 2	TIN / LEAD	N/A
760910002	INNER 2 PORTS	SEE PG 2	TIN / LEAD	N/A
760910003	OUTER 2 PORTS	SEE PG 2	TIN / LEAD	N/A
760915001	4 LIGHT PORTS	SEE PG 2	TIN	N/A
760915002	INNER 2 PORTS	SEE PG 2	TIN	N/A
760915003	OUTER 2 PORTS	SEE PG 2	TIN	N/A



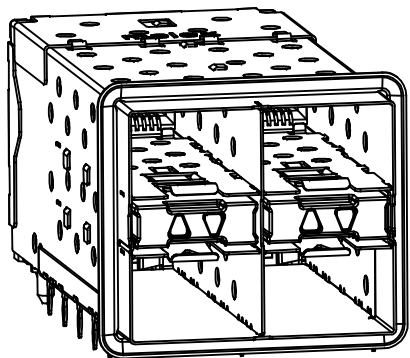
- NOTES
- MATERIAL:
 - CAGE: NICKEL SILVER, THICKNESS: 0.25mm
 - CAGE FLANGE: STAINLESS STEEL
 - EMI GASKET: CONDUCTIVE POLYMER
 - CONNECTOR HOUSING: GLASS FILLED HIGH TEMP PLASTIC, 94 V-0 COLOR BLACK
 - OVERMOLDED TERMINALS HOUSING: GLASS FILLED HIGH TEMP PLASTIC, 94 V-0, COLOR: BLACK
 - TERMINALS: TIN BRASS
 - LIGHT PIPES: POLYCARBONITE, 94 V-0, COLOR: CLEAR
 - LIGHT PIPE HOUSING: ZINC
 - FINISH:
 - LIGHT PIPE HOUSING: 150 MICRONS NICKEL OVER 150 MICRONS COPPER
 - TERMINAL: CONTACT AREA: 0.76 MICRONS MIN, HARD GOLD OVER 1.27 MICRONS MIN, NICKEL.
 - COMPLIANT TAIL - TIN/LEAD OPTION: 0.76 - 1.52 MICRONS 90/10 TIN/LEAD OVER 0.76 - 1.52 MICRONS NICKEL
 - COMPLIANT TAIL - TIN OPTION: 0.76 - 1.52 MICRONS TIN OVER 0.76 - 1.52 MICRONS NICKEL
 - REFER TO PS-75310-001 PROTECT SPEC FOR ALL ELECTRICAL, MECHANICAL, AND ENVIRONMENTAL SPECIFICATIONS.
 - LIGHT PIPE PAD LAYOUT IS FOR 0805 LOW-PROFILE LED PACKAGE, FOR OTHER RECOMMENDED LAYOUTS REFER TO MOLEX'S REPORT TS-75310-001.
 - REFER TO PK-75714-001 FOR ALL PACKAGING SPECIFICATIONS.
 - ALL EXTERIOR SURFACES TO BE A CLASS "B" SURFACE EXCEPT THE UNDER SIDE OF THE CAGE WHERE THE PCB WOULD BE LOCATED AND AS NOTED. THE SURFACES TO CONFORM TO THE MOLEX COSMETIC DOC PS-45499-002.

ADD KEEP-OUT ZONES EC NO: UCP2009-1356 DRWN:MSI BARRA 2009/08/04 CHKD:BBARKER 2009/08/06 APPR:SMILLER 2009/08/06	QUALITY SYMBOLS ∇=0 ∇=0 ∇=0	GENERAL TOLERANCES (UNLESS SPECIFIED)		DIMENSION STYLE MM ONLY	SCALE 3:1	DESIGN UNITS METRIC	THIRD ANGLE PROJECTION	
		4 PLACES ± --- ± --- 3 PLACES ± --- ± --- 2 PLACES ± 0.13 ± --- 1 PLACE ± 0.25 ± ---	mm INCH	DRAWN BY DATE JJANTELEZ10 01-18-2007	TITLE STACKED SFP+ 2X2 ASSY WITH ELASTOMERIC GASKET AND LIGHTPIPES			
		ANGULAR ± 5 °		CHECKED BY DATE MSANDBERG 01-18-2007	MOLEX INCORPORATED			
		DRAFT WHERE APPLICABLE MUST REMAIN WITHIN DIMENSIONS		APPROVED BY DATE RNELSON 01-18-2007	MATERIAL NO. SEE CHART	DOCUMENT NO. SD-76091-001	SHEET NO. 1 OF 4	

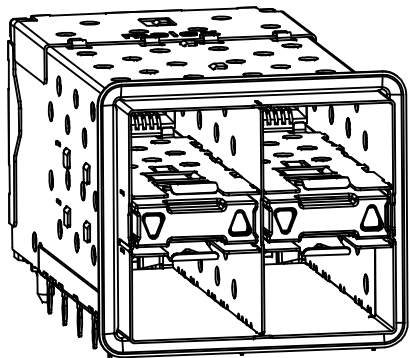
THIS DRAWING CONTAINS INFORMATION THAT IS PROPRIETARY TO MOLEX INCORPORATED AND SHOULD NOT BE USED WITHOUT WRITTEN PERMISSION



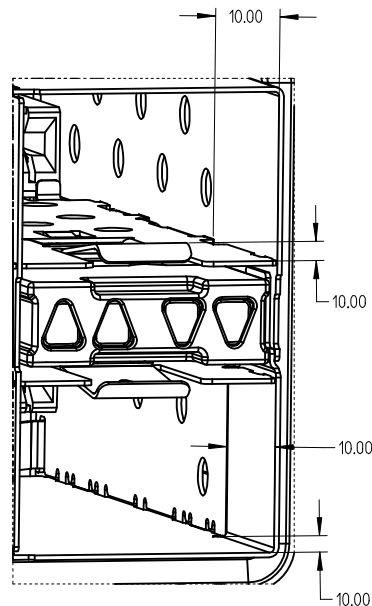
760910001 & 760915001
WITH INNER & OUTER LIGHT PIPE PORTS



760910002 & 760915002
WITH INNER LIGHT PIPE PORTS

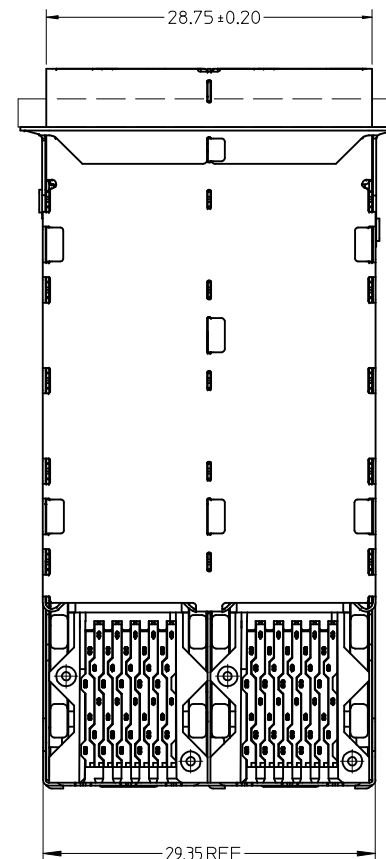


760910003 & 760915003
WITH OUTER LIGHT PIPE PORTS

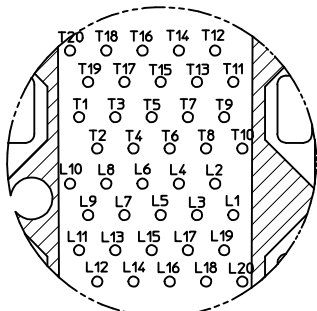


PORT DETAIL

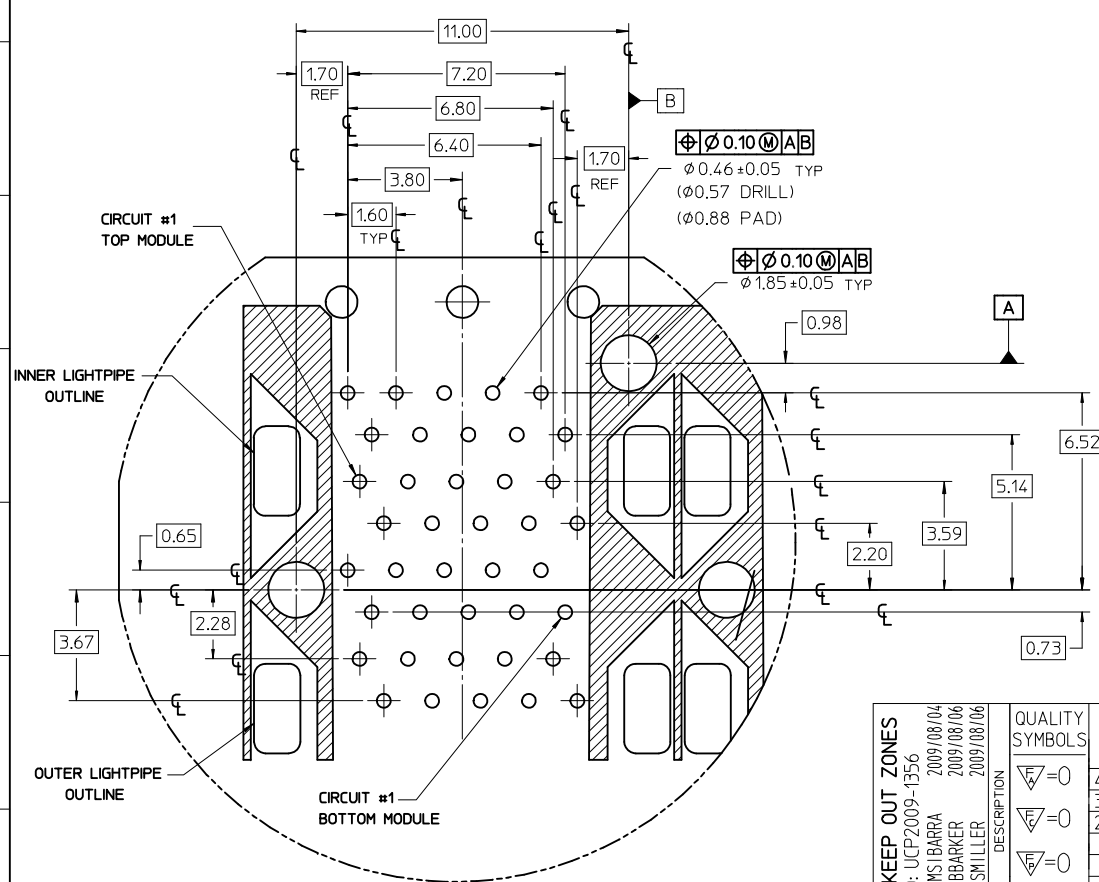
10.00mm AREA SETBACK IN CAGE IS TO BE FREE OF ANY HOLES, DIMPLES, SEAMS OR ANY OTHER FEATURE.
(4 SIDES PER PORT)



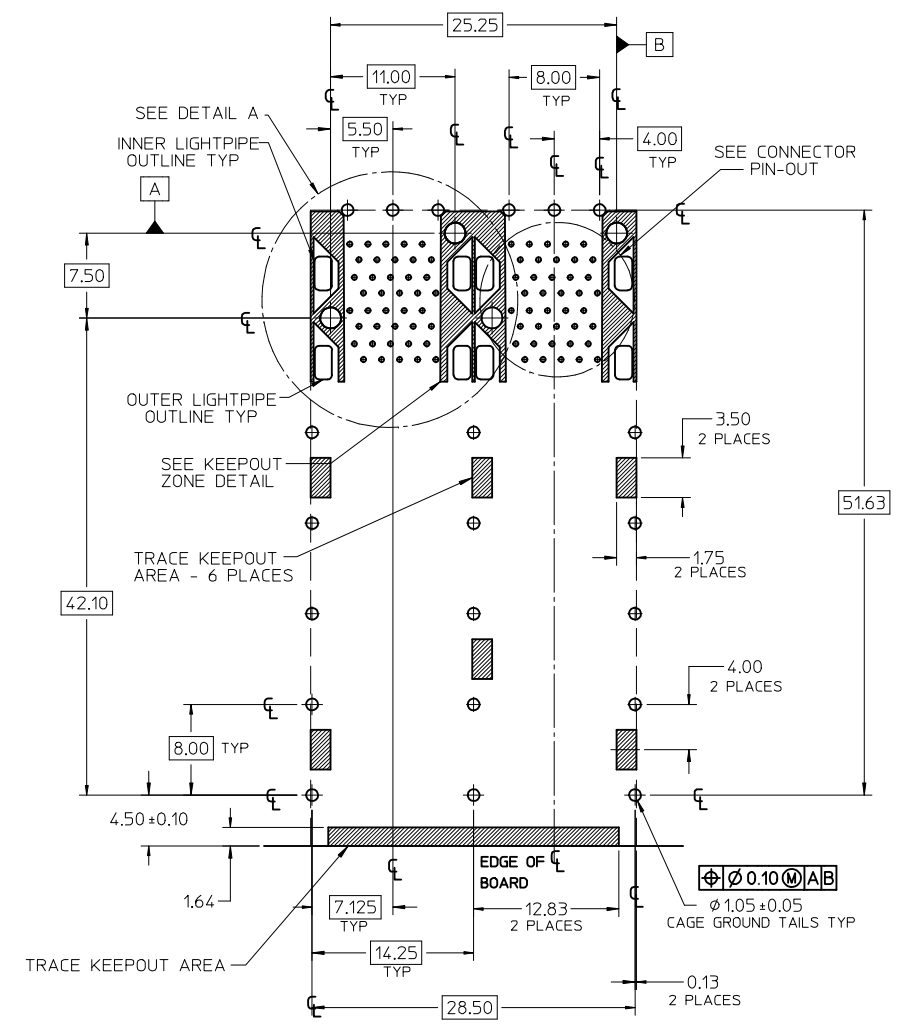
SEE SHEET 1 EC NO: UCP2009-1356 DRAWN:SI BARRA 2009/08/04 CHKD:BBARKER 2009/08/06 APPR:SMILLER 2009/08/06	QUALITY SYMBOLS	GENERAL TOLERANCES (UNLESS SPECIFIED)		DIMENSION STYLE	SCALE	DESIGN UNITS	THIRD ANGLE PROJECTION
	▽=0	mm	INCH	MM ONLY	3:1	METRIC	
	▽=0	4 PLACES ± --- ± ---		DRAWN BY DATE	TITLE		
	▽=0	3 PLACES ± --- ± ---		JJANTELEZIO 01-18-2007	STACKED SFP+ 2X2 ASSY WITH ELASTOMERIC GASKET AND LIGHTPIPES		
		2 PLACES ± 0.13 ± ---		CHECKED BY DATE	MOLEX INCORPORATED		
		1 PLACE ± 0.25 ± ---		MSANDBERG 01-18-2007	DOCUMENT NO. SD-76091-001		
			ANGULAR ± 5 °	APPROVED BY DATE	SHEET NO. 2 OF 4		
				RNELSON 01-18-2007	THIS DRAWING CONTAINS INFORMATION THAT IS PROPRIETARY TO MOLEX INCORPORATED AND SHOULD NOT BE USED WITHOUT WRITTEN PERMISSION		
				MATERIAL NO.			
				SEE CHART			
				SIZE			



CONNECTOR PIN-OUT
COMPONENT SIDE OF BOARD

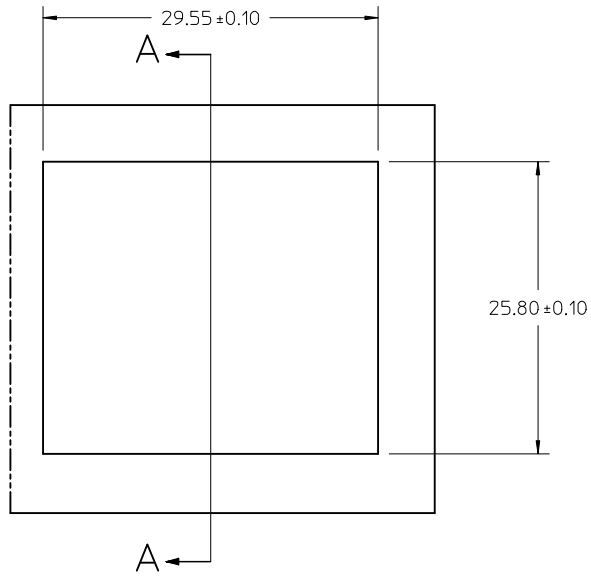


DETAIL A
SCALE 8:1

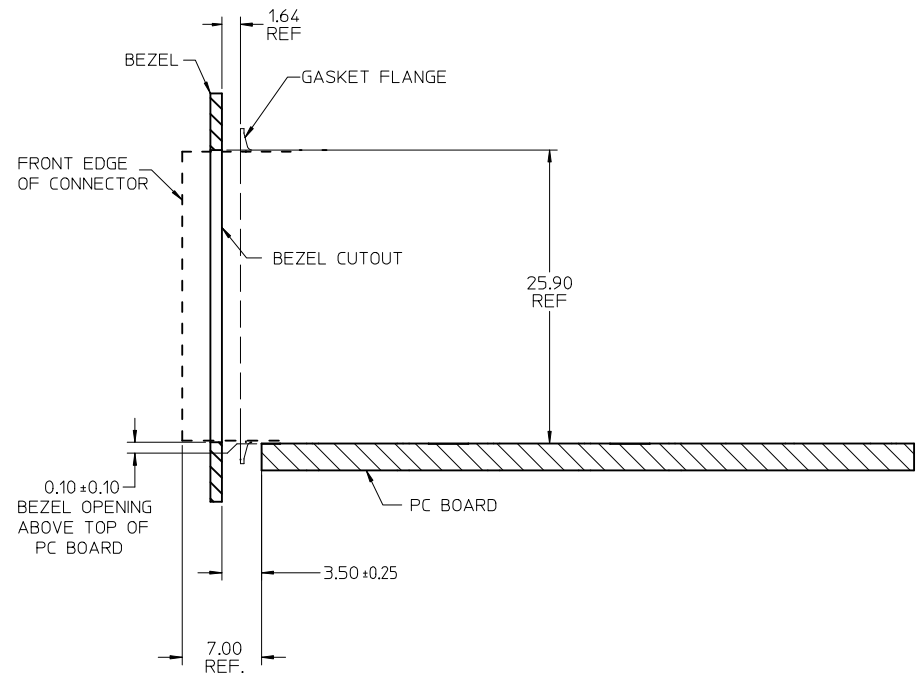


RECOMMENDED PCB LAYOUT - COMPONENT SIDE
 RECOMMENDED PCB THICKNESS - 2.36 MM (.093 INCH)
 THE ENTIRE AREA OF THE CONNECTOR FOOTPRINT
 TO BE CONSIDERED THE KEEP OUT AREA FOR COMPONENTS
 (OTHER THAN THE LIGHTPIPE LED'S)
 THIS AREA IS INDICATED BY THE DASHED LINE

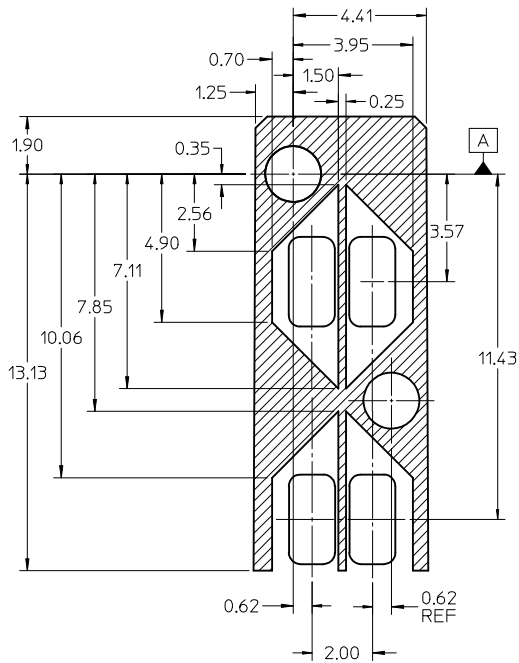
ADD KEEP OUT ZONES EC NO: UCP2009-1356 DRWN:MSI BARRA 2009/08/04 CHKD:BBARKER 2009/08/06 APPR:SMILLER 2009/08/06	QUALITY SYMBOLS $\nabla=0$ $\nabla=0$ $\nabla=0$	GENERAL TOLERANCES (UNLESS SPECIFIED) <table border="1"> <tr> <th></th> <th>mm</th> <th>INCH</th> </tr> <tr> <td>4 PLACES</td> <td>$\pm .13$</td> <td>$\pm .005$</td> </tr> <tr> <td>3 PLACES</td> <td>$\pm .15$</td> <td>$\pm .006$</td> </tr> <tr> <td>2 PLACES</td> <td>± 0.13</td> <td>$\pm .005$</td> </tr> <tr> <td>1 PLACE</td> <td>± 0.25</td> <td>$\pm .010$</td> </tr> </table>		mm	INCH	4 PLACES	$\pm .13$	$\pm .005$	3 PLACES	$\pm .15$	$\pm .006$	2 PLACES	± 0.13	$\pm .005$	1 PLACE	± 0.25	$\pm .010$	DIMENSION STYLE MM ONLY DRAWN BY DATE JJANTELEZIO 01-18-2007 CHECKED BY DATE MSANDBERG 01-18-2007 APPROVED BY DATE RNELSON 01-18-2007	SCALE 3:1 DESIGN UNITS METRIC	THIRD ANGLE PROJECTION
		mm	INCH																	
	4 PLACES	$\pm .13$	$\pm .005$																	
	3 PLACES	$\pm .15$	$\pm .006$																	
2 PLACES	± 0.13	$\pm .005$																		
1 PLACE	± 0.25	$\pm .010$																		
MATERIAL NO. SEE CHART	DOCUMENT NO. SD-76091-001	SHEET NO. 3 OF 4	MOLEX INCORPORATED																	
DRAFT WHERE APPLICABLE MUST REMAIN WITHIN DIMENSIONS	THIS DRAWING CONTAINS INFORMATION THAT IS PROPRIETARY TO MOLEX INCORPORATED AND SHOULD NOT BE USED WITHOUT WRITTEN PERMISSION																			



BEZEL CUT-OUT CENTER SPACING DETAIL
BEZEL THICKNESS: 0.8 - 2.6



SECTION A-A



DETAIL - LIGHTPIPE LOCATION AND OTHER ZONES
SCALE 8:1

THE HATCHED AREA IN THIS VIEW INDICATES ZONES THAT ARE OCCUPIED BY THE PLASTIC HOUSING THAT SEATS AGAINST THE PCB AND BY THE VERTICAL METAL CAGE WALL THAT STOPS JUST SHORT OF THE PCB

SEE SHEET 1 EC NO: UCP2009-1356 2009/08/04 DRWN:SI BARRA 2009/08/06 CHKD:BBARKER 2009/08/06 APPR:SMILLER 2009/08/06	DESCRIPTION	QUALITY SYMBOLS	GENERAL TOLERANCES (UNLESS SPECIFIED)	DIMENSION STYLE MM ONLY	SCALE 3:1	DESIGN UNITS METRIC	THIRD ANGLE PROJECTION																										
		$\nabla=0$ $\nabla=0$ $\nabla=0$	<table border="1"> <thead> <tr> <th></th> <th>mm</th> <th>INCH</th> </tr> </thead> <tbody> <tr> <td>4 PLACES</td> <td>± ---</td> <td>± ---</td> </tr> <tr> <td>3 PLACES</td> <td>± ---</td> <td>± ---</td> </tr> <tr> <td>2 PLACES</td> <td>± 0.13</td> <td>± ---</td> </tr> <tr> <td>1 PLACE</td> <td>± 0.25</td> <td>± ---</td> </tr> </tbody> </table>		mm	INCH	4 PLACES	± ---	± ---	3 PLACES	± ---	± ---	2 PLACES	± 0.13	± ---	1 PLACE	± 0.25	± ---	<table border="1"> <thead> <tr> <th>DRAWN BY</th> <th>DATE</th> </tr> </thead> <tbody> <tr> <td>JJANTELEZIO</td> <td>01-18-2007</td> </tr> <tr> <th>CHECKED BY</th> <th>DATE</th> </tr> <tr> <td>MSANDBERG</td> <td>01-18-2007</td> </tr> <tr> <th>APPROVED BY</th> <th>DATE</th> </tr> <tr> <td>RNELSON</td> <td>01-18-2007</td> </tr> </tbody> </table>	DRAWN BY	DATE	JJANTELEZIO	01-18-2007	CHECKED BY	DATE	MSANDBERG	01-18-2007	APPROVED BY	DATE	RNELSON	01-18-2007	TITLE STACKED SFP+ 2X2 ASSY WITH ELASTOMERIC GASKET AND LIGHTPIPES	MATERIAL NO. SEE CHART
	mm	INCH																															
4 PLACES	± ---	± ---																															
3 PLACES	± ---	± ---																															
2 PLACES	± 0.13	± ---																															
1 PLACE	± 0.25	± ---																															
DRAWN BY	DATE																																
JJANTELEZIO	01-18-2007																																
CHECKED BY	DATE																																
MSANDBERG	01-18-2007																																
APPROVED BY	DATE																																
RNELSON	01-18-2007																																
DRAFT WHERE APPLICABLE MUST REMAIN WITHIN DIMENSIONS			THIS DRAWING CONTAINS INFORMATION THAT IS PROPRIETARY TO MOLEX INCORPORATED AND SHOULD NOT BE USED WITHOUT WRITTEN PERMISSION																														