

**PLEASE CHECK WWW.MOLEX.COM FOR LATEST PART INFORMATION**

**Part Number:** [0190770019](#)  
**Status:** **Active**  
**Description:** Avikrimp™ Star Ring Tongue Terminal 14-16 AWG Wire, Stud Size 10

**Documents:**

[Drawing \(PDF\)](#) [RoHS Certificate of Compliance \(PDF\)](#)

**Agency Certification**

CSA LR18689  
 UL E32244

**General**

Product Family Ring and Spade Terminals  
 Series [19077](#)  
 Crimp Quality Equipment Yes  
 Mil-Spec N/A  
 Product Name Avikrimp™  
 Type Ring

**Physical**

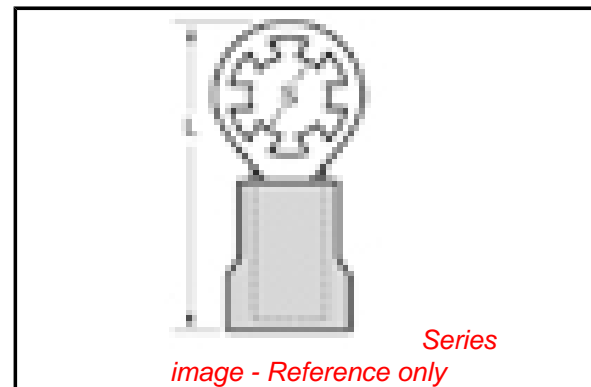
Barrel Type Closed  
 Flammability 94V-0  
 Insulation Nylon (PA)  
 Material - Plating Mating Tin  
 Packaging Type Bag  
 Plating min: Mating (µin) 100  
 Plating min: Mating (µm) 2.5  
 Plating min: Termination (µin) 100  
 Plating min: Termination (µm) 2.5  
 Stud Size 10 (M5)  
 Termination Interface: Style Crimp or Compression  
 Wire Insulation Diameter 4.29mm (.169") max.  
 Wire Size AWG 14, 16  
 Wire Size mm² 1.00 - 2.60

**Material Info**

Old Part Number SRB-829-10

**Reference - Drawing Numbers**

Sales Drawing SD-19077-001



**EU RoHS**

**ELV and RoHS Compliant**  
**REACH SVHC**  
 Not Reviewed  
**Halogen-Free Status**  
 Not Reviewed

**China RoHS**



**Need more information on product environmental compliance?**

Email [productcompliance@molex.com](mailto:productcompliance@molex.com)  
 For a multiple part number RoHS Certificate of Compliance, [click here](#)

Please visit the [Contact Us](#) section for any non-product compliance questions.

**Search Parts in this Series**

[19077Series](#)

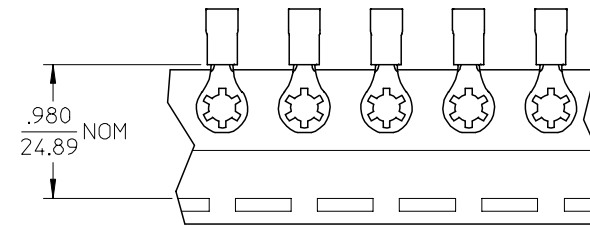
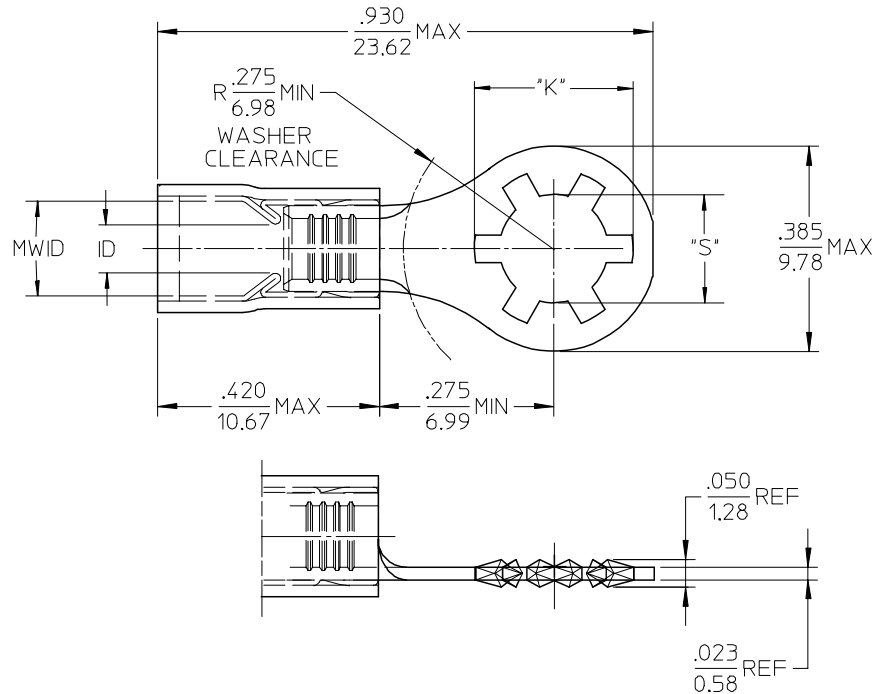
**Application Tooling | [FAQ](#)**

*Tooling specifications and manuals are found by selecting the products below. Crimp Height Specifications are then contained in the Application Tooling Specification document.*

**Global**

Description	Product #
Hand Crimp Tool	<a href="#">0640011900</a>
Crimp Head for the AT-200™ Pneumatic Hand Tool	<a href="#">0640051900</a>

MATERIAL NO.	ENG. NO.	MATERIAL NUMBER TAPE MOUNTED	ENG. NO. TAPE MOUNTED	STUD SIZE	"S" ±.005/.127	"K" REF DIA	WIRE RANGE AWG / MM <sup>2</sup>	INSULATION COLOR	I.D. MIN	MWID
190770001	SRA-829-06	190770002	SRA-829-06T	6	.146 (3.71)	.236 (5.99)	22-18/.25-1.3	RED	.062/1.57	.138/3.51
190770005	SRA-829-08	190770006	SRA-829-08T	8	.173 (4.39)	.263 (6.68)				
190770007	SRA-829-10	190770008	SRA-829-10T	10	.198 (5.03)	.288 (7.32)				
190770015	SRB-829-06	190770016	SRB-829-06T	6	.146 (3.71)	.236 (5.99)	16-14/1.0-2.6	BLUE	.086/2.18	.169/4.29
190770017	SRB-829-08	190770018	SRB-829-08T	8	.173 (4.39)	.263 (6.68)				
190770019	SRB-829-10	190770020	SRB-829-10T	10	.198 (5.03)	.288 (7.32)				



SALES DRAWING

NOTES:

- MATERIAL: BRASS.  
PLATING: ELECTROPLATE TIN.
- FERRULE: BRASS ELECTROPLATE TIN.  
PLATING: ELECTROPLATE TIN.
- INSULATION: NYLON.
- MWID=MAXIMUM WIRE INSULATION DIA.
- ALL DIMENSIONS IN INCHES (MM).

EC NO: ETC2004-0126 DRWN:DMYRICK 2004/01/06 CHKD:SBEITZEL 2004/01/06 APPR:RDEROSS 2004/01/07	QUALITY SYMBOLS ▽ = 0 ▽ = 0	GENERAL TOLERANCES (UNLESS SPECIFIED)		SCALE NTS	DESIGN UNITS INCH	THIRD ANGLE PROJECTION	REVISE ON CAD ONLY
		4 PLACES ± --- ± ---	3 PLACES ± --- ± .005	2 PLACES ± 0.13 ± .01	1 PLACE ± 0.25 ± ---	DIMENSION STYLE IN/MM	TITLE AVIKRIMP STAR RING TONGUE TERMINALS
REV	DESCRIPTION	ANGULAR ±1/2°		DRAWN BY DMYRICK	DATE 03/12/22	MOLEX INCORPORATED	
		DRAFT WHERE APPLICABLE MUST REMAIN WITHIN DIMENSIONS		CHECKED BY SBEITZEL	DATE 03/12/22	MATERIAL NO. SEE CHART	DOCUMENT NO. SD-19077-001
THIS DRAWING CONTAINS INFORMATION THAT IS PROPRIETARY TO MOLEX INCORPORATED AND SHOULD NOT BE USED WITHOUT WRITTEN PERMISSION							