

S29PL-N MirrorBit™ Flash Family

**29PL256N, S29PLI27N, S29PLI29N,
256/128/128 Mb (16/8/8 M x 16-Bit) CMOS, 3.0 Volt-only
Simultaneous Read/Write, Page-Mode Flash Memory**



Data Sheet

PRELIMINARY

Notice to Readers: This document indicates states the current technical specifications regarding the Spansion product(s) described herein. The Preliminary status of this document indicates that a product qualification has been completed, and that initial production has begun. Due to the phases of the manufacturing process that require maintaining efficiency and quality, this document may be revised by subsequent versions or modifications due to changes in technical specifications.

Notice On Data Sheet Designations

SpanSion LLC issues data sheets with Advance Information or Preliminary designations to advise readers of product information or intended specifications throughout the product life cycle, including development, qualification, initial production, and full production. In all cases, however, readers are encouraged to verify that they have the latest information before finalizing their design. The following descriptions of SpanSion data sheet designations are presented here to highlight their presence and definitions.

Advance Information

The Advance Information designation indicates that SpanSion LLC is developing one or more specific products, but has not committed any design to production. Information presented in a document with this designation is likely to change, and in some cases, development on the product may discontinue. SpanSion LLC therefore places the following conditions upon Advance Information content:

"This document contains information on one or more products under development at SpanSion LLC. The information is intended to help you evaluate this product. Do not design in this product without contacting the factory. SpanSion LLC reserves the right to change or discontinue work on this proposed product without notice."

Preliminary

The Preliminary designation indicates that the product development has progressed such that a commitment to production has taken place. This designation covers several aspects of the product life cycle, including product qualification, initial production, and the subsequent phases in the manufacturing process that occur before full production is achieved. Changes to the technical specifications presented in a Preliminary document should be expected while keeping these aspects of production under consideration. SpanSion places the following conditions upon Preliminary content:

"This document states the current technical specifications regarding the SpanSion product(s) described herein. The Preliminary status of this document indicates that product qualification has been completed, and that initial production has begun. Due to the phases of the manufacturing process that require maintaining efficiency and quality, this document may be revised by subsequent versions or modifications due to changes in technical specifications."

Combination

Some data sheets will contain a combination of products with different designations (Advance Information, Preliminary, or Full Production). This type of document will distinguish these products and their designations wherever necessary, typically on the first page, the ordering information page, and pages with DC Characteristics table and AC Erase and Program table (in the table notes). The disclaimer on the first page refers the reader to the notice on this page.

Full Production (No Designation on Document)

When a product has been in production for a period of time such that no changes or only nominal changes are expected, the Preliminary designation is removed from the data sheet. Nominal changes may include those affecting the number of ordering part numbers available, such as the addition or deletion of a speed option, temperature range, package type, or V_{IO} range. Changes may also include those needed to clarify a description or to correct a typographical error or incorrect specification. SpanSion LLC applies the following conditions to documents in this category:

"This document states the current technical specifications regarding the SpanSion product(s) described herein. SpanSion LLC deems the products to have been in sufficient production volume such that subsequent versions of this document are not expected to change. However, typographical or specification corrections, or modifications to the valid combinations offered may occur."

Questions regarding these document designations may be directed to your local AMD or Fujitsu sales office.

S29PL-N MirrorBit™ Flash Family

**S29PL256N, S29PL127N, S29PL129N,
256/I28/I28 Mb (16/8/8 M x 16-Bit) CMOS, 3.0 Volt-only
Simultaneous Read/Write, Page-Mode Flash Memory**



Data Sheet

PRELIMINARY

General Description

The Spansion S29PL-N is the latest generation 3.0-Volt page mode read family fabricated using the 110 nm Mirrorbit™ Flash process technology. These 8-word page-mode Flash devices are capable of performing simultaneous read and write operations with zero latency on two separate banks. These devices offer fast page access times of 25 to 30 ns, with corresponding random access times of 65 ns, 70 ns, and 80 ns respectively, allowing high speed microprocessors to operate without wait states. The S29PL129N device offers the additional feature of dual chip enable inputs (CE1# and CE2#) that allow each half of the memory space to be controlled separately.

Distinctive Characteristics

Architectural Advantages

- **32-Word Write Buffer**
- **Dual Chip Enable Inputs (only for S29PL129N)**
 - Two CE# inputs control selection of each half of the memory space
- **Single Power Supply Operation**
 - Full Voltage range of 2.7 – 3.6 V read, erase, and program operations for battery-powered applications
 - Voltage range of 2.7 – 3.1 V valid for PL-N MCP products
- **Simultaneous Read/Write Operation**
 - Data can be continuously read from one bank while executing erase/program functions in another bank
 - Zero latency switching from write to read operations
- **4-Bank Sector Architecture with Top and Bottom Boot Blocks**
- **256-Word Secured Silicon Sector Region**
 - Up to 128 factory-locked words
 - Up to 128 customer-lockable words
- **Manufactured on 0.11 μm Process Technology**
- **Data Retention of 20 years Typical**
- **Cycling Endurance of 100,000 Cycles per Sector Typical**

Hardware Features

- **WP#/ACC (Write Protect/Acceleration) Input**
 - At V_{IL} , hardware level protection for the first and last two 32 Kword sectors.
 - At V_{IH} , allows the use of DYB/PPB sector protection
 - At V_{HH} , provides accelerated programming in a factory setting

Dual Boot and No Boot Options

Low V_{CC} Write Inhibit

Security Features

- **Persistent Sector Protection**
 - A command sector protection method to lock combinations of individual sectors to prevent program or erase operations within that sector
 - Sectors can be locked and unlocked in-system at V_{CC} level
- **Password Sector Protection**
 - A sophisticated sector protection method locks combinations of individual sectors to prevent program or erase operations within that sector using a user defined 64-bit password

Performance Characteristics

Read Access Times (@ 30 pF, Industrial Temp.)			
Random Access Time, ns (t_{ACC})	65	70	80
Page Access Time, ns (t_{PACC})	25	30	30
Max CE# Access Time, ns (t_{CE})	65	70	80
Max OE# Access Time, ns (t_{OE})	25	30	30

Current Consumption (typical values)	
8-Word Page Read	6 mA
Simultaneous Read/Write	65 mA
Program/Erase	25 mA
Standby	20 μA

Typical Program & Erase Times (typical values) (See Note)	
Typical Word	40 μs
Typical Effective Word (32 words in buffer)	9.4 μs
Accelerated Write Buffer Program	6 μs
Typical Sector Erase Time (32-Kword Sector)	300 ms
Typical Sector Erase Time (128-Kword Sector)	1.6 s

Note: : Typical program and erase times assume the following conditions: 25°C, 3.0 V V_{CC} , 10,000 cycles; checkerboard data pattern.

S29PL-N	Package Options		
	VBH064 8.0 x 11.6 mm, 64-ball	VBH084 8.0 x 11.6 mm, 84-ball	LAA064 11 x 13 mm, 64-ball Fortified BGA
256		■	■
129	■		
127	■		■

Contents

1	Ordering Information	6
2	Input/Output Descriptions and Logic Symbols	7
3	Block Diagram	8
4	Connection Diagrams/Physical Dimensions	9
4.1	Special Handling Instructions for FBGA Package	9
4.2	VBH084, 8.0 x 11.6 mm	9
4.2.1	Connection Diagram – S29PL256N MCP Compatible Package	9
4.2.2	Physical Dimensions – VBH084, 8.0 x 11.6 mm	10
4.3	VBH064, 8 x 11.6 mm	11
4.3.1	Connection Diagram – S29PLI27N MCP Compatible Package	11
4.3.2	Connection Diagram – S29PLI29N MCP Compatible Package	12
4.3.3	Physical Dimensions – VBH064, 8 x 11.6 mm – S29PL-N	13
4.3.4	Connection Diagram – S29PL-N Fortified Ball Grid Array Package	14
4.3.5	Physical Dimensions – LAA064, 11 x 13 mm – S29PL-N	15
4.4	MCP Look-Ahead Connection Diagram/Physical Dimensions	16
4.4.1	For All Page Mode MCPs Comprised of Code Flash + (p)SRAM + Data Flash	16
5	Additional Resources	18
6	Product Overview	19
6.1	Memory Map	19
7	Device Operations	21
7.1	Device Operation Table	21
7.1.1	Dual Chip Enable Device Description and Operation (PLI29N Only)	21
7.2	Asynchronous Read	22
7.2.1	Non-Page Random Read	22
7.2.2	Page Mode Read	22
7.3	Autoselect	23
7.4	Program/Erase Operations	26
7.4.1	Single Word Programming	26
7.4.2	Write Buffer Programming	28
7.4.3	Sector Erase	30
7.4.4	Chip Erase Command Sequence	32
7.4.5	Erase Suspend/Erase Resume Commands	33
7.4.6	Program Suspend/Program Resume Commands	34
7.4.7	Accelerated Program	35
7.4.8	Unlock Bypass	36
7.4.9	Write Operation Status	37
7.5	Simultaneous Read/Write	43
7.6	Writing Commands/Command Sequences	45
7.7	Hardware Reset	46
7.8	Software Reset	46
8	Advanced Sector Protection/Unprotection	48
8.1	Lock Register	49
8.2	Persistent Protection Bits	49
8.3	Dynamic Protection Bits	50
8.4	Persistent Protection Bit Lock Bit	50
8.5	Password Protection Method	51
8.6	Advanced Sector Protection Software Examples	53
8.7	Hardware Data Protection Methods	53
8.7.1	WP# Method	53
8.7.2	Low V _{CC} Write Inhibit	53
8.7.3	Write Pulse <i>Glitch Protection</i>	54
8.7.4	Power-Up Write Inhibit	54
9	Power Conservation Modes	55

9.1 Standby Mode	55
9.2 Automatic Sleep Mode	55
9.3 Hardware RESET# Input Operation	55
9.4 Output Disable (OE#)	55
10 Secured Silicon Sector Flash Memory Region	56
10.1 Factory Secured Silicon Sector	56
10.2 Customer Secured Silicon Sector	57
10.3 Secured Silicon Sector Entry and Exit Command Sequences	57
11 Electrical Specifications	59
11.1 Absolute Maximum Ratings	59
11.2 Operating Ranges	60
11.3 Test Conditions	60
11.4 Key to Switching Waveforms	60
11.5 Switching Waveforms	61
11.6 V _{CC} Power Up	61
11.7 DC Characteristics	62
11.7.1 DC Characteristics (V _{CC} = 2.7 V to 3.6 V)	62
11.7.2 DC Characteristics (V _{CC} = 2.7 V to 3.1 V)	63
11.8 AC Characteristics	64
11.8.1 Read Operations	64
11.8.2 Read Operation Timing Diagrams	64
11.8.3 Hardware Reset (RESET#)	65
11.8.4 Erase/Program Timing	66
11.8.5 Erase and Programming Performance	70
11.8.6 BGA Ball Capacitance	71
12 Appendix	73
12.1 Common Flash Memory Interface	75
13 Commonly Used Terms	78
14 Revisions	82

Tables

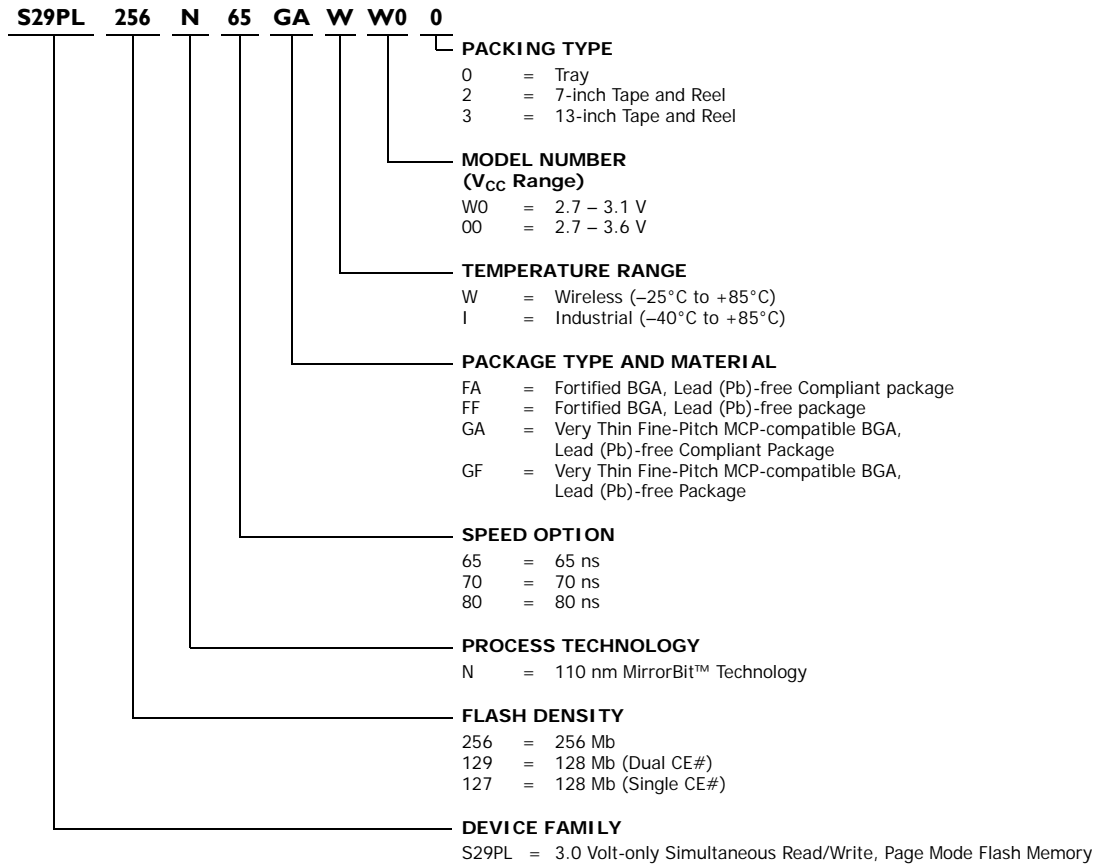
Table 2.1	Input/Output Descriptions	7
Table 6.1	PL256N Sector and Memory Address Map	19
Table 6.2	PL127N Sector and Memory Address Map	20
Table 6.3	PL129N Sector and Memory Address Map	20
Table 7.1	Device Operation	21
Table 7.2	Dual Chip Enable Device Operation	22
Table 7.3	Word Selection within a Page	23
Table 7.4	Autoselect Codes	24
Table 7.5	Autoselect Entry	24
Table 7.6	Autoselect Exit	24
Table 7.7	Single Word Program.	27
Table 7.8	Write Buffer Program.	29
Table 7.9	Sector Erase.	31
Table 7.10	Chip Erase	33
Table 7.11	Erase Suspend	34
Table 7.12	Erase Resume	34
Table 7.13	Program Suspend	35
Table 7.14	Program Resume	35
Table 7.15	Unlock Bypass Entry	36
Table 7.16	Unlock Bypass Program	37
Table 7.17	Unlock Bypass Reset	37
Table 7.18	Write Operation Status	42
Table 7.19	Reset.	46
Table 8.1	Lock Register	49
Table 8.2	Sector Protection Schemes.	53
Table 10.1	Secured Silicon Sector Addresses.	56
Table 10.2	Secured Silicon Sector Entry	58
Table 10.3	Secured Silicon Sector Program	58
Table 10.4	Secured Silicon Sector Exit.	58
Table 11.1	Test Specifications	60
Table 12.1	Memory Array Commands	73
Table 12.2	Sector Protection Commands	74
Table 12.3	CFI Query Identification String	76
Table 12.4	System Interface String	76
Table 12.5	Device Geometry Definition	76
Table 12.6	Primary Vendor-Specific Extended Query.	77

Figures

Figure 2.1	Logic Symbols – PL256N, PL129N, and PL127N	7
Figure 4.1	Connection Diagram – 84-ball Fine-Pitch Ball Grid Array (S29PL256N)	9
Figure 4.2	Physical Dimensions – 84-ball Fine-Pitch Ball Grid Array (S29PL256N)	10
Figure 4.3	Connection Diagram – 64-Ball Fine-Pitch Ball Grid Array (S29PL127N)	11
Figure 4.4	Connection Diagram – 64-Ball Fine-Pitch Ball Grid Array (S29PL129N)	12
Figure 4.5	Physical Dimensions – 64-Ball Fine-Pitch Ball Grid Array (S29PL-N)	13
Figure 4.6	Connection Diagram – 64-Ball Fine-Pitch Ball Grid Array (S29PL127N, S29PL256N)	14
Figure 4.7	Physical Dimensions – 64-Ball Fortified Ball Grid Array (S29PL-N)	15
Figure 4.8	MCP Look-Ahead Diagram	16
Figure 7.1	Single Word Program Operation	27
Figure 7.2	Write Buffer Programming Operation	30
Figure 7.3	Sector Erase Operation	32
Figure 7.4	Write Operation Status Flowchart	39
Figure 7.5	Simultaneous Operation Block Diagram for S29PL256N and S29PL127N	43
Figure 7.6	Simultaneous Operation Block Diagram for S29PL129N	44
Figure 8.1	Advanced Sector Protection/Unprotection	48
Figure 8.2	Lock Register Program Algorithm	52
Figure 11.1	Maximum Negative Overshoot Waveform	59
Figure 11.2	Maximum Positive Overshoot Waveform	59
Figure 11.3	Test Setup	60
Figure 11.4	Input Waveforms and Measurement Levels	61
Figure 11.5	V _{CC} Power-Up Diagram	61
Figure 11.6	Read Operation Timings	64
Figure 11.7	Page Read Operation Timings	65
Figure 11.8	Reset Timings	65
Figure 11.9	Program Operation Timings	67
Figure 11.10	Accelerated Program Timing Diagram	67
Figure 11.11	Chip/Sector Erase Operation Timings	68
Figure 11.12	Back-to-back Read/Write Cycle Timings	68
Figure 11.13	Data# Polling Timings (During Embedded Algorithms)	69
Figure 11.14	Toggle Bit Timings (During Embedded Algorithms)	69
Figure 11.15	DQ2 vs. DQ6	70

I Ordering Information

The ordering part number is formed by a valid combination of the following:



Valid Combinations					V _{IO} Range	Package Type (Note 2)
Base Ordering Part Number	Speed Option	Package Type, Material, & Temperature Range	Model Number	Packing Type		
S29PL256N	65, 70	GAW, GFW	W0	0, 2, 3 (Note 1)	2.7 – 3.1 V	VBH084 8.0 x 11.6 mm 84-ball MCP-Compatible (FBGA)
S29PL127N S29PL129N						VBH064 8.0 x 11.6 mm 64-ball MCP-Compatible (FBGA)
S29PL256N, S29PL127N	80	FAW, FFW	00	0, 2, 3 (Note 1)	2.7 – 3.6 V	LAA064 11x13 mm 64-Ball (Fortified BGA)

Notes:

1. Type 0 is standard. Specify other options as required.
2. BGA package marking omits leading S29 and packing type designator from ordering part number.

Valid Combinations

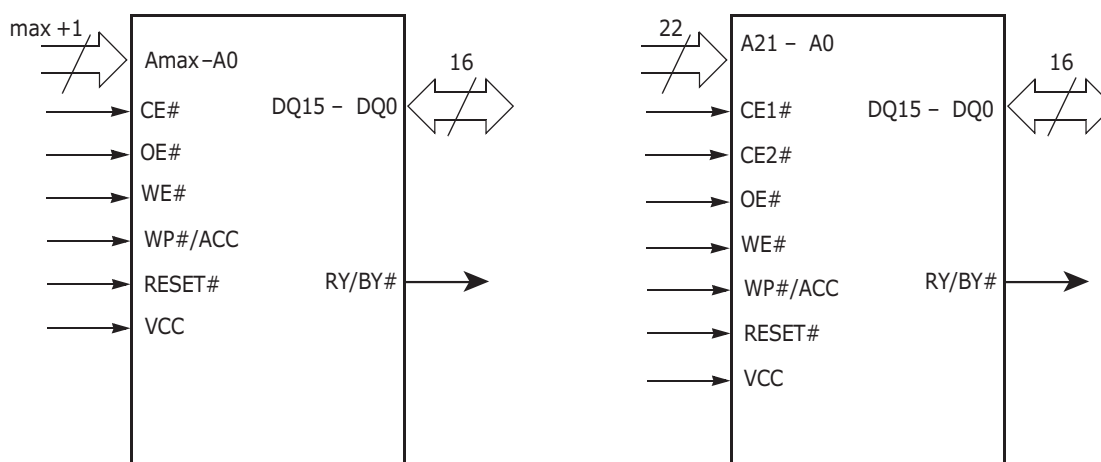
Valid Combinations list configurations planned to be supported in volume for this device. Consult your local sales office to confirm availability of specific valid combinations and to check on newly released combinations.

2 Input/Output Descriptions and Logic Symbols

Table 2.1 identifies the input and output package connections provided on the device.

Table 2.1 Input/Output Descriptions

Symbol	Type	Description
A _{max} – A0	Input	Address bus
DQ15 – DQ0	I/O	16-bit data inputs/outputs/float
CE#	Input	Chip Enable input
OE#	Input	Output Enable input
WE#	Input	Write Enable
V _{SS}	Supply	Device ground
NC	Not connected	Pin Not Connected Internally
RY/BY#	Output	Ready/Busy output and open drain. When RY/BY# = V _{IH} , the device is ready to accept read operations and commands. When RY/BY# = V _{OL} , the device is either executing an embedded algorithm or the device is executing a hardware reset operation.
V _{CC}	Supply	Device Power Supply
RESET#	Input	Hardware reset pin
CE1#, CE2#	Input	Chip Enable inputs for S29PL129 device



Notes:

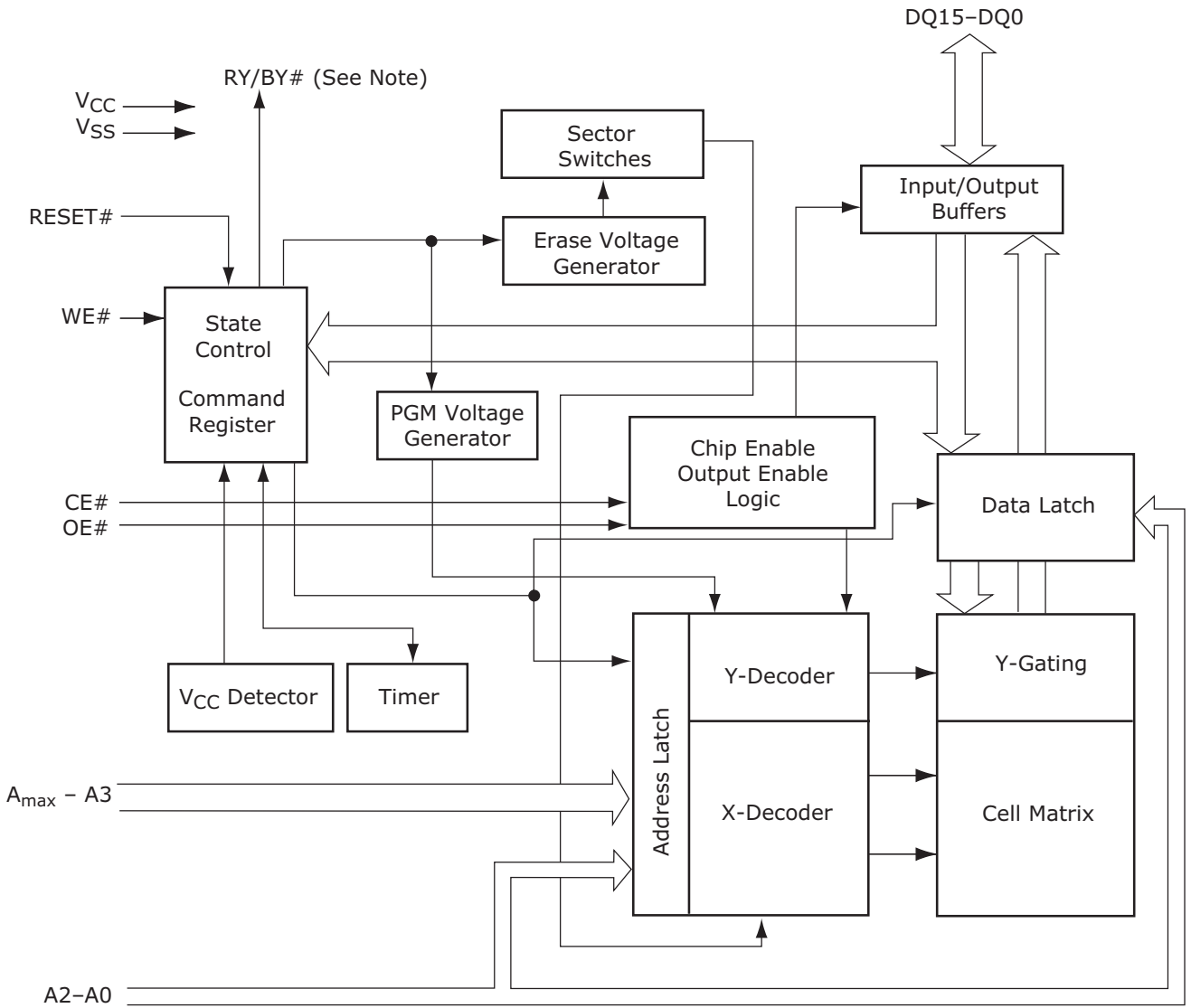
1. A_{max} = 23 for the PL256N and 22 for the PL127N.

Logic Symbol – PL256N and PLI27N

Logic Symbol – PLI29N

Figure 2.1 Logic Symbols – PL256N, PLI29N, and PLI27N

3 Block Diagram



Notes:

1. RY/BY# is an open drain output.
2. A_{max} = A23 (PL256N), A22 (PL127N), A21 (PL129N).
3. PL129N has two CE# pins CE1# and CE2#.

4 Connection Diagrams/Physical Dimensions

This section contains the I/O designations and package specifications for the S29PL256N.

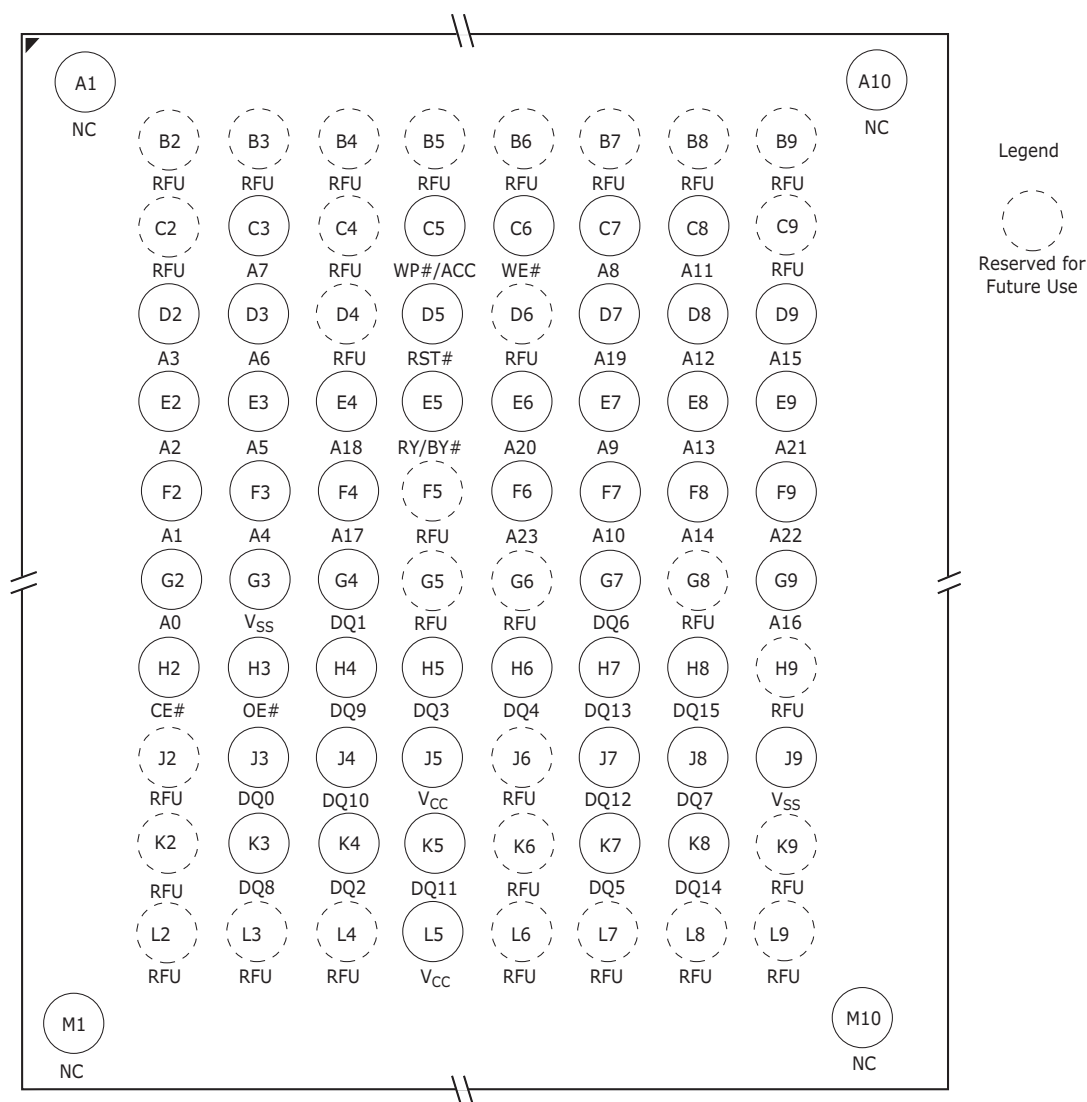
4.1 Special Handling Instructions for FBGA Package

Special handling is required for Flash Memory products in FBGA packages.

Flash memory devices in FBGA packages may be damaged if exposed to ultrasonic cleaning methods. The package and/or data integrity may be compromised if the package body is exposed to temperatures above 150°C for prolonged periods of time.

4.2 VBH084, 8.0 x 11.6 mm

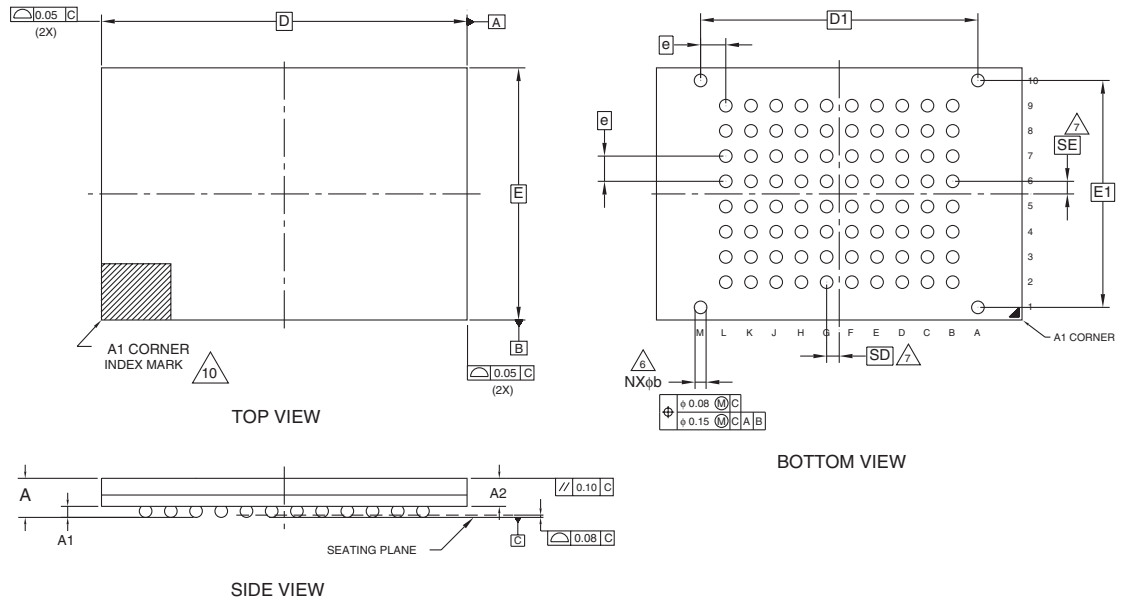
4.2.1 Connection Diagram – S29PL256N MCP Compatible Package



- Notes:**
1. Top view—balls facing down.
 2. Recommended for wireless applications

Figure 4.1 Connection Diagram – 84-ball Fine-Pitch Ball Grid Array (S29PL256N)

4.2.2 Physical Dimensions – VBH084, 8.0 x 11.6 mm



PACKAGE	VBH 084			
JEDEC	N/A			
	11.60 mm x 8.00 mm NOM PACKAGE			
SYMBOL	MIN	NOM	MAX	NOTE
A	---	---	1.00	OVERALL THICKNESS
A1	0.18	---	---	BALL HEIGHT
A2	0.62	---	0.76	BODY THICKNESS
D	11.60 BSC.			BODY SIZE
E	8.00 BSC.			BODY SIZE
D1	8.80 BSC.			BALL FOOTPRINT
E1	7.20 BSC.			BALL FOOTPRINT
MD	12			ROW MATRIX SIZE D DIRECTION
ME	10			ROW MATRIX SIZE E DIRECTION
N	84			TOTAL BALL COUNT
phi b	0.33	---	0.43	BALL DIAMETER
e	0.80 BSC.			BALL PITCH
SD / SE	0.40 BSC.			SOLDER BALL PLACEMENT
	(A2-A9, B10-L10, M2-M9, B1-L1)			DEPOPULATED SOLDER BALLS

NOTES:

- DIMENSIONING AND TOLERANCING PER ASME Y14.5M-1994.
- ALL DIMENSIONS ARE IN MILLIMETERS.
- BALL POSITION DESIGNATION PER JESD 95-1, SPP-010 (EXCEPT AS NOTED).
- e REPRESENTS THE SOLDER BALL GRID PITCH.
- SYMBOL "MD" IS THE BALL ROW MATRIX SIZE IN THE "D" DIRECTION.
SYMBOL "ME" IS THE BALL COLUMN MATRIX SIZE IN THE "E" DIRECTION.
N IS THE TOTAL NUMBER OF SOLDER BALLS.
- DIMENSION "b" IS MEASURED AT THE MAXIMUM BALL DIAMETER IN A PLANE PARALLEL TO DATUM C.
- SD AND SE ARE MEASURED WITH RESPECT TO DATUMS A AND B AND DEFINE THE POSITION OF THE CENTER SOLDER BALL IN THE OUTER ROW.
WHEN THERE IS AN ODD NUMBER OF SOLDER BALLS IN THE OUTER ROW PARALLEL TO THE D OR E DIMENSION, RESPECTIVELY, SD OR SE = 0.000.
WHEN THERE IS AN EVEN NUMBER OF SOLDER BALLS IN THE OUTER ROW, SD OR SE = $\frac{e}{2}$
- NOT USED.
- "+" INDICATES THE THEORETICAL CENTER OF DEPOPULATED BALLS.
- A1 CORNER TO BE IDENTIFIED BY CHAMFER, LASER OR INK MARK, METALLIZED MARK INDENTATION OR OTHER MEANS.

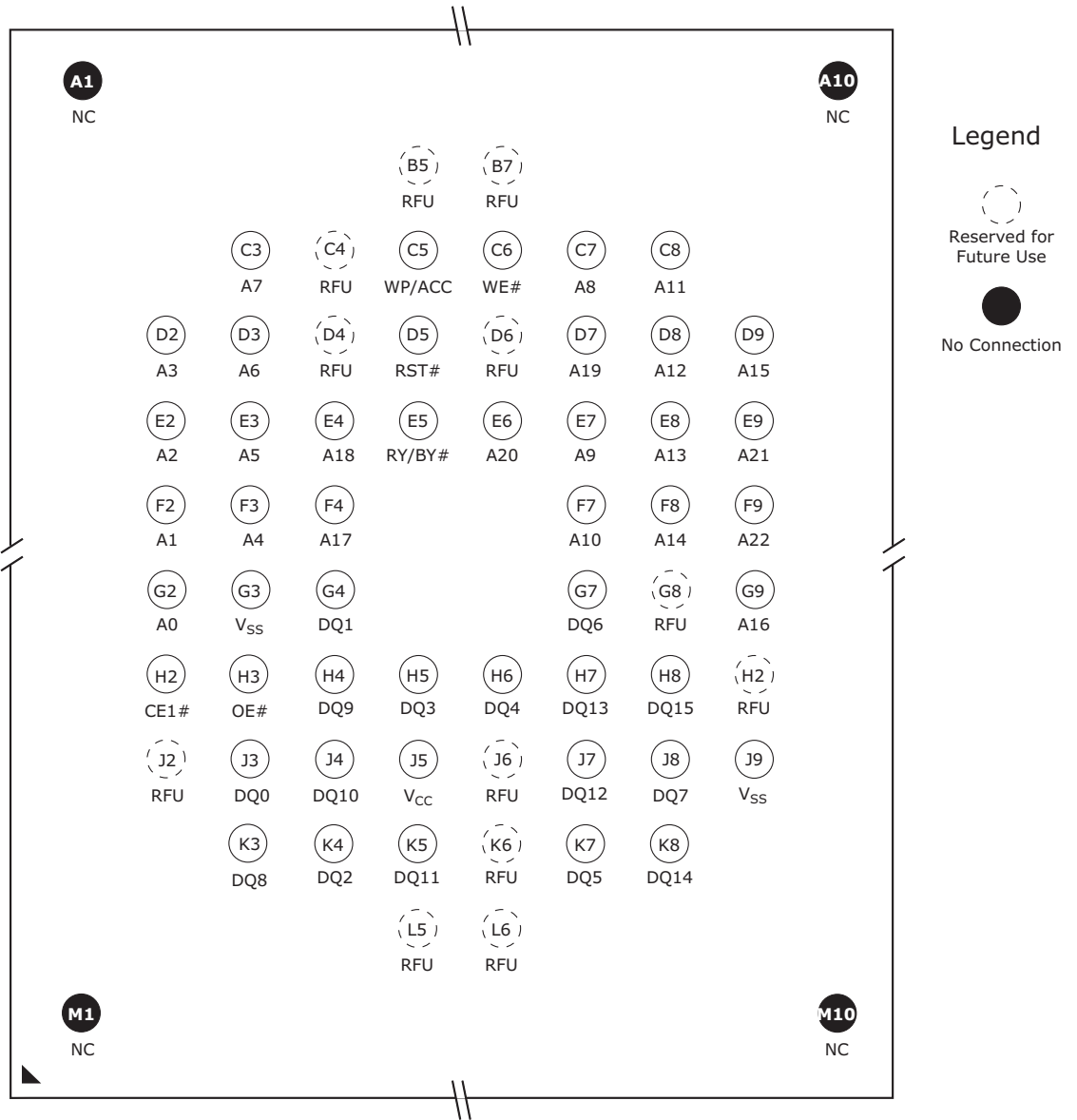
Note: Recommended for wireless applications

3339 \ 16-038.25b

Figure 4.2 Physical Dimensions – 84-ball Fine-Pitch Ball Grid Array (S29PL256N)

4.3 VBH064, 8 x 11.6 mm

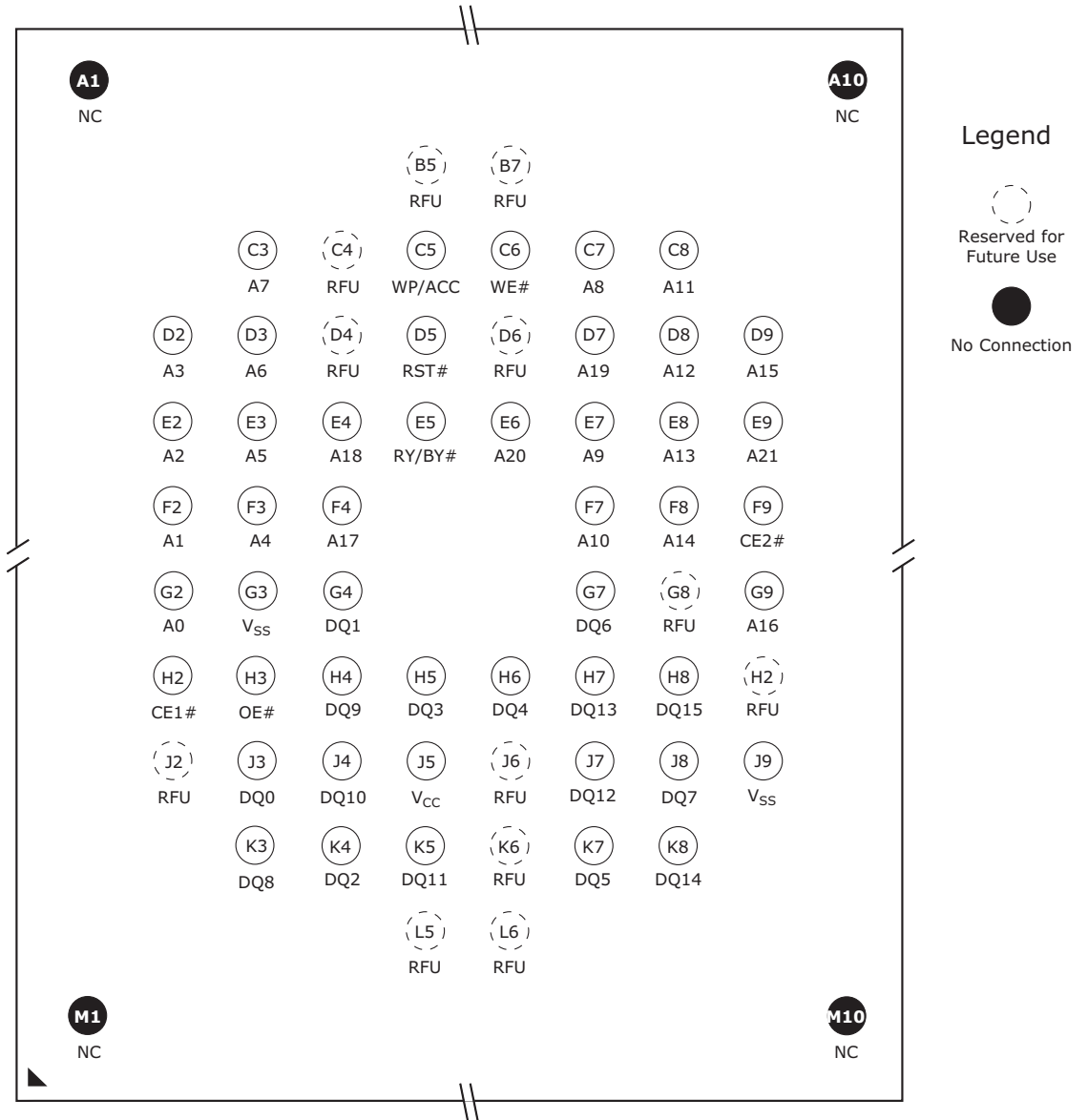
4.3.1 Connection Diagram – S29PL127N MCP Compatible Package



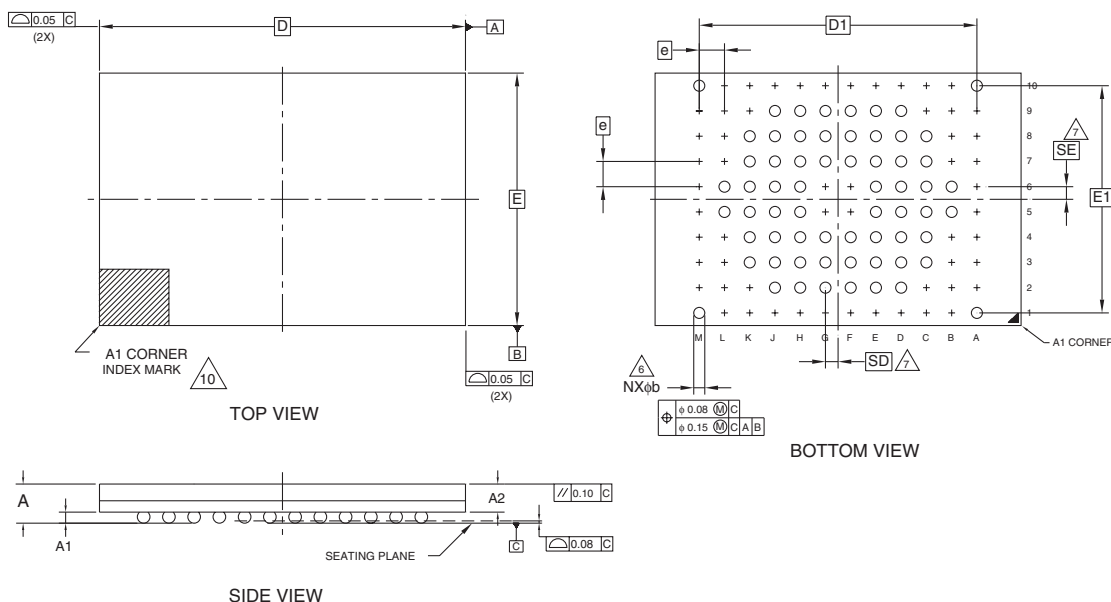
- Notes:**
1. Top view—balls facing down.
 2. Recommended for wireless applications

Figure 4.3 Connection Diagram – 64-Ball Fine-Pitch Ball Grid Array (S29PL127N)

4.3.2 Connection Diagram – S29PL129N MCP Compatible Package



4.3.3 Physical Dimensions – VBH064, 8 x 11.6 mm – S29PL-N



PACKAGE	VBH 064			
JEDEC	N/A			
	11.60 mm x 8.00 mm NOM PACKAGE			
SYMBOL	MIN	NOM	MAX	NOTE
A	---	---	1.00	OVERALL THICKNESS
A1	0.18	---	---	BALL HEIGHT
A2	0.62	---	0.76	BODY THICKNESS
D	11.60 BSC.			BODY SIZE
E	8.00 BSC.			BODY SIZE
D1	8.80 BSC.			BALL FOOTPRINT
E1	7.20 BSC.			BALL FOOTPRINT
MD	12			ROW MATRIX SIZE D DIRECTION
ME	10			ROW MATRIX SIZE E DIRECTION
N	64			TOTAL BALL COUNT
φb	0.33	---	0.43	BALL DIAMETER
e	0.80 BSC.			BALL PITCH
SD / SE	0.40 BSC.			SOLDER BALL PLACEMENT
	(A2-9,B1-4,B7-10,C1-K1, M2-9,C10-K10,L1-4,L7-10, G5-6,F5-6)			DEPOPULATED SOLDER BALLS

NOTES:

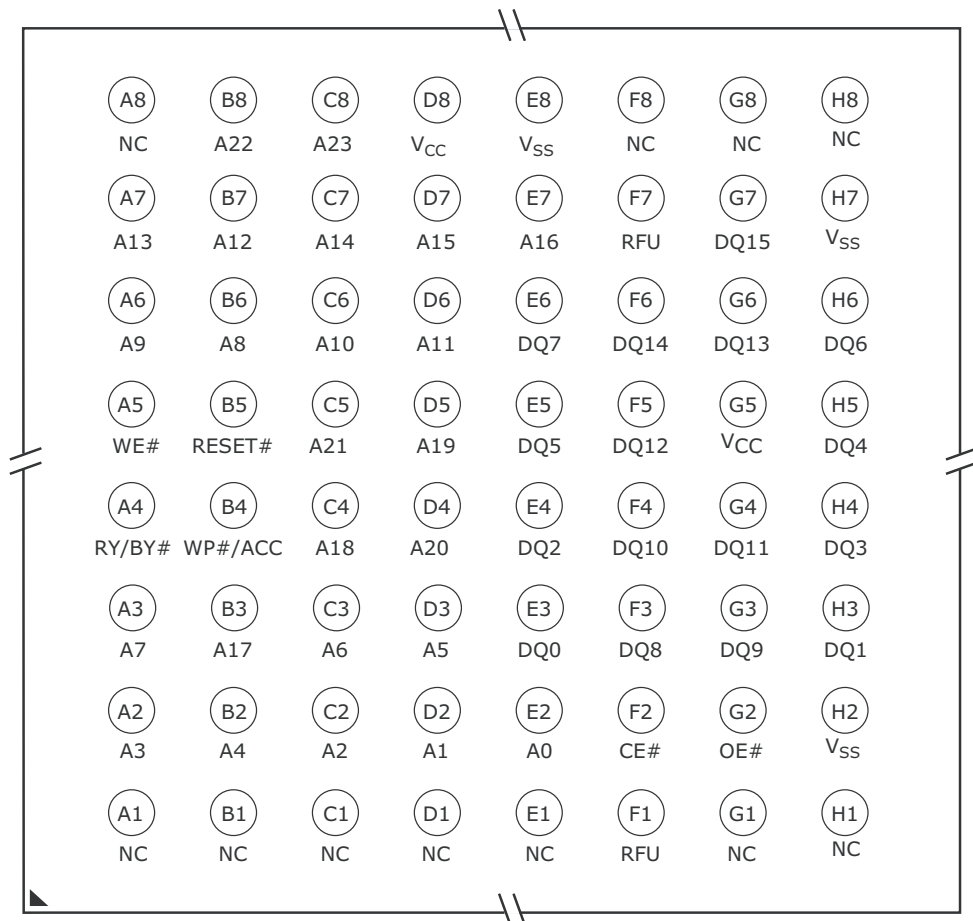
- DIMENSIONING AND TOLERANCING PER ASME Y14.5M-1994.
- ALL DIMENSIONS ARE IN MILLIMETERS.
- BALL POSITION DESIGNATION PER JEDEC 95-1, SPP-010 (EXCEPT AS NOTED).
- [e] REPRESENTS THE SOLDER BALL GRID PITCH.
- SYMBOL "MD" IS THE BALL ROW MATRIX SIZE IN THE "D" DIRECTION.
SYMBOL "ME" IS THE BALL COLUMN MATRIX SIZE IN THE "E" DIRECTION.
N IS THE TOTAL NUMBER OF SOLDER BALLS.
- DIMENSION "b" IS MEASURED AT THE MAXIMUM BALL DIAMETER IN A PLANE PARALLEL TO DATUM C.
- SD AND SE ARE MEASURED WITH RESPECT TO DATUMS A AND B AND DEFINE THE POSITION OF THE CENTER SOLDER BALL IN THE OUTER ROW.
WHEN THERE IS AN ODD NUMBER OF SOLDER BALLS IN THE OUTER ROW PARALLEL TO THE D OR E DIMENSION, RESPECTIVELY, SD OR SE = 0.000.
WHEN THERE IS AN EVEN NUMBER OF SOLDER BALLS IN THE OUTER ROW, SD OR SE = [e/2]
- NOT USED.
- "+" INDICATES THE THEORETICAL CENTER OF DEPOPULATED BALLS.
- A1 CORNER TO BE IDENTIFIED BY CHAMFER, LASER OR INK MARK, METALLIZED MARK INDENTATION OR OTHER MEANS.

Note: Recommended for wireless applications

3330 \ 16-038.25b

Figure 4.5 Physical Dimensions – 64-Ball Fine-Pitch Ball Grid Array (S29PL-N)

4.3.4 Connection Diagram – S29PL-N Fortified Ball Grid Array Package

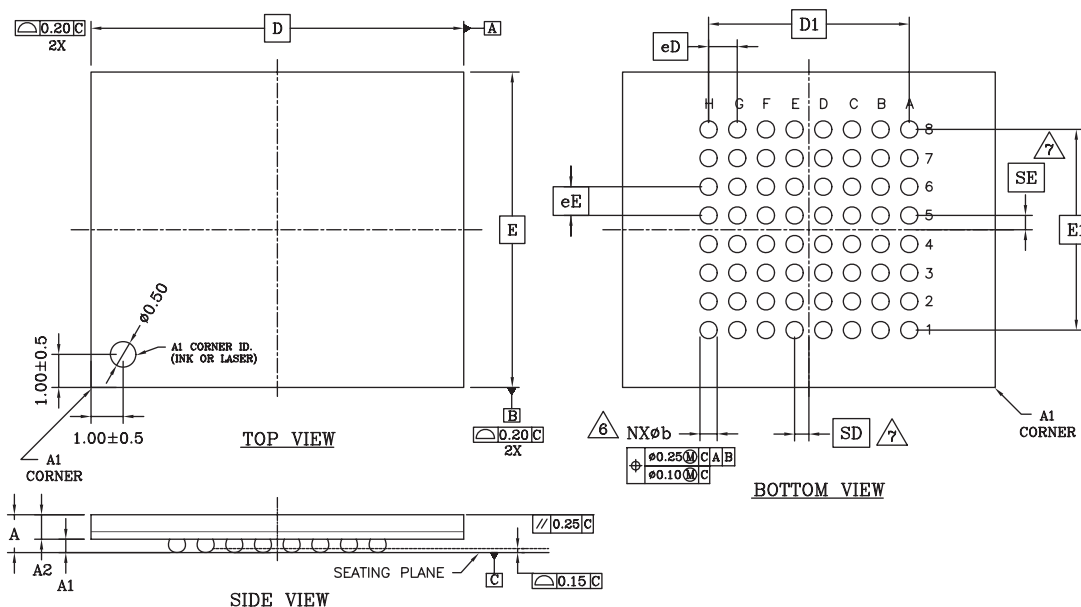


Notes:

1. Top view—balls facing down.
2. A23 is NC on PL127N.

Figure 4.6 Connection Diagram – 64-Ball Fine-Pitch Ball Grid Array (S29PLI27N, S29PL256N)

4.3.5 Physical Dimensions – LAA064, 11 x 13 mm – S29PL-N



PACKAGE	LAA 064			
JEDEC	N/A			
	13.00x11.00 PACKAGE mm			
SYMBOL	MIN.	NOM.	MAX.	NOTE
A	-	-	1.40	PROFILE HEIGHT
A1	0.40	-	-	STANDOFF
A2	0.60	-	-	BODY THICKNESS
D	13.00 BSC.			BODY SIZE
E	11.00 BSC.			BODY SIZE
D1	7.00 BSC.			MATRIX FOOTPRINT
E1	7.00 BSC.			MATRIX FOOTPRINT
MD	8			MATRIX SIZE D DIRECTION
ME	8			MATRIX SIZE E DIRECTION
N	64			BALL COUNT
øb	0.50	0.60	0.70	BALL DIAMETER
øD	1.00 BSC.			BALL PITCH - D DIRECTION
øE	1.00 BSC.			BALL PITCH - E DIRECTION
SD/SE	0.50 BSC.			SOLDER BALL PLACEMENT
	A1-AB, K1-K8			DEPOPULATED SOLDER BALLS

NOTES:

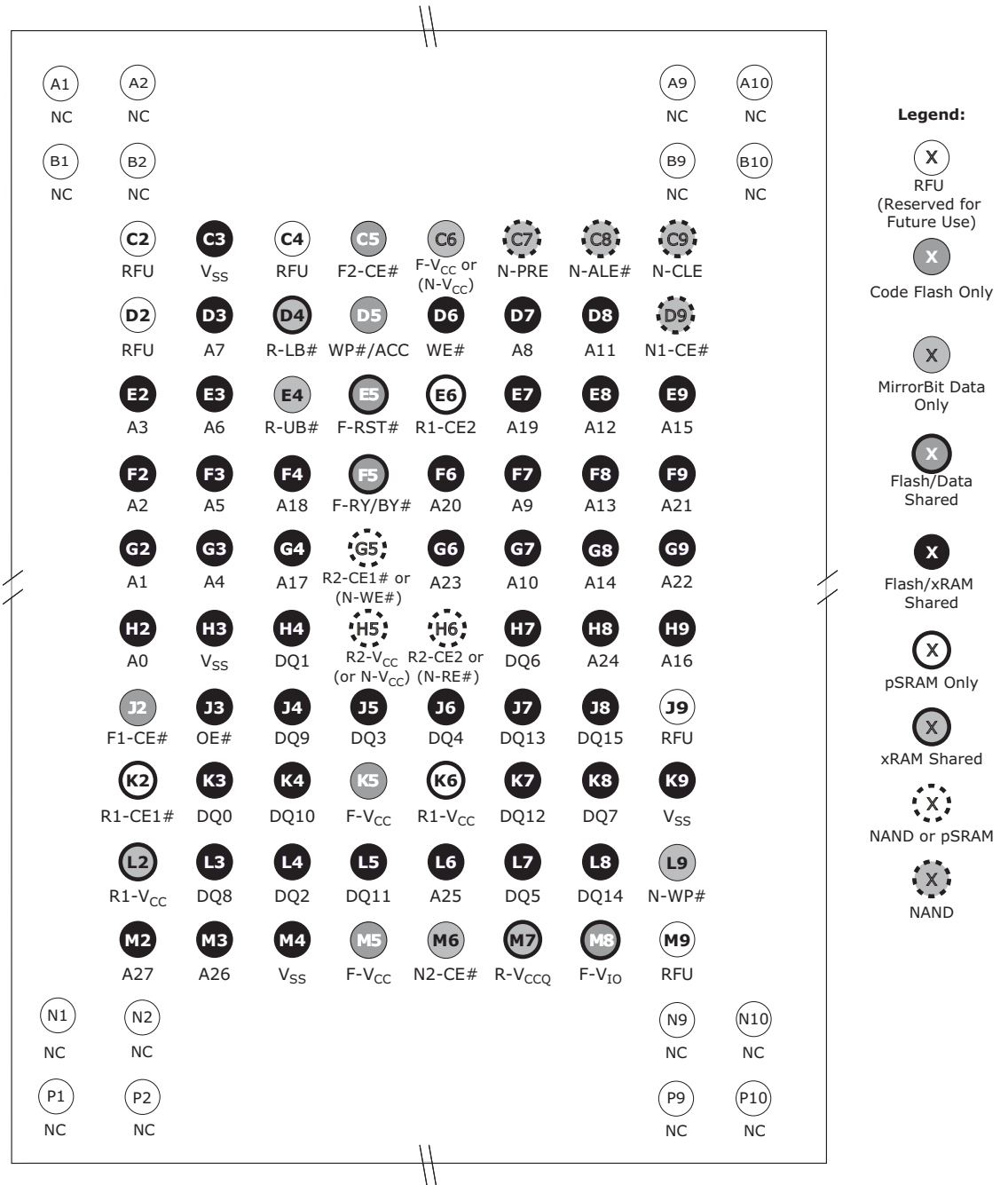
- DIMENSIONING AND TOLERANCING METHODS PER ASME Y14.5M-1994 .
- ALL DIMENSIONS ARE IN MILLIMETERS .
- BALL POSITION DESIGNATION PER JESD 95-1, SPP-010 (EXCEPT AS NOTED).
- ø REPRESENTS THE SOLDER BALL GRID PITCH .
- SYMBOL "MD" IS THE BALL MATRIX SIZE IN THE "D" DIRECTION. SYMBOL "ME" IS THE BALL COLUMN MATRIX SIZE IN THE "E" DIRECTION. N IS THE NUMBER OF POPULATED SOLDER BALL POSITIONS FOR MATRIX SIZE MD X ME. DIMENSION "b" IS MEASURED AT THE MAXIMUM BALL DIAMETER IN A PLANE PARALLEL TO DATUM "C".
- SD AND SE ARE MEASURED WITH RESPECT TO DATUMS A AND B AND DEFINE THE POSITION OF THE CENTER SOLDER BALL IN THE OUTER ROW. WHEN THERE IS AN ODD NUMBER OF SOLDER BALLS IN THE OUTER ROW, SD OR SE = 0.000. WHEN THERE IS AN EVEN NUMBER OF SOLDER BALLS IN THE OUTER ROW, SD OR SE = $\frac{e}{2}$
- "X" IN THE PACKAGE VARIATIONS DENOTES PART IS UNDER QUALIFICATION.
- "+" INDICATES THE THEORETICAL CENTER OF DEPOPULATED BALLS.

Note: Recommended for automotive applications

Figure 4.7 Physical Dimensions – 64-Ball Fortified Ball Grid Array (S29PL-N)

4.4 MCP Look-Ahead Connection Diagram/Physical Dimensions

4.4.1 For All Page Mode MCPs Comprised of Code Flash + (p)SRAM + Data Flash



- Notes:**
1. F1 and F2 denote XIP/Code Flash, while F3 and F4 denote Data/Companion Flash.
 2. In addition to being defined as F2-CE#, Ball C5 can also be assigned as F1-CE2# for code flash that has two chip enable signals.
 3. F-V_{IO} is RFU on the PL-N product family.

Figure 4.8 MCP Look-Ahead Diagram

To provide customers with a migration path to higher densities, as well as the option to stack more die in a package, Spansion has prepared a standard pinout that supports:

- NOR Flash and SRAM densities up to 4 Gb
- NOR Flash and PSRAM densities up to 4 Gb
- NOR Flash and PSRAM and Data Storage densities up to 4 Gb

The signal locations of the resultant MCP device are shown above. Note that for different densities, the actual package outline can vary. However, any pinout in any MCP is a subset of the pinout shown above.

In some cases, there may be outrigger balls in locations outside the grid shown above. In such cases, the user is advised to treat these as RFUs, and not connect them to any other signal.

In case of any further inquiries about the above look-ahead pinout, please see the application note, [Design-in Scalable Wireless Solutions with Spansion Products](#), or contact a Spansion sales office.

5 Additional Resources

Visit www.amd.com and www.fujitsu.com to obtain the following related documents:

Application Notes

- Using the Operation Status Bits in AMD Devices
- Simultaneous Read/Write vs. Erase Suspend/Resume
- MirrorBit™ Flash Memory Write Buffer Programming and Page Buffer Read
- Design-In Scalable Wireless Solutions with Spansion Products
- [Common Flash Interface Version 1.4 Vendor Specific Extensions](#)

Specification Bulletins

Contact your local sales office for details.

Drivers and Software Support

- Spansion Low-Level Drivers
- Enhanced Flash Drivers
- Flash File System

CAD Modeling Support

- VHDL and Verilog
- IBIS
- ORCAD

Technical Support

Contact your local sales office or contact Spansion LLC directly for additional technical support:

Email

US and Canada: HW.support@amd.com

Asia Pacific: asia.support@amd.com

Europe, Middle East, and Africa

Japan: <http://edevice.fujitsu.com/jp/support/tech/#b7>

Frequently Asked Questions (FAQ)

<http://ask.amd.com/>

<http://edevice.fujitsu.com/jp/support/tech/#b7>

Phone

US: (408) 749-5703

Japan (03) 5322-3324

Spansion LLC Locations

915 DeGuigne Drive, P.O. Box 3453

Sunnyvale, CA 94088-3453, USA

Telephone: 408-962-2500 or

1-866-SPANSION

Spansion Japan Limited

4-33-4 Nishi Shinjuku, Shinjuku-ku

Tokyo, 160-0023

Telephone: +81-3-5302-2200

Facsimile: +81-3-5302-2674

<http://www.spansion.com>

6 Product Overview

The S29PLxxxN family consists of 256 and 128 Mb, 3.0 volts-only, simultaneous read/write page-mode read Flash devices that are optimized for wireless designs of today that demand large storage array and rich functionality, while requiring low power consumption. These products also offer 32-word buffer for programming with program and erase suspend/resume functionality. Additional features include:

- Advanced Sector Protection methods for protecting an individual or group of sectors as required,
- 256-word of secured silicon area for storing customer and factory secured information
- Simultaneous Read/Write operation

6.1 Memory Map

The S29PL-N devices consist of 4 banks organized as shown in [Tables 6.1, 6.2, and 6.3](#).

Table 6.1 PL256N Sector and Memory Address Map

Bank	Bank Size	Sector Count	Sector Size (KB)	Sector/ Sector Range	Address Range	Notes
A	4 MB	4	64	SA00	000000h-007FFFh	Sector Starting Address – Sector Ending Address
			64	SA01	008000h-00FFFFh	
			64	SA02	010000h-017FFFh	
			64	SA03	018000h-01FFFFh	
		15	256	SA04	020000h-03FFFFh	Sector Starting Address - Sector Ending Address (see note)
			⋮	⋮	⋮	
B	12 MB	48	256	SA19	200000h-21FFFFh	First Sector, Sector Starting Address - Last Sector, Sector Ending Address (see note)
			⋮	⋮	⋮	
			256	SA66	7E0000h-7FFFFFFh	
C	12 MB	48	256	SA67	800000h-81FFFFh	First Sector, Sector Starting Address - Last Sector, Sector Ending Address (see note)
			⋮	⋮	⋮	
			256	SA114	DE0000h-DFFFFFFh	
D	4 MB	15	256	SA115	E00000h-E1FFFFh	Sector Starting Address - Sector Ending Address (see note)
			⋮	⋮	⋮	
			256	SA129	FC0000h-FDFFFFh	
		4	64	SA130	FE0000h-FE7FFFh	Sector Starting Address - Sector Ending Address
			64	SA131	FE8000h-FEFFFFh	
			64	SA132	FF0000h-FF7FFFh	
64	SA133	FF8000h-FFFFFFh				

Note: Ellipses indicate that other addresses in sector range follow the same pattern.

Table 6.2 PLI27N Sector and Memory Address Map

Bank	Bank Size	Sector Count	Sector Size (KB)	Sector/ Sector Range	Address Range	Notes
A	2 MB	4	64	SA00	000000h-007FFFh	Sector Starting Address - Sector Ending Address
			64	SA01	008000h-00FFFFh	
			64	SA02	010000h-017FFFh	
			64	SA03	018000h-01FFFFh	
		7	256	SA04	020000h-03FFFFh	Sector Starting Address – Sector Ending Address (see note)
			⋮	⋮	⋮	
			256	SA10	0E0000h-0FFFFFh	
B	6 MB	24	256	SA11	100000h-11FFFFh	First Sector, Sector Starting Address - Last Sector, Sector Ending Address (see note)
			⋮	⋮	⋮	
			256	SA34	3E0000h-3FFFFFh	
C	6 MB	24	256	SA35	400000h-41FFFFh	First Sector, Sector Starting Address - Last Sector, Sector Ending Address (see note)
			⋮	⋮	⋮	
			256	SA58	6E0000h-6FFFFFh	
D	2 MB	7	256	SA59	700000h-71FFFFh	Sector Starting Address - Sector Ending Address (see note)
			⋮	⋮	⋮	
			256	SA65	7C0000h-7DFFFFh	
		4	64	SA66	7E0000h-7E7FFFh	Sector Starting Address - Sector Ending Address
			64	SA67	7E8000h-7EFFFFh	
			64	SA68	7F0000h-7F7FFFh	
			64	SA69	7F8000h-7FFFFFh	

Note: Ellipses indicate that other addresses in sector range follow the same pattern.

Table 6.3 PLI29N Sector and Memory Address Map

Bank	Bank Size	Sector Count	Sector Size (KB)	CEI#	CE2#	Sector/ Sector Range	Address Range	Notes
1A	2 MB	4	64	V _{IL}	V _{IH}	SA00	000000h-007FFFh	Sector Starting Address - Sector Ending Address
			64			SA01	008000h-00FFFFh	
			64			SA02	010000h-017FFFh	
			64			SA03	018000h-01FFFFh	
		7	256			SA04	020000h-03FFFFh	Sector Starting Address – Sector Ending Address (see note)
			⋮			⋮	⋮	
			256			SA10	0E0000h-0FFFFFh	
1B	6 MB	24	256	SA11	100000h-11FFFFh	First Sector, Sector Starting Address - Last Sector, Sector Ending Address (see note)		
			⋮	⋮	⋮			
			256	SA34	3E0000h-3FFFFFh			
2A	6 MB	24	256	SA35	000000h-01FFFFh	First Sector, Sector Starting Address - Last Sector, Sector Ending Address (see note)		
			⋮	⋮	⋮			
			256	SA58	2E0000h - 2FFFFFh			
2B	2 MB	7	256	V _{IH}	V _{IL}	SA59	300000h-31FFFFh	Sector Starting Address - Sector Ending Address (see note)
			⋮			⋮	⋮	
			256			SA65	3C0000h-3DFFFFh	
		4	64			SA66	3E0000h-3E7FFFh	Sector Starting Address - Sector Ending Address
			64			SA67	3E8000h-3EFFFFh	
			64			SA68	3F0000h-3F7FFFh	
			64			SA69	3F8000h-3FFFFFh	

7 Device Operations

This section describes the read, program, erase, simultaneous read/write operations, and reset features of the Flash devices.

Operations are initiated by writing specific commands or a sequence with specific address and data patterns into the command registers (see [Table 12.1](#) and [Table 12.2](#)). The command register itself does not occupy any addressable memory location. Instead, the command register is composed of latches that store the commands, along with the address and data information needed to execute the command. The contents of the register serve as input to the internal state machine and the state machine outputs dictate the function of the device. Writing incorrect address and data values or writing them in an improper sequence can place the device in an unknown state, in which case the system must write the reset command to return the device to the reading array data mode.

7.1 Device Operation Table

The device must be setup appropriately for each operation. [Table 7.1](#) describes the required state of each control pin for any particular operation.

Table 7.1 Device Operation

Operation	CE#	OE#	WE#	RESET#	WP#/ACC	Addresses (A _{max} - A0)	DQ15 - DQ0
Read	L	L	H	H	X	A _{IN}	D _{OUT}
Write	L	H	L	H	X (See Note)	A _{IN}	D _{IN}
Standby	H	X	X	H	X	A _{IN}	High-Z
Output Disable	L	H	H	H	X	A _{IN}	High-Z
Reset	X	X	X	L	X	A _{IN}	High-Z

Legend: L = Logic Low = V_{IL} , H = Logic High = V_{IH} , $V_{HH} = 8.5 - 9.5 V$, X = Don't Care, SA = Sector Address, A_{IN} = Address In, D_{IN} = Data In, D_{OUT} = Data Out

Note: WP#/ACC must be high when writing to upper two and lower two sectors (PL256N: 0, 1, 132, and 133; PL127/129N: 0, 1, 68, and 69)

7.1.1 Dual Chip Enable Device Description and Operation (PL129N Only)

The dual CE# product (PL129N) offers a reduced number of address pins to accommodate processors with a limited addressable range. This product operates as two separate devices in a single package and requires the processor to address half of the memory space with one chip enable and the remaining memory space with a second chip enable. For more details on the addressing features of the Dual CE# device refer to [Table 6.3 on page 20](#) for the PL129N Sector and Memory Address Map.

Dual chip enable products must be setup appropriately for each operation. To place the device into the active state either CE1# or CE2# must be set to V_{IL} . To place the device in standby mode, both CE1# and CE2# must be set to V_{IH} . [Table 7.2](#) describes the required state of each control pin for any particular operation.

Table 7.2 Dual Chip Enable Device Operation

Operation	CE1#	CE2#	OE#	WE#	RESET#	WP#/ACC	Addresses (A21 – A0)	DQ15 – DQ0
Read	L	H	L	H	H	X	A _{IN}	D _{OUT}
	H	L						
Write	L	H	H	L	H	X (Note 2)	A _{IN}	D _{IN}
	H	L						
Standby	H	H	X	X	H	X	X	High-Z
Output Disable	L	L	H	H	H	X	X	High-Z
Reset	X	X	X	X	L	X	X	High-Z
Temporary Sector Unprotect (High Voltage)	X	X	X	X	V _{ID}	X	A _{IN}	D _{IN}

Legend: L = Logic Low = V_{IL}, H = Logic High = V_{IH}, V_{ID} = 11.5–12.5 V, V_{HH} = 8.5 – 9.5 V, X = Don't Care, SA = Sector Address, A_{IN} = Address In, D_{IN} = Data In, D_{OUT} = Data Out

Notes:

1. The sector and sector unprotect functions may also be implemented by programming equipment.
2. WP#/ACC must be high when writing to the upper two and lower two sectors.

7.2 Asynchronous Read

The internal state machine is set for reading array data upon device power-up, or after a hardware reset. This ensures that no spurious alteration of the memory content occurs during the power transition. No command is necessary in this mode to obtain array data. Standard microprocessor read cycles that assert valid addresses on the device address inputs produce valid data on the device data outputs. Each bank remains enabled for read access until the command register contents are altered.

7.2.1 Non-Page Random Read

Address access time (t_{ACC}) is equal to the delay from stable addresses to valid output data. The chip enable access time (t_{CE}) is the delay from the stable addresses and stable CE# to valid data at the output inputs. The output enable access time is the delay from the falling edge of the OE# to valid data at the output (assuming the addresses have been stable for at least t_{ACC} – t_{OE} time).

7.2.2 Page Mode Read

The device is capable of fast page mode read and is compatible with the page mode Mask ROM read operation. This mode provides faster read access speed for random locations within a page. The random or initial page access is t_{ACC} or t_{CE} and subsequent page read accesses (as long as the locations specified by the microprocessor falls within that page) is equivalent to t_{PACC}. When CE# is deasserted (= V_{IH}), the reassertion of CE# for subsequent access has access time of t_{ACC} or t_{CE}. Here again, CE# selects the device and OE# is the output control and should be used to gate data to the output inputs if the device is selected. Fast page mode accesses are obtained by keeping A_{max} – A3 constant and changing A2 – A0 to select the specific word within that page.

Address bits A_{max} – A3 select an 8-word page, and address bits A2 – A0 select a specific word within that page. This is an asynchronous operation with the microprocessor supplying the specific word location. See [Table 7.3](#) for details on selecting specific words.

The device is automatically set to reading array data after device power-up. No commands are required to retrieve data. Each bank is ready to read array data after completing an Embedded Program or Embedded Erase algorithm. All addresses are latched on the falling edge of WE# or CE#, whichever happens later. All data is latched on the rising edge of WE# or CE#, whichever happens first.

Reads from the memory array may be performed in conjunction with the Erase Suspend and Program Suspend features. After the device accepts an Erase Suspend command, the corresponding bank enters the erase-suspend-read mode, after which the system can read data from any non-erase-suspended sector within the same bank. The system can read array data using the standard read timing, except that if it reads at an address within erase-suspended sectors, the device outputs status data. After completing a programming operation in the Erase Suspend mode, the system may once again read array data with the same exception. After the device accepts a Program Suspend command, the corresponding bank enters the program-suspend-read mode, after which the system can read data from any non-program-suspended sector within the same bank.

Table 7.3 Word Selection within a Page

Word	A2	A1	A0
Word 0	0	0	0
Word 1	0	0	1
Word 2	0	1	0
Word 3	0	1	1
Word 4	1	0	0
Word 5	1	0	1
Word 6	1	1	0
Word 7	1	1	1

7.3 Autoselect

The Autoselect mode allows the host system to access manufacturer and device identification, and verify sector protection, through identifier codes output from the internal register (separate from the memory array) on DQ15-DQ0. This mode is primarily intended to allow equipment to automatically match a device to be programmed with its corresponding programming algorithm. When verifying sector protection, the sector address must appear on the appropriate highest order address bits (see [Table 7.5](#)). The remaining address bits are don't care. When all necessary bits have been set as required, the programming equipment can then read the corresponding identifier code on DQ15-DQ0.

The Autoselect codes can also be accessed in-system through the command register. Note that if a Bank Address (BA) on the four uppermost address bits is asserted during the third write cycle of the Autoselect command, the host system can read Autoselect data from that bank and then immediately read array data from the other bank, without exiting the Autoselect mode.

- To access the Autoselect codes, the host system must issue the Autoselect command.
- The Autoselect command sequence can be written to an address within a bank that is either in the read or erase-suspend-read mode.
- The Autoselect command cannot be written while the device is actively programming or erasing in the other bank.
- Autoselect does not support simultaneous operations or page modes.
- The system must write the reset command to return to the read mode (or erase-suspend-read mode if the bank was previously in Erase Suspend).

See Table 12.1 for command sequence details.

Table 7.4 Autoselect Codes

Description	CE# See Note	OE#	WE#	A _{max} - AI2	AI0	A9	A8	A7	A6	A5 - A4	A3	A2	AI	A0	DQ15 to DQ0
Manufacturer ID	L	L	H	BA	X	X	X	L	L	X	L	L	L	L	0001h
Device ID: Read Cycle 1	L										L	L	L	H	227Eh
	L	L	H	BA	X	X	X	L	L	L	H	H	H	L	223Ch (PL256N) 2220h (PL127N) 2221h (PL129N)
	L										H	H	H	H	2200h (PL256N) 2200h (PL127N) 2200h (PL129N)
Sector Protection Verification	L	L	H	SA	X	X	X	L	L	L	L	L	H	L	0000h Unprotected (Neither DYB nor PPB Locked), 0001h Protected (Either DYB or PPB Locked)
Indicator Bit	L	L	H	BA	X	X	X	L	L	L	L	L	H	H	- DQ15 - DQ8 = 0 - DQ7 - Factory Lock Bit 1 = Locked, 0 = Not Locked - DQ6 - Customer Lock Bit 1 = Locked, 0 = Not Locked - DQ5 - Handshake Bit 1 = Reserved, 0 = Standard Handshake - DQ4 & DQ3 - WP# Protection Boot Code 00 = WP# Protects both Top Boot and Bottom Boot Sectors, 11 = No WP# Protection - DQ2 - DQ0 = 0

Legend: L = Logic Low = V_{IL}, H = Logic High = V_{IH}, BA = Bank Address, SA = Sector Address, X = Don't care.
Note: For the PL129N Either CE1# or CE2# must be low to access Autoselect Codes

Software Functions and Sample Code

Table 7.5 Autoselect Entry

(LLD Function = Ild_AutoselectEntryCmd)

Cycle	Operation	Word Address	Data
Unlock Cycle 1	Write	Bx555h	0x00AAh
Unlock Cycle 2	Write	Bx2AAh	0x0055h
Autoselect Command	Write	Bx555h	0x0090h

Table 7.6 Autoselect Exit

(LLD Function = Ild_AutoselectExitCmd)

Cycle	Operation	Word Address	Data
Unlock Cycle 1	Write	base + xxxh	0x00F0h

- Notes:**
- Any offset within the device works.
 - BA = Bank Address. The bank address is required.
 - base = base address.

The following is a C source code example of using the autoselect function to read the manufacturer ID. See the *Spansion Low Level Driver User's Guide* (available on www.amd.com and www.fujitsu.com) for general information on Spansion Flash memory software development guidelines.

```
/* Here is an example of Autoselect mode (getting manufacturer ID) */
/* Define UINT16 example: typedef unsigned short UINT16; */

UINT16 manuf_id;

/* Auto Select Entry */

*((UINT16 *)bank_addr + 0x555) = 0x00AA; /* write unlock cycle 1 */
*((UINT16 *)bank_addr + 0x2AA) = 0x0055; /* write unlock cycle 2 */
*((UINT16 *)bank_addr + 0x555) = 0x0090; /* write autoselect command */

/* multiple reads can be performed after entry */

manuf_id = *((UINT16 *)bank_addr + 0x000); /* read manuf. id */

/* Autoselect exit */

*((UINT16 *)base_addr + 0x000) = 0x00F0; /* exit autoselect (write reset command) */
```

7.4 Program/Erase Operations

These devices are capable of single word or write buffer programming operations which are described in the following sections. The write buffer programming is recommended over single word programming as it has clear benefits from greater programming efficiency. See [Table 7.1 on page 21](#) for the correct device settings required before initiation of a write command sequence.

Note the following details regarding the program/erase operations:

- When the Embedded Program algorithm is complete, the device then returns to the read mode.
- The system can determine the status of the program operation by using DQ7 or DQ6. See [Write Operation Status](#) for information on these status bits.
- A 0 cannot be programmed back to a 1. Attempting to do so causes the device to set DQ5 = 1 (halting any further operation and requiring a reset command). A succeeding read shows that the data is still 0.
- Only erase operations can convert a 0 to a 1.
- A hardware reset immediately terminates the program operation and the program command sequence should be reinitiated once the device has returned to the read mode, to ensure data integrity.
- Any commands written to the device during the Embedded Program Algorithm are ignored except the Program Suspend command.
- Secured Silicon Sector, Autoselect, and CFI functions are unavailable when a program operation is in progress.
- Programming is allowed in any sequence and across sector boundaries for single word programming operation.

7.4.1 Single Word Programming

In single word programming mode, four Flash command write cycles are used to program an individual Flash address. While this method is supported by all Spansion devices, in general it is not recommended for devices that support Write Buffer Programming. See [Table 12.1](#) for the required bus cycles and [Figure 7.1](#) for the flowchart.

When the Embedded Program algorithm is complete, the device then returns to the read mode and addresses are no longer latched. The system can determine the status of the program operation by using DQ7 or DQ6. See [Write Operation Status](#) for information on these status bits.

Single word programming is supported for backward compatibility with existing Flash driver software and use of write buffer programming is strongly recommended for general programming. The effective word programming time using write buffer programming is approximately four times faster than the single word programming time.

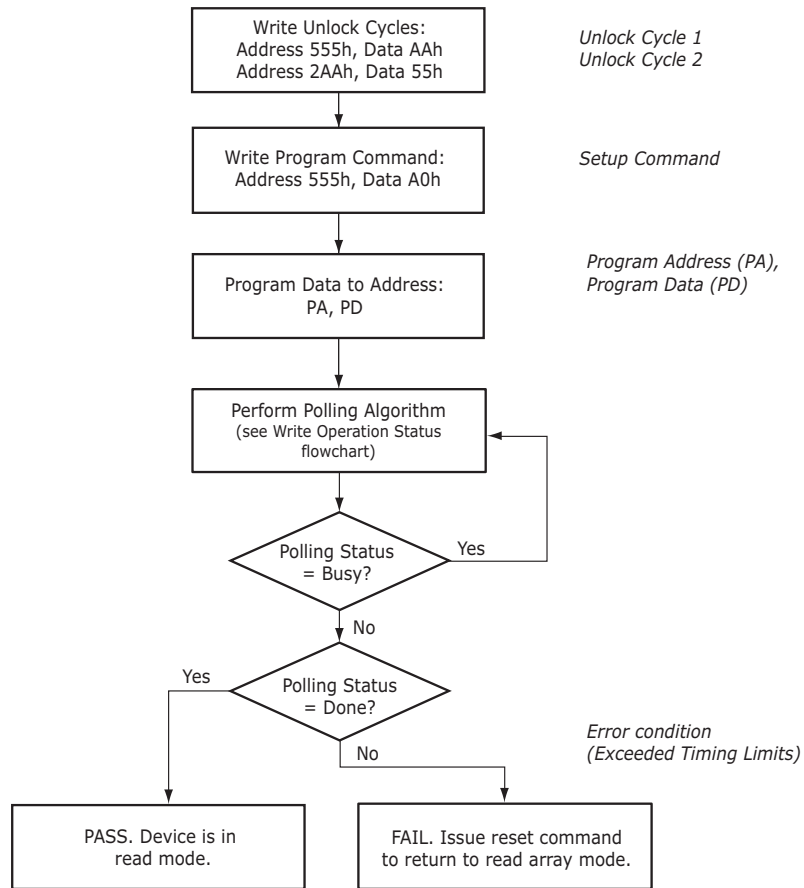


Figure 7.1 Single Word Program Operation

Software Functions and Sample Code

Table 7.7 Single Word Program

(LLD Function = Ild_ProgramCmd)

Cycle	Operation	Word Address	Data
Unlock Cycle 1	Write	Base + 555h	00AAh
Unlock Cycle 2	Write	Base + 2AAh	0055h
Program Setup	Write	Base + 555h	00A0h
Program	Write	Word Address	Data Word

Note: Base = Base Address.

The following is a C source code example of using the single word program function. See the *Spansion Low Level Driver User's Guide* (available on www.amd.com and www.fujitsu.com) for general information on Spansion Flash memory software development guidelines.

```

/* Example: Program Command */
*((UINT16 *)base_addr + 0x555) = 0x00AA; /* write unlock cycle 1 */
*((UINT16 *)base_addr + 0x2AA) = 0x0055; /* write unlock cycle 2 */
*((UINT16 *)base_addr + 0x555) = 0x00A0; /* write program setup command */
*((UINT16 *)pa) = data; /* write data to be programmed */
/* Poll for program completion */
  
```

7.4.2 Write Buffer Programming

Write Buffer Programming allows the system to write a maximum of 32 words in one programming operation. This results in a faster effective word programming time than the standard *word* programming algorithms. The Write Buffer Programming command sequence is initiated by first writing two unlock cycles. This is followed by a third write cycle containing the Write Buffer Load command written at the Sector Address in which programming occurs. At this point, the system writes the number of *word locations minus 1* that is loaded into the page buffer at the Sector Address in which programming occurs. This tells the device how many write buffer addresses are loaded with data and therefore when to expect the *Program Buffer to Flash* confirm command. The number of locations to program cannot exceed the size of the write buffer or the operation aborts. (Number loaded = the number of locations to program minus 1. For example, if the system programs 6 address locations, then 05h should be written to the device.)

The system then writes the starting address/data combination. This starting address is the first address/data pair to be programmed, and selects the *write-buffer-page* address. All subsequent address/data pairs must fall within the elected-write-buffer-page.

The *write-buffer-page* is selected by using the addresses $A_{\max} - A5$.

The *write-buffer-page* addresses must be the same for all address/data pairs loaded into the write buffer. (This means Write Buffer Programming cannot be performed across multiple *write-buffer-page*. This also means that Write Buffer Programming cannot be performed across multiple sectors. If the system attempts to load programming data outside of the selected *write-buffer-page*, the operation ABORTS.)

After writing the Starting Address/Data pair, the system then writes the remaining address/data pairs into the write buffer.

Note that if a Write Buffer address location is loaded multiple times, the *address/data pair* counter decrements for every data load operation. Also, the last data loaded at a location before the *Program Buffer to Flash* confirm command is programmed into the device. The software takes care of the ramifications of loading a write-buffer location more than once. The counter decrements for each data load operation, NOT for each unique write-buffer-address location. Once the specified number of write buffer locations have been loaded, the system must then write the *Program Buffer to Flash* command at the Sector Address. Any other address/data write combinations abort the Write Buffer Programming operation. The device then *goes* busy. The Data Bar polling techniques should be used while monitoring the last address location loaded into the write buffer. This eliminates the need to store an address in memory because the system can load the last address location, issue the program confirm command at the last loaded address location, and then data bar poll at that same address.

The write-buffer *embedded* programming operation can be suspended using the standard suspend/resume commands. Upon successful completion of the Write Buffer Programming operation, the device returns to READ mode.

If the write buffer command sequence is entered incorrectly the device enters write buffer abort. When an abort occurs the *write-to buffer-abort reset* command must be issued to return the device to read mode.

The Write Buffer Programming Sequence is ABORTED under any of the following conditions:

- Load a value that is greater than the page buffer size during the *Number of Locations to Program* step.
- Write to an address in a sector different than the one specified during the *Write-Buffer-Load* command.
- Write an Address/Data pair to a different write-buffer-page than the one selected by the *Starting Address* during the *write buffer data loading* stage of the operation.
- Write data other than the *Confirm Command* after the specified number of *data load* cycles.

Use of the write buffer is strongly recommended for programming when multiple words are to be programmed. Write buffer programming is approximately four times faster than programming one word at a time. Note that the Secured Silicon, the CFI functions, and the Autoselect Codes are not available for read when a write buffer programming operation is in progress.

Software Functions and Sample Code

Table 7.8 Write Buffer Program

(LLD Functions Used = Ild_WriteToBufferCmd, Ild_ProgramBufferToFlashCmd)

Cycle	Description	Operation	Word Address	Data
1	Unlock	Write	Base + 555h	00AAh
2	Unlock	Write	Base + 2AAh	0055h
3	Write Buffer Load Command	Write	Program Address	0025h
4	Write Word Count	Write	Program Address	Word Count (N-1)h
Number of words (N) loaded into the write buffer can be from 1 to 32 words.				
5 to 36	Load Buffer Word N	Write	Program Address, Word N	Word N
Last	Write Buffer to Flash	Write	Sector Address	0029h

Notes:

1. Base = Base Address.
2. Last = Last cycle of write buffer program operation; depending on number of words written, the total number of cycles can be from 6 to 37.
3. For maximum efficiency, it is recommended that the write buffer be loaded with the highest number of words (N words) possible.

The following is a C source code example of using the write buffer program function. See the *Spansion Low Level Driver User's Guide* (available on www.amd.com and www.fujitsu.com) for general information on Spansion Flash memory software development guidelines.

```

/* Example: Write Buffer Programming Command */
/* NOTES: Write buffer programming limited to 16 words. */
/* All addresses to be written to the flash in */
/* one operation must be within the same flash */
/* page. A flash page begins at addresses */
/* evenly divisible by 0x20. */
UINT16 *src = source_of_data; /* address of source data */
UINT16 *dst = destination_of_data; /* flash destination address */
UINT16 wc = words_to_program - 1; /* word count (minus 1) */
*((UINT16 *)base_addr + 0x555) = 0x00AA; /* write unlock cycle 1 */
*((UINT16 *)base_addr + 0x2AA) = 0x0055; /* write unlock cycle 2 */
*((UINT16 *)sector_address) = 0x0025; /* write write buffer load command */
*((UINT16 *)sector_address) = wc; /* write word count (minus 1) */
loop:
*dst = *src; /* ALL dst MUST BE SAME PAGE */ /* write source data to destination */
dst++; /* increment destination pointer */
src++; /* increment source pointer */
if (wc == 0) goto confirm /* done when word count equals zero */
wc--; /* decrement word count */
goto loop; /* do it again */
confirm:
*((UINT16 *)sector_address) = 0x0029; /* write confirm command */
/* poll for completion */

/* Example: Write Buffer Abort Reset */
*((UINT16 *)addr + 0x555) = 0x00AA; /* write unlock cycle 1 */
*((UINT16 *)addr + 0x2AA) = 0x0055; /* write unlock cycle 2 */
*((UINT16 *)addr + 0x555) = 0x00F0; /* write buffer abort reset */

```

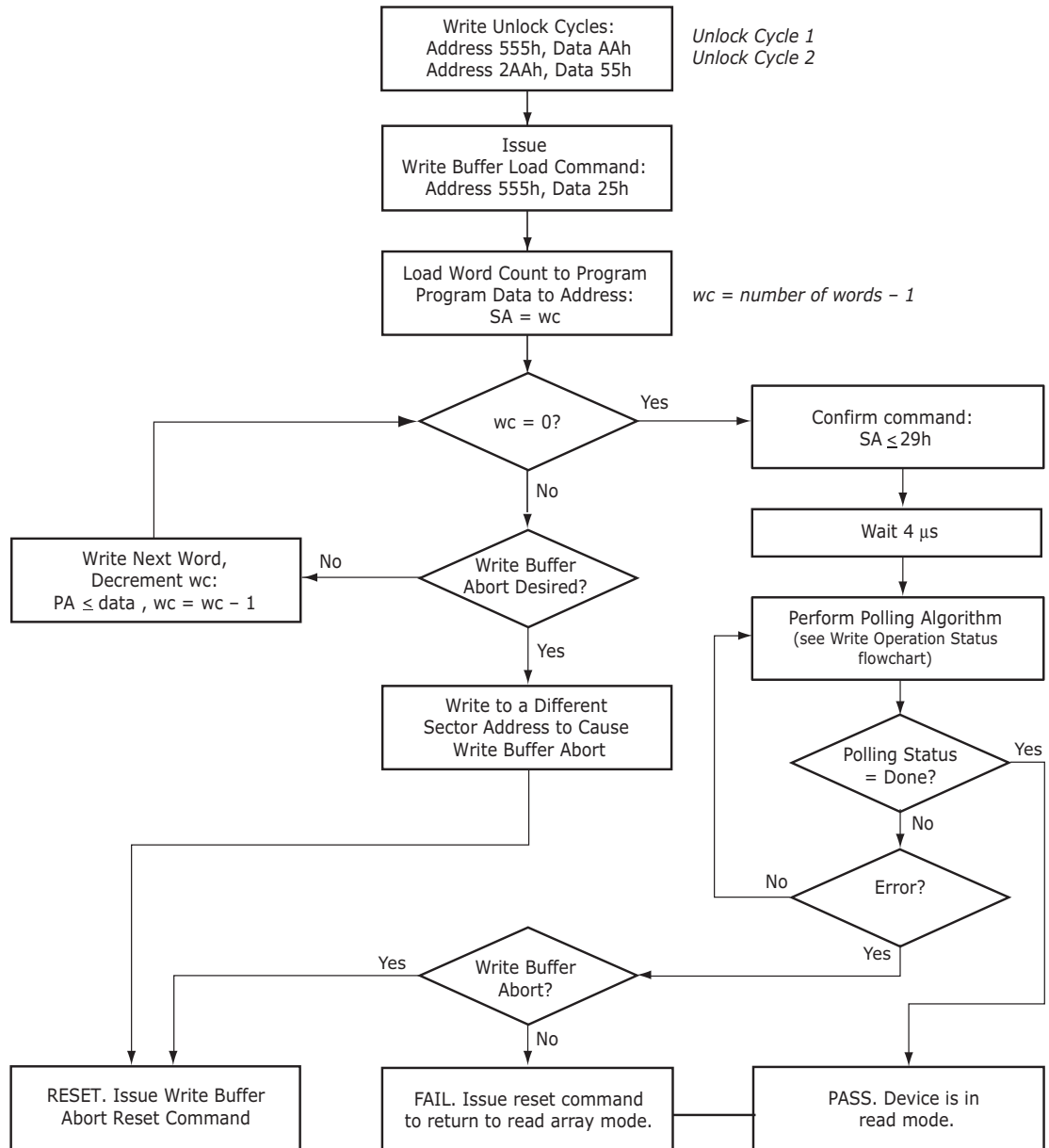


Figure 7.2 Write Buffer Programming Operation

7.4.3 Sector Erase

The sector erase function erases one or more sectors in the memory array. (See [Table 12.1](#), and [Figure 7.3](#).) The device does not require the system to preprogram prior to erase. The Embedded Erase algorithm automatically programs and verifies the entire memory for an all zero data pattern prior to electrical erase. The system is not required to provide any controls or timings during these operations.

After the command sequence is written, a sector erase time-out of no less than t_{SEA} occurs. During the time-out period, additional sector addresses and sector erase commands can be written. Loading the sector erase buffer can be done in any sequence, and the number of sectors can be from one sector to all sectors. The time between these additional cycles must be less than t_{SEA} . Any sector erase address and command following the exceeded time-out (t_{SEA}) may or may not

be accepted. Any command other than Sector Erase or Erase Suspend during the time-out period resets that bank to the read mode. The system can monitor DQ3 to determine if the sector erase timer has timed out (see [DQ3: Sector Erase Timeout State Indicator](#)). The time-out begins from the rising edge of the final WE# pulse in the command sequence.

When the Embedded Erase algorithm is complete, the bank returns to reading array data and addresses are no longer latched. Note that while the Embedded Erase operation is in progress, the system can read data from the non-erasing banks. The system can determine the status of the erase operation by reading DQ7 or DQ6/DQ2 in the erasing bank. See [Write Operation Status](#) for information on these status bits.

Once the sector erase operation has begun, only the Erase Suspend command is valid. All other commands are ignored. However, note that a hardware reset immediately terminates the erase operation. If that occurs, the sector erase command sequence should be reinitiated once that bank has returned to reading array data, to ensure data integrity.

[Figure 7.3](#) illustrates the algorithm for the erase operation. See [AC Characteristics](#) for the Erase/Program Operations parameters and timing diagrams.

Software Functions and Sample Code

Table 7.9 Sector Erase

(LLD Function = `Ild_SectorEraseCmd`)

Cycle	Description	Operation	Word Address	Data
1	Unlock	Write	Base + 555h	00AAh
2	Unlock	Write	Base + 2AAh	0055h
3	Setup Command	Write	Base + 555h	0080h
4	Unlock	Write	Base + 555h	00AAh
5	Unlock	Write	Base + 2AAh	0055h
6	Sector Erase Command	Write	Sector Address	0030h

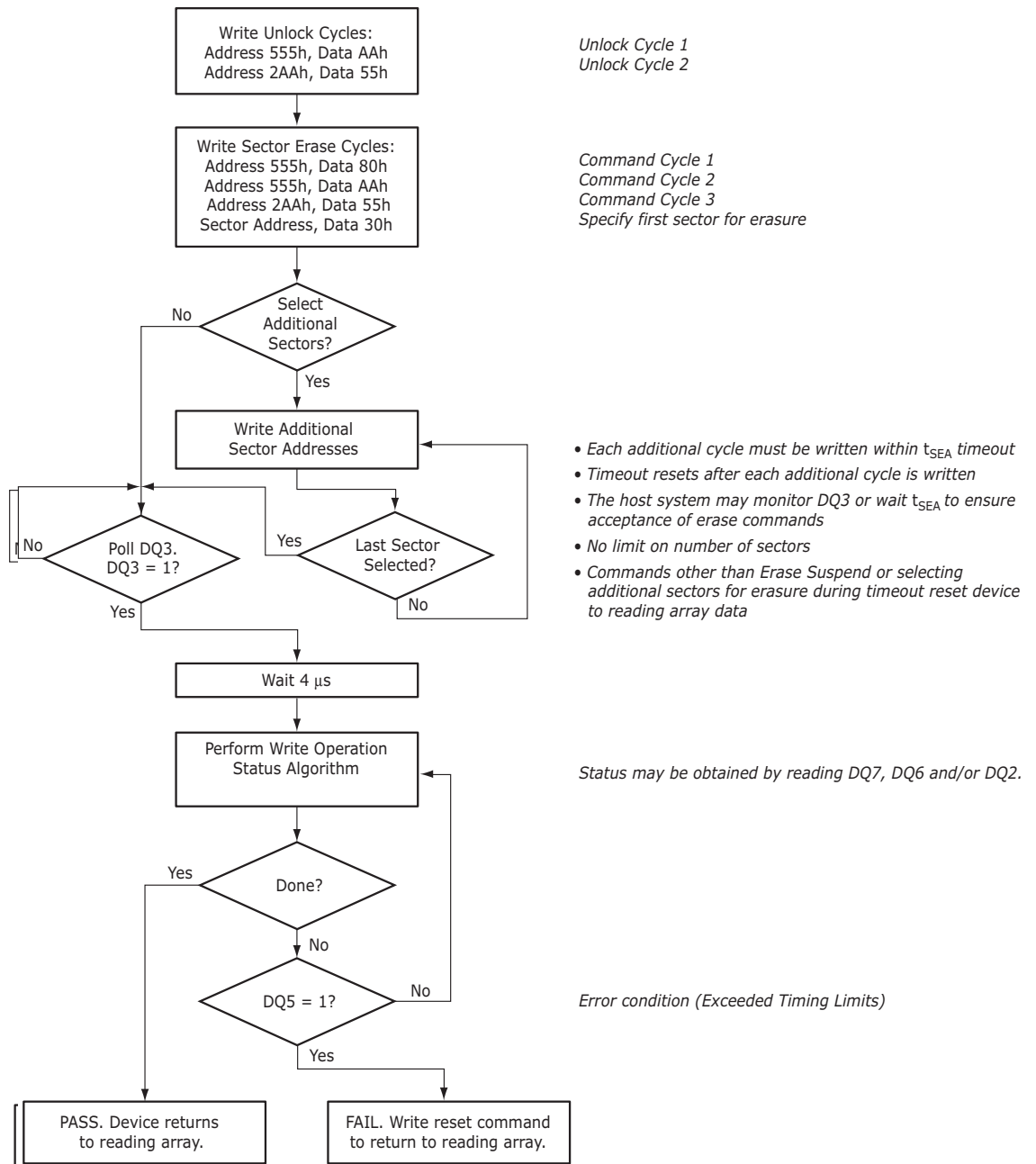
Unlimited additional sectors can be selected for erase; command(s) must be written within t_{SEA} .

The following is a C source code example of using the sector erase function. Refer to the *Spansion Low Level Driver User's Guide* (available on www.amd.com and www.fujitsu.com) for general information on Spansion Flash memory software development guidelines.

```

/* Example: Sector Erase Command */
*((UINT16 *)base_addr + 0x555) = 0x00AA; /* write unlock cycle 1 */
*((UINT16 *)base_addr + 0x2AA) = 0x0055; /* write unlock cycle 2 */
*((UINT16 *)base_addr + 0x555) = 0x0080; /* write setup command */
*((UINT16 *)base_addr + 0x555) = 0x00AA; /* write additional unlock cycle 1 */
*((UINT16 *)base_addr + 0x2AA) = 0x0055; /* write additional unlock cycle 2 */
*((UINT16 *)sector_address) = 0x0030; /* write sector erase command */

```



Notes:

1. See Table 12.1 for erase command sequence.
2. See the section on DQ3 for information on the sector erase timeout.

Figure 7.3 Sector Erase Operation

7.4.4 Chip Erase Command Sequence

Chip erase is a six-bus cycle operation as indicated by Table 12.1. These commands invoke the Embedded Erase algorithm, which does not require the system to preprogram prior to erase. The Embedded Erase algorithm automatically preprograms and verifies the entire memory for an all zero data pattern prior to electrical erase. The system is not required to provide any controls or timings during these operations. The Command Definition tables (Table 12.1 and Table 12.2) show the address and data requirements for the chip erase command sequence.

When the Embedded Erase algorithm is complete, that bank returns to the read mode and addresses are no longer latched. The system can determine the status of the erase operation by using DQ7 or DQ6/DQ2. See [Write Operation Status](#) for information on these status bits.

Any commands written during the chip erase operation are ignored. However, note that a hardware reset immediately terminates the erase operation. If that occurs, the chip erase command sequence should be reinitiated once that bank has returned to reading array data, to ensure data integrity.

Software Functions and Sample Code

Table 7.10 Chip Erase

(LLD Function = `Ild_ChipEraseCmd`)

Cycle	Description	Operation	Word Address	Data
1	Unlock	Write	Base + 555h	00AAh
2	Unlock	Write	Base + 2AAh	0055h
3	Setup Command	Write	Base + 555h	0080h
4	Unlock	Write	Base + 555h	00AAh
5	Unlock	Write	Base + 2AAh	0055h
6	Chip Erase Command	Write	Base + 555h	0010h

The following is a C source code example of using the chip erase function. Refer to the *Span- sion Low Level Driver User's Guide* (available on www.amd.com and www.fujitsu.com) for general information on Spansion Flash memory software development guidelines.

```

/* Example: Chip Erase Command */
/* Note: Cannot be suspended */
*((UINT16 *)base_addr + 0x555) = 0x00AA; /* write unlock cycle 1 */
*((UINT16 *)base_addr + 0x2AA) = 0x0055; /* write unlock cycle 2 */
*((UINT16 *)base_addr + 0x555) = 0x0080; /* write setup command */
*((UINT16 *)base_addr + 0x555) = 0x00AA; /* write additional unlock cycle 1 */
*((UINT16 *)base_addr + 0x2AA) = 0x0055; /* write additional unlock cycle 2 */
*((UINT16 *)base_addr + 0x000) = 0x0010; /* write chip erase command */

```

7.4.5 Erase Suspend/Erase Resume Commands

The Erase Suspend command allows the system to interrupt a sector erase operation and then read data from, or program data to, any sector not selected for erasure. The bank address is required when writing this command. This command is valid only during the sector erase operation, including the minimum t_{SEA} time-out period during the sector erase command sequence. The Erase Suspend command is ignored if written during the chip erase operation.

When the Erase Suspend command is written during the sector erase operation, the device requires a maximum of t_{ESL} (erase suspend latency) to suspend the erase operation. However, when the Erase Suspend command is written during the sector erase time-out, the device immediately terminates the time-out period and suspends the erase operation.

After the erase operation has been suspended, the bank enters the erase-suspend-read mode. The system can read data from or program data to any sector not selected for erasure. (The device *erase suspends* all sectors selected for erasure.) Reading at any address within erase-suspended sectors produces status information on DQ7-DQ0. The system can use DQ7, or DQ6, and DQ2 together, to determine if a sector is actively erasing or is erase-suspended. Refer to [Table 7.18](#) for information on these status bits.

After an erase-suspended program operation is complete, the bank returns to the erase-suspend-read mode. The system can determine the status of the program operation using the DQ7 or DQ6 status bits, just as in the standard program operation.

In the erase-suspend-read mode, the system can also issue the Autoselect command sequence. See [Write Buffer Programming](#) and [Autoselect](#) for details.

To resume the sector erase operation, the system must write the Erase Resume command. The bank address of the erase-suspended bank is required when writing this command. Further writes of the Resume command are ignored. Another Erase Suspend command can be written after the chip has resumed erasing.

Software Functions and Sample Code

Table 7.II Erase Suspend

(LLD Function = `lld_EraseSuspendCmd`)

Cycle	Operation	Word Address	Data
1	Write	Bank Address	00B0h

The following is a C source code example of using the erase suspend function. Refer to the *Spansion Low Level Driver User's Guide* (available on www.amd.com and www.fujitsu.com) for general information on Spansion Flash memory software development guidelines.

```
/* Example: Erase suspend command */
*((UINT16 *)bank_addr + 0x000) = 0x00B0; /* write suspend command */
```

Table 7.I2 Erase Resume

(LLD Function = `lld_EraseResumeCmd`)

Cycle	Operation	Word Address	Data
1	Write	Bank Address	0030h

The following is a C source code example of using the erase resume function. Refer to the *Spansion Low Level Driver User's Guide* (available on www.amd.com and www.fujitsu.com) for general information on Spansion Flash memory software development guidelines.

```
/* Example: Erase resume command */
*((UINT16 *)bank_addr + 0x000) = 0x0030; /* write resume command */
/* The flash needs adequate time in the resume state */
```

7.4.6 Program Suspend/Program Resume Commands

The Program Suspend command allows the system to interrupt an embedded programming operation or a *Write to Buffer* programming operation so that data can read from any non-suspended sector. When the Program Suspend command is written during a programming process, the device halts the programming operation within t_{pSL} (program suspend latency) and updates the status bits.

After the programming operation has been suspended, the system can read array data from any non-suspended sector. The Program Suspend command can also be issued during a programming operation while an erase is suspended. In this case, data can be read from any addresses not in Erase Suspend or Program Suspend. If a read is needed from the Secured Silicon Sector area, then user must use the proper command sequences to enter and exit this region.

The system can also write the Autoselect command sequence when the device is in Program Suspend mode. The device allows reading Autoselect codes in the suspended sectors, since the codes are not stored in the memory array. When the device exits the Autoselect mode, the device reverts to Program Suspend mode, and is ready for another valid operation. See [Autoselect](#) for more information.

After the Program Resume command is written, the device reverts to programming. The system can determine the status of the program operation using the DQ7 or DQ6 status bits, just as in the standard program operation. See [Write Operation Status](#) for more information.

The system must write the Program Resume command (address bits are *don't cares*) to exit the Program Suspend mode and continue the programming operation. Further writes of the Program Resume command are ignored. Another Program Suspend command can be written after the device has resumed programming.

Software Functions and Sample Code

Table 7.13 Program Suspend

(LLD Function = `Ild_ProgramSuspendCmd`)

Cycle	Operation	Word Address	Data
1	Write	Bank Address	00B0h

The following is a C source code example of using the program suspend function. Refer to the *Spansion Low Level Driver User's Guide* (available on www.amd.com and www.fujitsu.com) for general information on Spansion Flash memory software development guidelines.

```
/* Example: Program suspend command */
*((UINT16 *)base_addr + 0x000) = 0x00B0; /* write suspend command */
```

Table 7.14 Program Resume

(LLD Function = `Ild_ProgramResumeCmd`)

Cycle	Operation	Word Address	Data
1	Write	Bank Address	0030h

The following is a C source code example of using the program resume function. Refer to the *Spansion Low Level Driver User's Guide* (available on www.amd.com and www.fujitsu.com) for general information on Spansion Flash memory software development guidelines.

```
/* Example: Program resume command */
*((UINT16 *)base_addr + 0x000) = 0x0030; /* write resume command */
```

7.4.7 Accelerated Program

Accelerated single word programming, write buffer programming, sector erase, and chip erase operations are enabled through the ACC function. This method is faster than the standard chip program and erase command sequences.

The accelerated chip program and erase functions must not be used more than 10 times per sector. In addition, accelerated chip program and erase should be performed at room temperature ($25^{\circ}\text{C} \pm 10^{\circ}\text{C}$).

This function is primarily intended to allow faster manufacturing throughput at the factory. If the system asserts V_{HH} on this input, the device automatically enters the aforementioned Unlock Bypass mode and uses the higher voltage on the input to reduce the time required for program and erase operations. The system can then use the Write Buffer Load command sequence provided by the Unlock Bypass mode. Note that if a *Write-to-Buffer-Abort Reset* is required while in Unlock

Bypass mode, the full 3-cycle RESET command sequence must be used to reset the device. Removing V_{HH} from the ACC input, upon completion of the embedded program or erase operation, returns the device to normal operation.

- Sectors must be unlocked prior to raising WP#/ACC to V_{HH} .
- The WP#/ACC must not be at V_{HH} for operations other than accelerated programming and accelerated chip erase, or device damage can result.
- Set the ACC pin at V_{CC} when accelerated programming not in use.

7.4.8 Unlock Bypass

The device features an Unlock Bypass mode to facilitate faster word programming. Once the device enters the Unlock Bypass mode, only two write cycles are required to program data, instead of the normal four cycles.

This mode dispenses with the initial two unlock cycles required in the standard program command sequence, resulting in faster total programming time. Table 12.1, Memory Array Commands shows the requirements for the unlock bypass command sequences.

During the unlock bypass mode, only the Read, Unlock Bypass Program and Unlock Bypass Reset commands are valid. To exit the unlock bypass mode, the system must issue the two-cycle unlock bypass reset command sequence. The first cycle must contain the bank address and the data 90h. The second cycle need only contain the data 00h. The bank then returns to the read mode.

Software Functions and Sample Code

The following are C source code examples of using the unlock bypass entry, program, and exit functions. Refer to the *Spansion Low Level Driver User's Guide* (available soon on www.amd.com and www.fujitsu.com) for general information on Spansion Flash memory software development guidelines.

Table 7.15 Unlock Bypass Entry

(LLD Function = Ild_UnlockBypassEntryCmd)

Cycle	Description	Operation	Word Address	Data
1	Unlock	Write	Base + 555h	00AAh
2	Unlock	Write	Base + 2AAh	0055h
3	Entry Command	Write	Base + 555h	0020h

```

/* Example: Unlock Bypass Entry Command */
*((UINT16 *)bank_addr + 0x555) = 0x00AA; /* write unlock cycle 1 */
*((UINT16 *)bank_addr + 0x2AA) = 0x0055; /* write unlock cycle 2 */
*((UINT16 *)bank_addr + 0x555) = 0x0020; /* write unlock bypass command */
/* At this point, programming only takes two write cycles. */
/* Once you enter Unlock Bypass Mode, do a series of like */
/* operations (programming or sector erase) and then exit */
/* Unlock Bypass Mode before beginning a different type of */
/* operations. */

```

Table 7.16 Unlock Bypass Program

(LLD Function = Ild_UnlockBypassProgramCmd)

Cycle	Description	Operation	Word Address	Data
1	Program Setup Command	Write	Base +xxxh	00A0h
2	Program Command	Write	Program Address	Program Data

```

/* Example: Unlock Bypass Program Command */
/* Do while in Unlock Bypass Entry Mode! */
*((UINT16 *)bank_addr + 0x555) = 0x00A0; /* write program setup command */
*((UINT16 *)pa) = data; /* write data to be programmed */
/* Poll until done or error. */
/* If done and more to program, */
/* do above two cycles again. */

```

Table 7.17 Unlock Bypass Reset

(LLD Function = Ild_UnlockBypassResetCmd)

Cycle	Description	Operation	Word Address	Data
1	Reset Cycle 1	Write	Base +xxxh	0090h
2	Reset Cycle 2	Write	Base +xxxh	0000h

```

/* Example: Unlock Bypass Exit Command */
*((UINT16 *)base_addr + 0x000) = 0x0090;
*((UINT16 *)base_addr + 0x000) = 0x0000;

```

7.4.9 Write Operation Status

The device provides several bits to determine the status of a program or erase operation. The following subsections describe the function of DQ1, DQ2, DQ3, DQ5, DQ6, and DQ7.

DQ7: Data# Polling. The Data# Polling bit, DQ7, indicates to the host system whether an Embedded Program or Erase algorithm is in progress or completed, or whether a bank is in Erase Suspend. Data# Polling is valid after the rising edge of the final WE# pulse in the command sequence. Note that the Data# Polling is valid only for the last word being programmed in the write-buffer-page during Write Buffer Programming. Reading Data# Polling status on any word other than the last word to be programmed in the write-buffer-page returns false status information.

During the Embedded Program algorithm, the device outputs on DQ7 the complement of the datum programmed to DQ7. This DQ7 status also applies to programming during Erase Suspend. When the Embedded Program algorithm is complete, the device outputs the datum programmed to DQ7. The system must provide the program address to read valid status information on DQ7. If a program address falls within a protected sector, Data# polling on DQ7 is active for approximately t_{PSP} , then that bank returns to the read mode.

During the Embedded Erase Algorithm, Data# polling produces a 0 on DQ7. When the Embedded Erase algorithm is complete, or if the bank enters the Erase Suspend mode, Data# Polling produces a 1 on DQ7. The system must provide an address within any of the sectors selected for erasure to read valid status information on DQ7.

After an erase command sequence is written, if all sectors selected for erasing are protected, Data# Polling on DQ7 is active for approximately t_{ASP} , then the bank returns to the read mode. If not all selected sectors are protected, the Embedded Erase algorithm erases the unprotected sectors, and ignores the selected sectors that are protected. However, if the system reads DQ7 at an address within a protected sector, the status may not be valid.

Just prior to the completion of an Embedded Program or Erase operation, DQ7 can change asynchronously with DQ6 – DQ0 while Output Enable (OE#) is asserted low. That is, the device may change from providing status information to valid data on DQ7. Depending on when the system

samples the DQ7 output, it may read the status or valid data. Even if the device has completed the program or erase operation and DQ7 has valid data, the data outputs on DQ6 – DQ0 may be still invalid. Valid data on DQ7 – DQ0 appears on successive read cycles.

See the following for more information: [Table 7.18, Write Operation Status](#), shows the outputs for Data# Polling on DQ7. [Figure 7.4, Write Operation Status Flowchart](#), shows the Data# Polling algorithm. [Figure 11.13, Data# Polling Timings \(During Embedded Algorithms\)](#) shows the Data# Polling timing diagram.

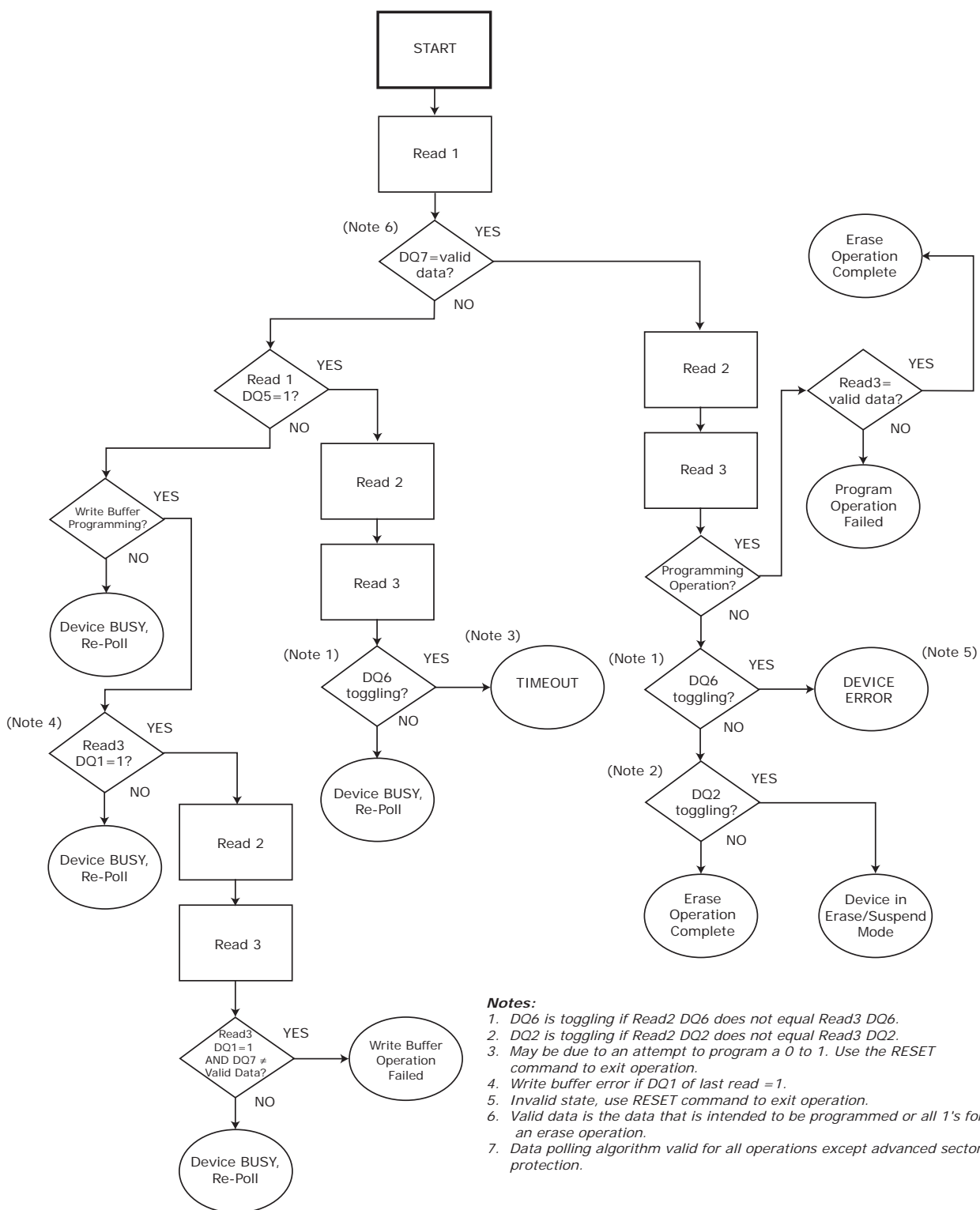


Figure 7.4 Write Operation Status Flowchart

DQ6: Toggle Bit I . Toggle Bit I on DQ6 indicates whether an Embedded Program or Erase algorithm is in progress or complete, or whether the device has entered the Erase Suspend mode. Toggle Bit I can be read at any address in the same bank, and is valid after the rising edge of the final WE# pulse in the command sequence (prior to the program or erase operation), and during the sector erase time-out.

During an Embedded Program or Erase algorithm operation, successive read cycles to any address cause DQ6 to toggle. When the operation is complete, DQ6 stops toggling.

After an erase command sequence is written, if all sectors selected for erasing are protected, DQ6 toggles for approximately t_{ASP} (all sectors protected toggle time), then returns to reading array data. If not all selected sectors are protected, the Embedded Erase algorithm erases the unprotected sectors, and ignores the selected sectors that are protected.

The system can use DQ6 and DQ2 together to determine whether a sector is actively erasing or is erase-suspended. When the device is actively erasing (that is, the Embedded Erase algorithm is in progress), DQ6 toggles. When the device enters the Erase Suspend mode, DQ6 stops toggling. However, the system must also use DQ2 to determine which sectors are erasing or erase-suspended. Alternatively, the system can use DQ7, see [DQ7: Data# Polling](#).

If a program address falls within a protected sector, DQ6 toggles for approximately t_{PAP} after the program command sequence is written, then returns to reading array data.

DQ6 also toggles during the erase-suspend-program mode, and stops toggling once the Embedded Program Algorithm is complete.

See the following for additional information: [Figure 7.4, Write Operation Status Flowchart](#), [Figure 11.14, Toggle Bit Timings \(During Embedded Algorithms\)](#), [Table 7.18, Write Operation Status](#), and [Figure 11.15, DQ2 vs. DQ6](#).

Toggle Bit I on DQ6 requires either OE# or CE# to be de-asserted and reasserted to show the change in state.

DQ2: Toggle Bit II . The *Toggle Bit II* on DQ2, when used with DQ6, indicates whether a particular sector is actively erasing (that is, the Embedded Erase algorithm is in progress), or whether that sector is erase-suspended. Toggle Bit II is valid after the rising edge of the final WE# pulse in the command sequence. DQ2 toggles when the system reads at addresses within those sectors that have been selected for erasure. But DQ2 cannot distinguish whether the sector is actively erasing or is erase-suspended. DQ6, by comparison, indicates whether the device is actively erasing, or is in Erase Suspend, but cannot distinguish which sectors are selected for erasure. Thus, both status bits are required for sector and mode information. Refer to [Table 7.18, Write Operation Status](#) to compare outputs for DQ2 and DQ6. See the following for additional information: [Figure 7.4, Write Operation Status Flowchart](#) and [Figure 11.14, Toggle Bit Timings \(During Embedded Algorithms\)](#).

Reading Toggle Bits DQ6/DQ2. Whenever the system initially begins reading toggle bit status, it must read DQ7 – DQ0 at least twice in a row to determine whether a toggle bit is toggling. Typically, the system would note and store the value of the toggle bit after the first read. After the second read, the system would compare the new value of the toggle bit with the first. If the toggle bit is not toggling, the device has completed the program or erases operation. The system can read array data on DQ7 – DQ0 on the following read cycle. However, if after the initial two read cycles, the system determines that the toggle bit is still toggling, the system also should note whether the value of DQ5 is high (see the section on DQ5). If it is, the system should then determine again whether the toggle bit is toggling, since the toggle bit might have stopped toggling just as DQ5 went high. If the toggle bit is no longer toggling, the device has successfully completed the program or erases operation. If it is still toggling, the device did not complete the operation successfully, and the system must write the reset command to return to reading array data. The remaining scenario is that the system initially determines that the toggle bit is toggling and DQ5 has not gone high. The system may continue to monitor the toggle bit and DQ5 through

successive read cycles, determining the status as described in the previous paragraph. Alternatively, it can choose to perform other system tasks. In this case, the system must start at the beginning of the algorithm when it returns to determine the status of the operation. Refer to [Figure 7.4, Write Operation Status Flowchart](#) for more details.

DQ5: Exceeded Timing Limits. DQ5 indicates whether the program or erase time has exceeded a specified internal pulse count limit. Under these conditions DQ5 produces a *1*, indicating that the program or erase cycle was not successfully completed. The device may output a *1* on DQ5 if the system tries to program a *1* to a location that was previously programmed to *0*. Only an erase operation can change a *0* back to a *1*. Under this condition, the device halts the operation, and when the timing limit has been exceeded, DQ5 produces a *1*. Under both these conditions, the system must write the reset command to return to the read mode (or to the erase-suspend-read mode if a bank was previously in the erase-suspend-program mode).

DQ3: Sector Erase Timeout State Indicator. After writing a sector erase command sequence, the system may read DQ3 to determine whether or not erasure has begun. (The sector erase timer does not apply to the chip erase command.) If additional sectors are selected for erasure, the entire time-out also applies after each additional sector erase command. When the time-out period is complete, DQ3 switches from a *0* to a *1*. If the time between additional sector erase commands from the system can be assumed to be less than t_{SEA} , the system need not monitor DQ3. See Sector Erase Command Sequence for more details.

After the sector erase command is written, the system should read the status of DQ7 (Data# Polling) or DQ6 (Toggle Bit I) to ensure that the device has accepted the command sequence, and then read DQ3. If DQ3 is *1*, the Embedded Erase algorithm has begun; all further commands (except Erase Suspend) are ignored until the erase operation is complete. If DQ3 is *0*, the device accepts additional sector erase commands. To ensure the command has been accepted, the system software should check the status of DQ3 prior to and following each sub-subsequent sector erase command. If DQ3 is high on the second status check, the last command might not have been accepted. [Table 7.18](#) shows the status of DQ3 relative to the other status bits.

DQ1: Write to Buffer Abort. DQ1 indicates whether a Write to Buffer operation was aborted. Under these conditions DQ1 produces a *1*. The system must issue the Write to Buffer Abort Reset command sequence to return the device to reading array data. See Write Buffer Programming Operation for more details.

Table 7.18 Write Operation Status

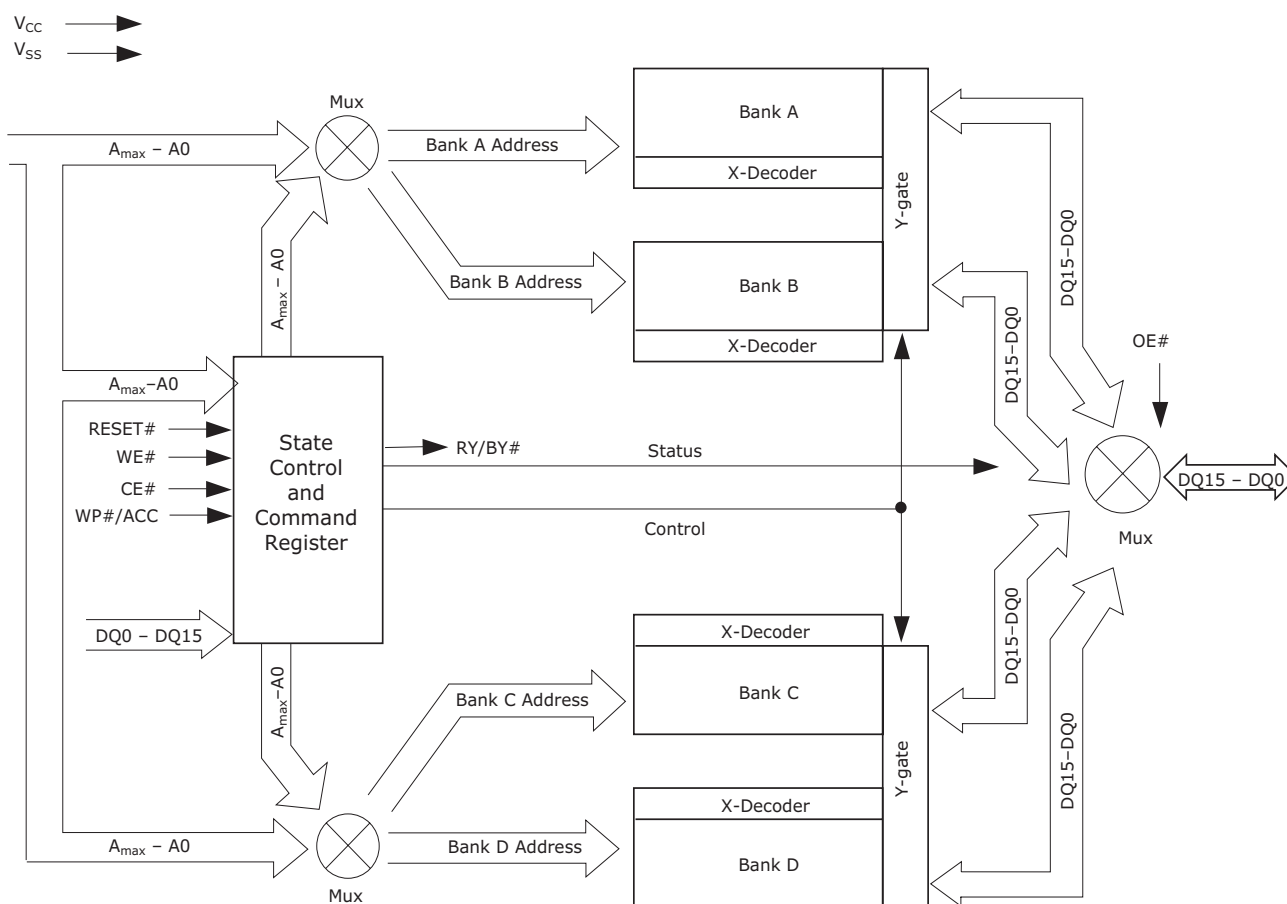
Status		DQ7 (Note 2)	DQ6	DQ5 (Note 1)	DQ3	DQ2 (Note 2)	DQ1 (Note 4)	
Standard Mode	Embedded Program Algorithm	DQ7#	Toggle	0	N/A	No toggle	0	
	Embedded Erase Algorithm	0	Toggle	0	1	Toggle	N/A	
Program Suspend Mode (Note 3)	Reading within Program Suspended Sector	INVALID (Not Allowed)	INVALID (Not Allowed)	INVALID (Not Allowed)	INVALID (Not Allowed)	INVALID (Not Allowed)	INVALID (Not Allowed)	
	Reading within Non-Program Suspended Sector	Data	Data	Data	Data	Data	Data	
Erase Suspend Mode	Erase-Suspend-Read	Erase Suspended Sector	1	No Toggle	0	N/A	Toggle	N/A
		Non-Erase Suspended Sector	Data	Data	Data	Data	Data	Data
	Erase-Suspend-Program	DQ7#	Toggle	0	N/A	N/A	N/A	
Erase Suspend Mode	Erase-Suspend-Read	Erase Suspended Sector	1	No toggle	0	N/A	Toggle	N/A
		Non-Erase Suspended Sector	Data	Data	Data	Data	Data	Data
	Erase-Suspend-Program	DQ7#	Toggle	0	N/A	N/A	N/A	
Write to Buffer (Note 5)	BUSY State	DQ7#	Toggle	0	N/A	N/A	0	
	Exceeded Timing Limits	DQ7#	Toggle	1	N/A	N/A	0	
	ABORT State	DQ7#	Toggle	0	N/A	N/A	1	

Notes:

1. DQ5 switches to '1' when an Embedded Program or Embedded Erase operation has exceeded the maximum timing limits. Refer to the section on DQ5 for more information.
2. DQ7 a valid address when reading status information. Refer to the appropriate subsection for further details.
3. Data are invalid for addresses in a Program Suspended sector.
4. DQ1 indicates the Write to Buffer ABORT status during Write Buffer Programming operations.
5. The data-bar polling algorithm should be used for Write Buffer Programming operations. Note that DQ7# during Write Buffer Programming indicates the data-bar for DQ7 data **for the LAST LOADED WRITE-BUFFER ADDRESS location**.

7.5 Simultaneous Read/Write

The simultaneous read/write feature allows the host system to read data from one bank of memory while programming or erasing another bank of memory. An erase operation may also be suspended to read from or program another location within the same bank (except the sector being erased). [Figure 11.12, Back-to-back Read/Write Cycle Timings](#) shows how read and write cycles may be initiated for simultaneous operation with zero latency. See the table, [DC Characteristics](#) for read-while-program and read-while-erase current specifications.



Note: $A_{max} = A23$ (PL256N), $A22$ (PL127N)

Figure 7.5 Simultaneous Operation Block Diagram for S29PL256N and S29PL127N

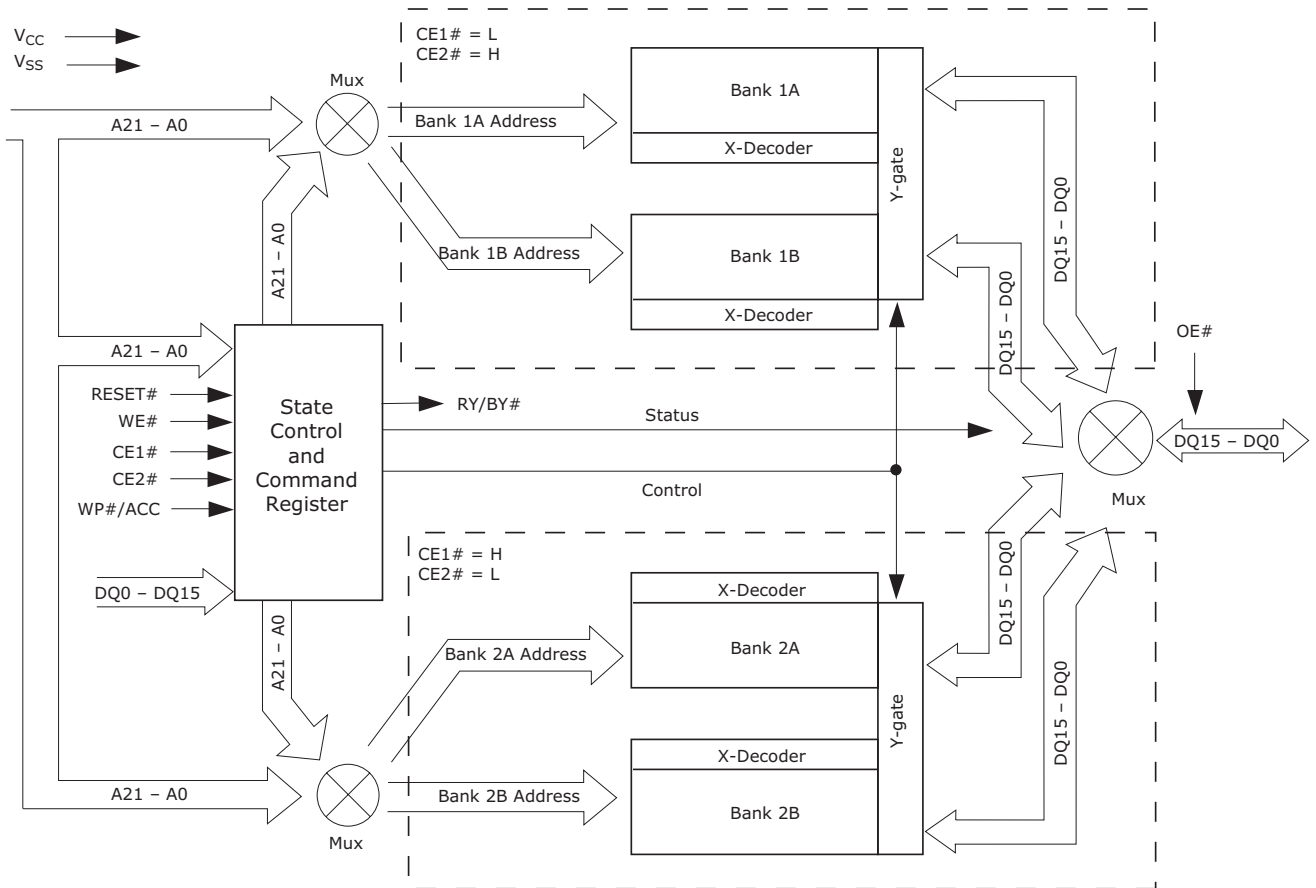


Figure 7.6 Simultaneous Operation Block Diagram for S29PLI29N

7.6 Writing Commands/Command Sequences

During a write operation, the system must drive CE# and WE# to V_{IL} and OE# to V_{IH} when providing an address, command, and data. Addresses are latched on the last falling edge of WE# or CE#, while data is latched on the 1st rising edge of WE# or CE#. An erase operation can erase one sector, multiple sectors, or the entire device. [Table 6.1](#) and [Table 6.2](#) indicate the address space that each sector occupies. The device address space is divided into four banks: Banks B and C contain only 128 Kword sectors, while Banks A and D contain both 32 Kword boot sectors in addition to 128 Kword sectors. A *bank address* is the set of address bits required to uniquely select a bank. Similarly, a *sector address* is the address bits required to uniquely select a sector. I_{CC2} in [DC Characteristics](#) represents the active current specification for the write mode. see [AC Characteristics](#) contains timing specification tables and timing diagrams for write operations.

7.7 Hardware Reset

The RESET# input provides a hardware method of resetting the device to reading array data. When RESET# is driven low for at least a period of t_{RP} , the device immediately terminates any operation in progress, tristates all outputs, and ignores all read/write commands for the duration of the RESET# pulse. The device also resets the internal state machine to reading array data.

To ensure data integrity the operation that was interrupted should be reinitiated once the device is ready to accept another command sequence.

When RESET# is held at V_{SS} , the device draws CMOS standby current (I_{CC4}). If RESET# is held at V_{IL} , but not at V_{SS} , the standby current is greater.

RESET# may be tied to the system reset circuitry which enables the system to read the boot-up firmware from the Flash memory upon a system reset.

See Figure 11.5 and Figure 11.8 for timing diagrams.

7.8 Software Reset

Software reset is part of the command set (see Table 12.1) that also returns the device to array read mode and must be used for the following conditions:

1. To exit Autoselect mode
2. To reset software when DQ5 goes high during write status operation that indicates program or erase cycle was not successfully completed
3. To exit sector lock/unlock operation.
4. To return to erase-suspend-read mode if the device was previously in Erase Suspend mode.
5. To reset software after any aborted operations

Software Functions and Sample Code

Table 7.19 Reset

(LLD Function = `lld_ResetCmd`)

Cycle	Operation	Word Address	Data
Reset Command	Write	Base + xxxh	00F0h

Note: *Base = Base Address.*

The following is a C source code example of using the reset function. Refer to the *Spansion Low Level Driver User's Guide* (available on www.amd.com and www.fujitsu.com) for general information on Spansion Flash memory software development guidelines.

```
/* Example: Reset (software reset of Flash state machine) */
*( (UINT16 *)base_addr + 0x000 ) = 0x00F0;
```

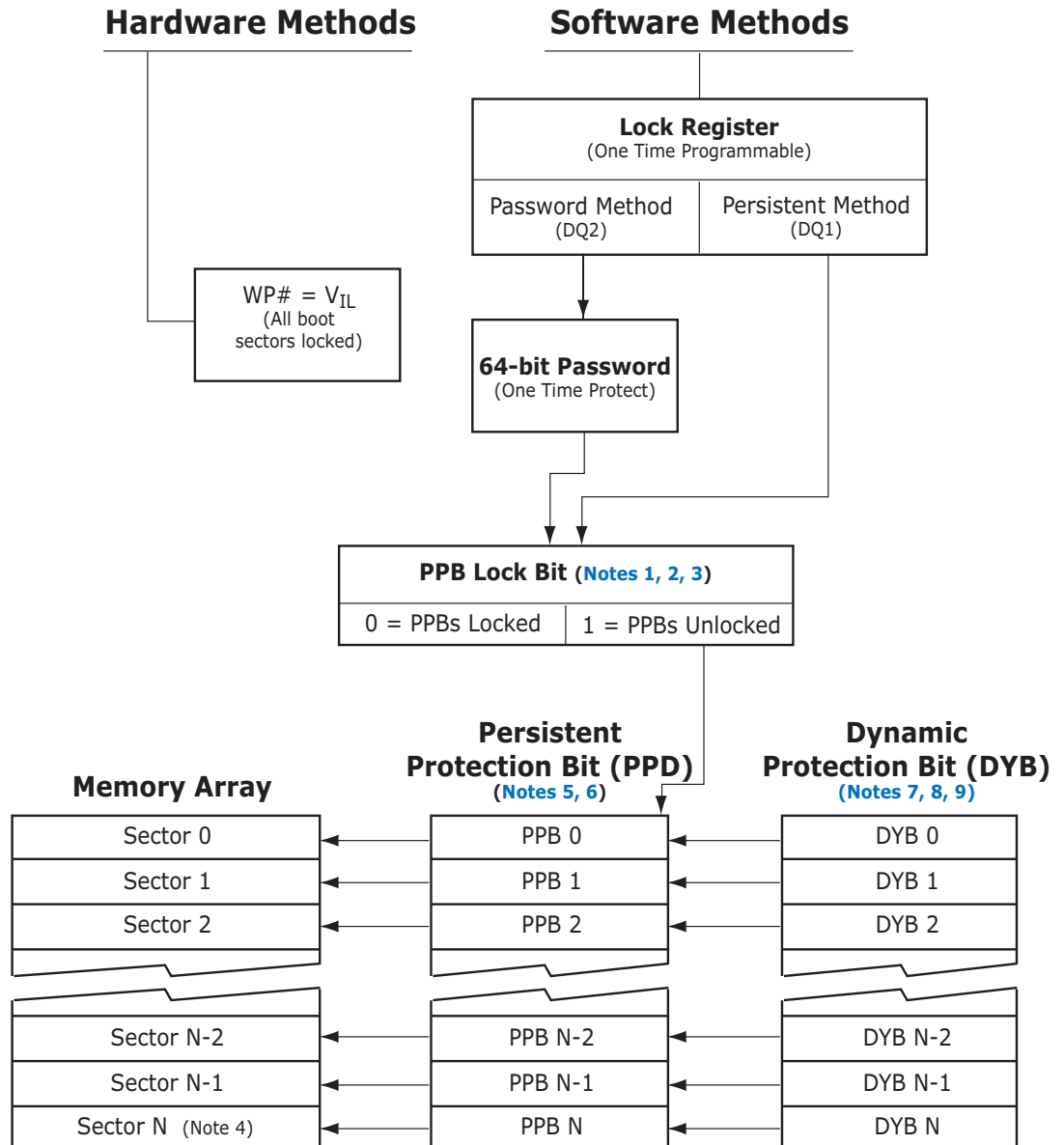
The following are additional points to consider when using the reset command:

- This command resets the banks to the read and address bits are ignored.
- Reset commands are ignored once erasure has begun until the operation is complete.
- Once programming begins, the device ignores reset commands until the operation is complete
- The reset command may be written between the cycles in a program command sequence before programming begins (prior to the third cycle). This resets the bank to which the system was writing to the read mode.
- If the program command sequence is written to a bank that is in the Erase Suspend mode, writing the reset command returns that bank to the erase-suspend-read mode.
- The reset command may be also written during an Autoselect command sequence.

- If a bank has entered the Autoselect mode while in the Erase Suspend mode, writing the reset command returns that bank to the erase-suspend-read mode.
- If DQ1 goes high during a Write Buffer Programming operation, the system must write the *Write to Buffer Abort Reset* command sequence to RESET the device to reading array data. The standard RESET command does not work during this condition.
- To exit the unlock bypass mode, the system must issue a two-cycle unlock bypass reset command sequence (see command tables for detail).

8 Advanced Sector Protection/Unprotection

The Advanced Sector Protection/Unprotection feature disables or enables programming or erase operations in any or all sectors and can be implemented through software and/or hardware methods, which are independent of each other. This section describes the various methods of protecting data stored in the memory array. An overview of these methods is shown in [Figure 8.1](#).



Notes:

1. Bit is volatile, and defaults to 1 on reset.
2. Programming to 0 locks all PPBs to their current state.
3. Once programmed to 0, requires hardware reset to unlock.
4. N = Highest Address Sector.
5. 0 = Sector Protected,
1 = Sector Unprotected.
6. PPBs programmed individually, but cleared collectively.
7. 0 = Sector Protected,
1 = Sector Unprotected.
8. Protect effective only if PPB Lock Bit is unlocked and corresponding PPB is 1 (unprotected).
9. Volatile Bits: defaults to user choice upon power-up (see ordering options).

Figure 8.1 Advanced Sector Protection/Unprotection

8.1 Lock Register

As shipped from the factory, all devices default to the persistent mode when power is applied, and all sectors are unprotected, unless otherwise chosen through the DYB ordering option (see [Ordering Information](#)). The device programmer or host system must then choose which sector protection method to use. Programming (setting to 0) any one of the following two one-time programmable, non-volatile bits locks the part permanently in that mode:

- Lock Register Persistent Protection Mode Lock Bit (DQ1)
- Lock Register Password Protection Mode Lock Bit (DQ2)

Table 8.1 Lock Register

Device	DQ15 – 05	DQ4	DQ3	DQ2	DQ1	DQ0
S29PL256N	Undefined	DYB Lock Boot Bit 0 = sectors power up protected 1 = sectors power up unprotected	PPB One-Time Programmable Bit 0 = All PPB erase command disabled 1 = All PPB Erase command enabled	Password Protection Mode Lock Bit	Persistent Protection Mode Lock Bit	Secured Silicon Sector Protection Bit

For programming lock register bits see [Table 12.2](#).

Notes

1. If the password mode is chosen, the password must be programmed before setting the corresponding lock register bit.
2. After the Lock Register Bits Command Set Entry command sequence is written, reads and writes for Bank A are disabled, while reads from other banks are allowed until exiting this mode.
3. If both lock bits are selected to be programmed (to zeros) at the same time, the operation aborts.
4. Once the Password Mode Lock Bit is programmed, the Persistent Mode Lock Bit is permanently disabled, and no changes to the protection scheme are allowed. Similarly, if the Persistent Mode Lock Bit is programmed, the Password Mode is permanently disabled.

After selecting a sector protection method, each sector can operate in any of the following three states:

1. *Constantly locked.* The selected sectors are protected and cannot be reprogrammed unless PPB lock bit is cleared via a password, hardware reset, or power cycle.
2. *Dynamically locked.* The selected sectors are protected and can be altered via software commands.
3. *Unlocked.* The sectors are unprotected and can be erased and/or programmed.

These states are controlled by the bit types described in Sections [8.2](#) – [8.6](#).

8.2 Persistent Protection Bits

The Persistent Protection Bits are unique and nonvolatile for each sector and have the same endurance as the Flash memory. Preprogramming and verification prior to erasure are handled by the device, and therefore do not require system monitoring.

Notes

1. Each PPB is individually programmed and all are erased in parallel.
2. Entry command disables reads and writes for the bank selected.
3. Reads within that bank return the PPB status for that sector.
4. Reads from other banks are allowed while writes are not allowed.
5. All Reads must be performed using the Asynchronous mode.
6. The specific sector addresses (A23 – A14 PL256N and A22 – A14 PL127N/PL129N) are written at the same time as the program command.
7. If the PPB Lock Bit is set, the PPB Program or erase command does not execute and times-out without programming or erasing the PPB.
8. There are no means for individually erasing a specific PPB and no specific sector address is required for this operation.
9. Exit command must be issued after the execution which resets the device to read mode and re-enables reads and writes for Bank A.
10. The programming state of the PPB for a given sector can be verified by writing a PPB Status Read Command to the device as described by the flow chart below.

8.3 Dynamic Protection Bits

Dynamic Protection Bits are volatile and unique for each sector and can be individually modified. DYBs only control the protection scheme for unprotected sectors that have their PPBs cleared (erased to 1). By issuing the DYB Set or Clear command sequences, the DYBs are set (programmed to 0) or cleared (erased to 1), thus placing each sector in the protected or unprotected state respectively. This feature allows software to easily protect sectors against inadvertent changes yet does not prevent the easy removal of protection when changes are needed.

Notes

1. The DYBs can be set (programmed to 0) or cleared (erased to 1) as often as needed. When the parts are first shipped, the PPBs are cleared (erased to 1) and upon power up or re-set, the DYBs can be set or cleared depending upon the ordering option chosen.
2. If the option to clear the DYBs after power up is chosen, (erased to 1), then the sectors may be modified depending upon the PPB state of that sector.
3. The sectors would be in the protected state if the option to set the DYBs after power up is chosen (programmed to 0).
4. It is possible to have sectors that are persistently locked with sectors that are left in the dynamic state.
5. The DYB Set or Clear commands for the dynamic sectors signify protected or unprotected state of the sectors respectively. However, if there is a need to change the status of the persistently locked sectors, a few more steps are required. First, the PPB Lock Bit must be cleared by either putting the device through a power-cycle, or hardware reset. The PPBs can then be changed to reflect the desired settings. Setting the PPB Lock Bit once again locks the PPBs, and the device operates normally again.
6. To achieve the best protection, it is recommended to execute the PPB Lock Bit Set command early in the boot code and protect the boot code by holding $WP\# = V_{IL}$. Note that the PPB and DYB bits have the same function when $WP\#/ACC = V_{HH}$ as they do when $WP\#/ACC = V_{IH}$.

8.4 Persistent Protection Bit Lock Bit

The Persistent Protection Bit Lock Bit is a global volatile bit for all sectors. When set (programmed to 0), this bit locks all PPB and when cleared (programmed to 1), unlocks each sector. There is only one PPB Lock Bit per device.

Notes

1. No software command sequence unlocks this bit unless the device is in the password protection mode; only a hardware reset or a power-up clears this bit.
2. The PPB Lock Bit must be set (programmed to 0) only after all PPBs are configured to the desired settings.

8.5 Password Protection Method

The Password Protection Method allows an even higher level of security than the Persistent Sector Protection Mode by requiring a 64-bit password for unlocking the device PPB Lock Bit. In addition to this password requirement, after power up and reset, the PPB Lock Bit is set 0 to maintain the password mode of operation. Successful execution of the Password Unlock command by entering the entire password clears the PPB Lock Bit, allowing for sector PPBs modifications.

Notes

1. There is no special addressing order required for programming the password. Once the Password is written and verified, the Password Mode Locking Bit must be set to prevent access.
2. The Password Program Command is only capable of programming 0s. Programming a 1 after a cell is programmed as a 0 results in a time-out with the cell as a 0.
3. The password is all 1s when shipped from the factory.
4. All 64-bit password combinations are valid as a password.
5. There is no means to verify what the password is after it is set.
6. The Password Mode Lock Bit, once set, prevents reading the 64-bit password on the data bus and further password programming.
7. The Password Mode Lock Bit is not erasable.
8. The lower two address bits (A1 – A0) are valid during the Password Read, Password Program, and Password Unlock.
9. The exact password must be entered in order for the unlocking function to occur.
10. The Password Unlock command cannot be issued any faster than 1 μ s at a time to prevent a hacker from running through all the 64-bit combinations in an attempt to correctly match a password.
11. Approximately 1 μ s is required for unlocking the device after the valid 64-bit password is given to the device.
12. Password verification is only allowed during the password programming operation.
13. All further commands to the password region are disabled and all operations are ignored.
14. If the password is lost after setting the Password Mode Lock Bit, there is no way to clear the PPB Lock Bit.
15. Entry command sequence must be issued prior to any of any operation and it disables reads and writes for Bank A. Reads and writes for other banks excluding Bank A are allowed.
16. If the user attempts to program or erase a protected sector, the device ignores the command and returns to read mode.
17. A program or erase command to a protected sector enables status polling and returns to read mode without having modified the contents of the protected sector.
18. The programming of the DYB, PPB, and PPB Lock for a given sector can be verified by writing individual status read commands DYB Status, PPB Status, and PPB Lock Status to the device.

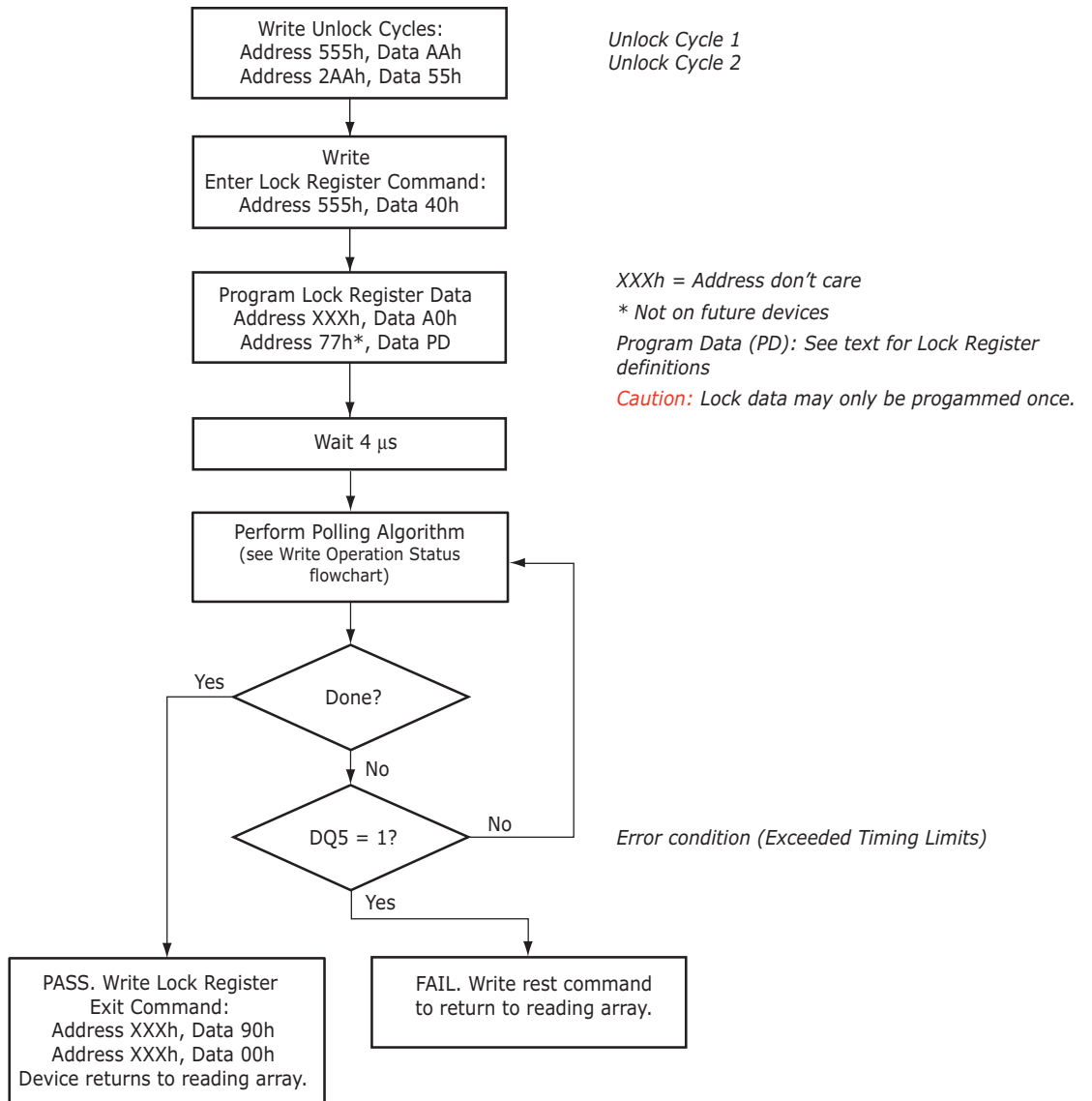


Figure 8.2 Lock Register Program Algorithm

8.6 Advanced Sector Protection Software Examples

Table 8.2 Sector Protection Schemes

Unique Device PPB Lock Bit 0 = locked, 1 = unlocked		Sector PPB 0 = protected 1 = unprotected	Sector DYB 0 = protected 1 = unprotected	Sector Protection Status
Any Sector	0	0	x	Protected through PPB
Any Sector	0	0	x	Protected through PPB
Any Sector	0	1	1	Unprotected
Any Sector	0	1	0	Protected through DYB
Any Sector	1	0	x	Protected through PPB
Any Sector	1	0	x	Protected through PPB
Any Sector	1	1	0	Protected through DYB
Any Sector	1	1	1	Unprotected

Table 8.2 contains all possible combinations of the DYB, PPB, and PPB Lock Bit relating to the status of the sector. In summary, if the PPB Lock Bit is locked (set to 0), no changes to the PPBs are allowed. The PPB Lock Bit can only be unlocked (reset to 1) through a hardware reset or power cycle. See also Figure 8.1 for an overview of the Advanced Sector Protection feature.

8.7 Hardware Data Protection Methods

The device offers data protection at the sector level via hardware control:

- When WP#/ACC is at V_{IL} , the four outermost sectors are locked (device specific).

There are additional methods by which intended or accidental erasure of any sectors can be prevented via hardware means. The following subsections describes these methods:

8.7.1 WP# Method

The Write Protect feature provides a hardware method of protecting the four outermost sectors. This function is provided by the WP#/ACC pin and overrides the previously discussed Sector Protection/Unprotection method.

If the system asserts V_{IL} on the WP#/ACC pin, the device disables program and erase functions in the *outermost* boot sectors. The outermost boot sectors are the sectors containing both the lower and upper set of sectors in a dual-boot-configured device.

If the system asserts V_{IH} on the WP#/ACC pin, the device reverts to whether the boot sectors were last set to be protected or unprotected. That is, sector protection or unprotection for these sectors depends on whether they were last protected or unprotected.

Note that the WP#/ACC pin must not be left floating or unconnected as inconsistent behavior of the device may result.

The WP#/ACC pin must be held stable during a command sequence execution

8.7.2 Low V_{CC} Write Inhibit

When V_{CC} is less than V_{LKO} , the device does not accept any write cycles. This protects data during V_{CC} power-up and power-down.

The command register and all internal program/erase circuits are disabled, and the device resets to reading array data. Subsequent writes are ignored until V_{CC} is greater than V_{LKO} . The system must provide the proper signals to the control inputs to prevent unintentional writes when V_{CC} is greater than V_{LKO} .

8.7.3 Write Pulse *Glitch Protection*

Noise pulses of less than 3 ns (typical) on OE#, CE# or WE# do not initiate a write cycle.

8.7.4 Power-Up Write Inhibit

If WE# = CE# = RESET# = V_{IL} and OE# = V_{IH} during power up, the device does not accept commands on the rising edge of WE#. The internal state machine is automatically reset to the read mode on powerup.

9 Power Conservation Modes

9.1 Standby Mode

When the system is not reading or writing to the device, it can place the device in the standby mode. In this mode, current consumption is greatly reduced, and the outputs are placed in the high impedance state, independent of the OE# input. The device enters the CMOS standby mode when the CE# and RESET# inputs are both held at $V_{CC} \pm 0.2$ V. The device requires standard access time (t_{CE}) for read access, before it is ready to read data. If the device is deselected during erasure or programming, the device draws active current until the operation is completed. I_{CC3} in [DC Characteristics](#) represents the standby current specification

9.2 Automatic Sleep Mode

The automatic sleep mode minimizes Flash device energy consumption while in asynchronous mode. The device automatically enables this mode when addresses remain stable for $t_{ACC} + 20$ ns. The automatic sleep mode is independent of the CE#, WE#, and OE# control signals. Standard address access timings provide new data when addresses are changed. While in sleep mode, output data is latched and always available to the system. I_{CC6} in [DC Characteristics](#) represents the automatic sleep mode current specification.

9.3 Hardware RESET# Input Operation

The RESET# input provides a hardware method of resetting the device to reading array data. When RESET# is driven low for at least a period of t_{RP} , the device immediately terminates any operation in progress, tristates all outputs, resets the configuration register, and ignores all read/write commands for the duration of the RESET# pulse. The device also resets the internal state machine to reading array data. The operation that was interrupted should be reinitiated once the device is ready to accept another command sequence to ensure data integrity.

When RESET# is held at $V_{SS} \pm 0.2$ V, the device draws CMOS standby current (I_{CC4}). If RESET# is held at V_{IL} but not within $V_{SS} \pm 0.2$ V, the standby current is greater.

RESET# may be tied to the system reset circuitry and thus, a system reset would also reset the Flash memory, enabling the system to read the boot-up firmware from the Flash memory.

9.4 Output Disable (OE#)

When the OE# input is at V_{IH} , output from the device is disabled. The outputs are placed in the high impedance state.

10 Secured Silicon Sector Flash Memory Region

The Secured Silicon Sector provides an extra Flash memory region that enables permanent part identification through an Electronic Serial Number (ESN). The Secured Silicon Sector is 256 words in length that consists of 128 words for factory data and 128 words for customer-secured areas. All Secured Silicon reads outside of the 256-word address range returns invalid data. The Factory Indicator Bit, DQ7, (at Autoselect address 03h) is used to indicate whether or not the Factory Secured Silicon Sector is locked when shipped from the factory. The Customer Indicator Bit (DQ6) is used to indicate whether or not the Customer Secured Silicon Sector is locked when shipped from the factory.

Note the following general conditions:

- While the Secured Silicon Sector access is enabled, simultaneous operations are allowed except for Bank A.
- On power up, or following a hardware reset, the device reverts to sending commands to the normal address space.
- Reads outside of sector 0 return memory array data.
- Sector 0 is remapped from the memory array to the Secured Silicon Sector array.
- Once the Secured Silicon Sector Entry Command is issued, the Secured Silicon Sector Exit command must be issued to exit Secured Silicon Sector Mode.
- The Secured Silicon Sector is not accessible when the device is executing an Embedded Program or Embedded Erase algorithm.

Table 10.1 Secured Silicon Sector Addresses

Sector	Sector Size	Address Range
Customer	128 words	000080h-0000FFh
Factory	128 words	000000h-00007Fh

10.1 Factory Secured Silicon Sector

The Factory Secured Silicon Sector is always protected when shipped from the factory and has the Factory Indicator Bit (DQ7) permanently set to a 1. This prevents cloning of a factory locked part and ensures the security of the ESN and customer code once the product is shipped to the field.

These devices are available pre programmed with one of the following:

- A random, 8-word secure ESN only within the Factory Secured Silicon Sector
- Customer code within the Customer Secured Silicon Sector through the Spansion™ programming service.
- Both a random, secure ESN and customer code through the Spansion programming service.

Customers may opt to have their code programmed through the Spansion programming services. Spansion programs the customer's code, with or without the random ESN. The devices are then shipped from the Spansion factory with the Factory Secured Silicon Sector and Customer Secured Silicon Sector permanently locked. Contact your local representative for details on using Spansion programming services.

10.2 Customer Secured Silicon Sector

The Customer Secured Silicon Sector is typically shipped unprotected (DQ6 set to 0), allowing customers to utilize that sector in any manner they choose. If the security feature is not required, the Customer Secured Silicon Sector can be treated as an additional Flash memory space.

Please note the following:

- Once the Customer Secured Silicon Sector area is protected, the Customer Indicator Bit is permanently set to 1.
- The Customer Secured Silicon Sector can be read any number of times, but can be programmed and locked only once. The Customer Secured Silicon Sector lock must be used with caution as once locked, there is no procedure available for unlocking the Customer Secured Silicon Sector area and none of the bits in the Customer Secured Silicon Sector memory space can be modified in any way.
- The accelerated programming (ACC) and unlock bypass functions are *not* available when programming the Customer Secured Silicon Sector, but are available when reading in Banks B through D.
- Once the Customer Secured Silicon Sector is locked and verified, the system must write the Exit Secured Silicon Sector Region command sequence which return the device to the memory array at sector 0.

10.3 Secured Silicon Sector Entry and Exit Command Sequences

The system can access the Secured Silicon Sector region by issuing the three-cycle Enter Secured Silicon Sector command sequence. The device continues to access the Secured Silicon Sector region until the system issues the four-cycle Exit Secured Silicon Sector command sequence.

See the Command Definition Tables

[Table 12.1, Memory Array Commands.](#)

[Table 12.2, Sector Protection Commands](#) for address and data requirements for both command sequences.

The Secured Silicon Sector Entry Command allows the following commands to be executed

- Read customer and factory Secured Silicon areas
- Program the customer Secured Silicon Sector

After the system has written the Enter Secured Silicon Sector command sequence, it may read the Secured Silicon Sector by using the addresses normally occupied by sector SA0 within the memory array. This mode of operation continues until the system issues the Exit Secured Silicon Sector command sequence, or until power is removed from the device.

Software Functions and Sample Code

The following are C functions and source code examples of using the Secured Silicon Sector Entry, Program, and exit commands. Refer to the *Spansion Low Level Driver User Guide* (available soon on www.amd.com and www.fujitsu.com) for general information on Spansion Flash memory software development guidelines.

Table 10.2 Secured Silicon Sector Entry

(LLD Function = Ild_SecSiSectorEntryCmd)

Cycle	Operation	Word Address	Data
Unlock Cycle 1	Write	Base + 555h	00AAh
Unlock Cycle 2	Write	Base + 2AAh	0055h
Entry Cycle	Write	Base + 555h	0088h

Note: Base = Base Address.

```
/* Example: SecSi Sector Entry Command */
*((UINT16 *)base_addr + 0x555) = 0x00AA; /* write unlock cycle 1 */
*((UINT16 *)base_addr + 0x2AA) = 0x0055; /* write unlock cycle 2 */
*((UINT16 *)base_addr + 0x555) = 0x0088; /* write Secsi Sector Entry Cmd */
```

Table 10.3 Secured Silicon Sector Program

(LLD Function = Ild_ProgramCmd)

Cycle	Operation	Word Address	Data
Unlock Cycle 1	Write	Base + 555h	00AAh
Unlock Cycle 2	Write	Base + 2AAh	0055h
Program Setup	Write	Base + 555h	00A0h
Program	Write	Word Address	Data Word

Note: Base = Base Address.

```
/* Once in the SecSi Sector mode, you program */
/* words using the programming algorithm. */
```

Table 10.4 Secured Silicon Sector Exit

(LLD Function = Ild_SecSiSectorExitCmd)

Cycle	Operation	Word Address	Data
Unlock Cycle 1	Write	Base + 555h	00AAh
Unlock Cycle 2	Write	Base + 2AAh	0055h
Exit Cycle	Write	Base + 555h	0090h

Note: Base = Base Address.

```
/* Example: SecSi Sector Exit Command */
*((UINT16 *)base_addr + 0x555) = 0x00AA; /* write unlock cycle 1 */
*((UINT16 *)base_addr + 0x2AA) = 0x0055; /* write unlock cycle 2 */
*((UINT16 *)base_addr + 0x555) = 0x0090; /* write SecSi Sector Exit cycle 3 */
*((UINT16 *)base_addr + 0x000) = 0x0000; /* write SecSi Sector Exit cycle 4 */
```

II Electrical Specifications

II.1 Absolute Maximum Ratings

Storage Temperature	
Plastic Packages	−65°C to +150°C
Ambient Temperature	
with Power Applied	−65°C to +125°C
Voltage with Respect to Ground:	
All Inputs and I/Os except as noted below (Note 1)	−0.5 V to $V_{IO} + 0.5$ V
V_{CC} (Note 1)	−0.5 V to +4.0 V
V_{IO} (Note 1)	−0.5 V to +4.0V
ACC (Note 2)	−0.5 V to +10.5 V
Output Short Circuit Current (Note 3)	200 mA

Notes:

1. Minimum DC voltage on input or I/Os is −0.5 V. During voltage transitions, inputs or I/Os may undershoot V_{SS} to −2.0 V for periods of up to 20 ns. See Figure 11.1. Maximum DC voltage on input or I/Os is $V_{CC} + 0.5$ V. During voltage transitions outputs may overshoot to $V_{CC} + 2.0$ V for periods up to 20 ns. See Figure 11.2.
2. Minimum DC input voltage on pin WP#ACC is −0.5 V. During voltage transitions, WP#ACC may overshoot V_{SS} to 2.0 V for periods of up to 20 ns. See Figure 11.1. Maximum DC voltage on pin WP#ACC is +9.5 V, which may overshoot to 10.5 V for periods up to 20 ns.
3. No more than one output may be shorted to ground at a time. Duration of the short circuit should not be greater than one second.
4. Stresses above those listed under *Absolute Maximum Ratings* may cause permanent damage to the device. This is a stress rating only; functional operation of the device at these or any other conditions above those indicated in the operational sections of this data sheet is not implied. Exposure of the device to absolute maximum rating conditions for extended periods may affect device reliability.

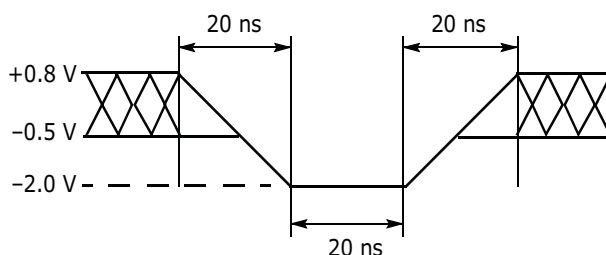


Figure II.1 Maximum Negative Overshoot Waveform

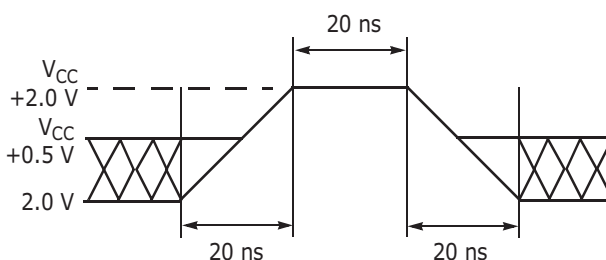


Figure II.2 Maximum Positive Overshoot Waveform

II.2 Operating Ranges

Wireless (W) Devices

Ambient Temperature (T_A) -25°C to $+85^{\circ}\text{C}$

Industrial (I) Devices

Ambient Temperature (T_A) -40°C to $+85^{\circ}\text{C}$

Supply Voltages

V_{CC} Supply Voltages $+2.7\text{ V}$ to 3.1 V or

. $+2.7\text{ V}$ to $+3.6\text{ V}$

(Note 3)

Notes:

1. Operating ranges define those limits between which the functionality of the device is guaranteed.
2. For all AC and DC specifications, $V_{IO} = V_{CC}$.
3. Voltage range of 2.7 – 3.1 V valid for PL-N MCP products.

II.3 Test Conditions

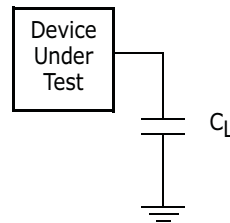


Figure II.3 Test Setup

Table II.1 Test Specifications

Test Condition	All Speeds	Unit
Output Load Capacitance, C_L (including jig capacitance)	30	pF
Input Rise and Fall Times	$V_{CC} = 3.0\text{ V}$	5 ns
Input Pulse Levels	$V_{CC} = 3.0\text{ V}$	0.0 – 3.0 V
Input timing measurement reference levels	$V_{CC}/2$	V
Output timing measurement reference levels	$V_{CC}/2$	V

II.4 Key to Switching Waveforms

WAVEFORM	INPUTS	OUTPUTS
	Steady	
	Changing from H to L	
	Changing from L to H	
	Don't Care, Any Change Permitted	Changing, State Unknown
	Does Not Apply	Center Line is High Impedance State (High Z)

II.5 Switching Waveforms

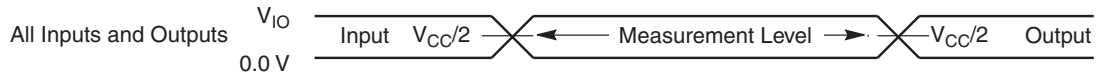


Figure II.4 Input Waveforms and Measurement Levels

II.6 V_{CC} Power Up

Parameter	Description	Test Setup	Speed	Unit
t_{VCS}	V _{CC} Setup Time	Min	250	μs
t_{READ}	Time between RESET# high and CE# low	Min	200	ns

Notes:

1. V_{CC} ramp rate must exceed 1 V/400 μs.
2. V_{IO} is internally connected to V_{CC}.

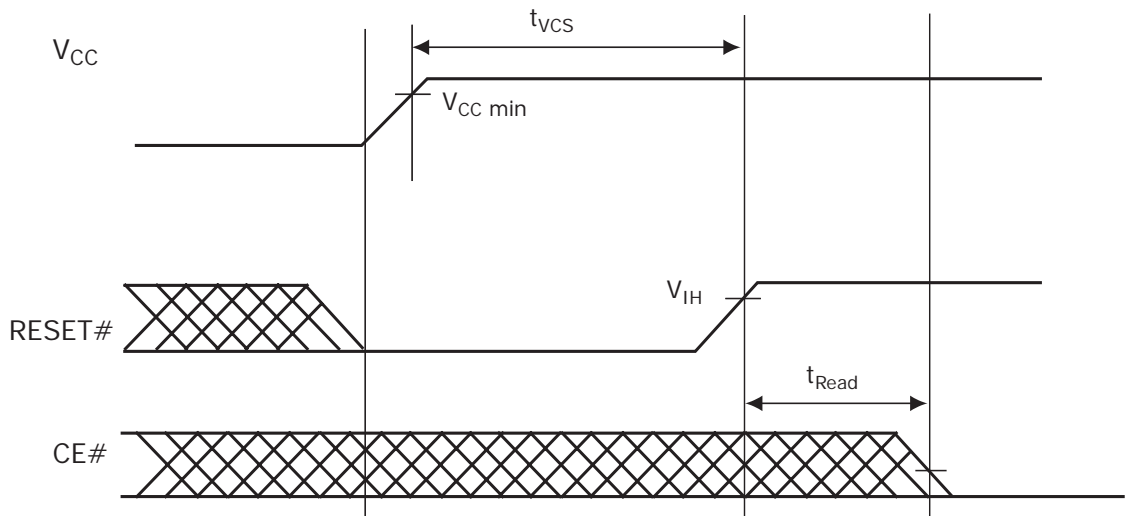


Figure II.5 V_{CC} Power-Up Diagram

II.7 DC Characteristics

11.7.1 DC Characteristics ($V_{CC} = 2.7\text{ V to }3.6\text{ V}$)

(CMOS Compatible)

Parameter Symbol	Parameter Description (Notes)	Test Conditions	Min (Note 2)	Typ (Note 2)	Max	Unit
I_{LI}	Input Load Current	$V_{IN} = V_{SS}$ to V_{CC} , $V_{CC} = V_{CC\ max}$ (6)			± 2.0	μA
I_{LO}	Output Leakage Current	$V_{OUT} = V_{SS}$ to V_{CC} , $OE\# = V_{IH}$ $V_{CC} = V_{CC\ max}$ (6)			± 1.0	μA
I_{CC1}	V_{CC} Active Read Current (1, 3)	$OE\# = V_{IH}$, $V_{CC} = V_{CC\ max}$ (1, 6) 5 MHz		30	45	mA
I_{CC2}	V_{CC} Active Write Current (3)	$OE\# = V_{IH}$, $WE\# = V_{IL}$		25	50	mA
I_{CC3}	V_{CC} Standby Current	$CE\#$ (7), $RESET\#$, $WP\#/ACC = V_{CC} \pm 0.3\text{ V}$		20	40	μA
I_{CC4}	V_{CC} Reset Current	$RESET\# = V_{SS} \pm 0.3\text{ V}$		300	500	μA
I_{CC5}	Automatic Sleep Mode (4)	$V_{IH} = V_{CC} \pm 0.3\text{ V}$; $V_{IL} = V_{SS} \pm 0.3\text{ V}$		20	40	μA
I_{CC6}	V_{CC} Active Read-While-Write Current (1)	$OE\# = V_{IH}$ 5 MHz		35	50	mA
I_{CC7}	V_{CC} Active Program-While-Erase-Suspended Current (5)	$OE\# = V_{IH}$		27	55	mA
I_{CC8}	V_{CC} Active Page Read Current	$OE\# = V_{IH}$, 8 word Page Read 40 MHz		6	10	mA
V_{IL}	Input Low Voltage	$V_{CC} = 2.7$ to 3.6 V	-0.5		0.8	V
V_{IH}	Input High Voltage	$V_{CC} = 2.7$ to 3.6 V	2.0		$V_{CC} + 0.3$	V
V_{HH}	Voltage for ACC Program Acceleration	$V_{CC} = 3.0\text{ V} \pm 10\%$ (6)	8.5		9.5	V
V_{OL}	Output Low Voltage	$I_{OL} = 100\ \mu\text{A}$, $V_{CC} = V_{CC\ min}$ (6)			0.1	V
V_{OH}	Output High Voltage	$I_{OH} = -100\ \mu\text{A}$ (6)	$V_{CC} - 0.2$			V
V_{LKO}	Low V_{CC} Lock-Out Voltage (5)		2.3		2.5	V

Notes:

1. The I_{CC} current listed is typically less than 5 mA/MHz, with $OE\#$ at V_{IH} .
2. Maximum I_{CC} specifications are tested with $V_{CC} = V_{CC\ max}$, $T_A = T_{A\ max}$. Typical I_{CC} specifications are with typical $V_{CC} = 3.0\text{ V}$, $T_A = +25^\circ\text{C}$.
3. I_{CC} is active while Embedded Erase or Embedded Program is in progress.
4. Automatic sleep mode enables the low power mode when addresses remain stable for $t_{ACC} + 30\text{ ns}$. Typical sleep mode current is 1 μA .
5. Not 100% tested.
6. The data in the table is for V_{CC} range 2.7 V to 3.6 V (recommended for standalone applications).
7. $CE1\#$ and $CE2\#$ for the PL129N.

11.7.2 DC Characteristics ($V_{CC} = 2.7\text{ V to }3.1\text{ V}$) (CMOS Compatible)

Parameter Symbol	Parameter Description (Notes)	Test Conditions	Min	Typ	Max	Unit
I_{LI}	Input Load Current	$V_{IN} = V_{SS}$ to V_{CC} , $V_{CC} = V_{CC\text{ max}}$ (6)			± 2	μA
I_{LO}	Output Leakage Current	$V_{OUT} = V_{SS}$ to V_{CC} , $OE\# = V_{IH}$ $V_{CC} = V_{CC\text{ max}}$ (6)			± 1	μA
I_{CC1}	V_{CC} Active Read Current (1, 2)	$OE\# = V_{IH}$, $V_{CC} = V_{CC\text{ max}}$ (1, 6) 5 MHz		28	40	mA
I_{CC2}	V_{CC} Active Write Current (2, 3)	$OE\# = V_{IH}$, $WE\# = V_{IL}$		22	40	mA
I_{CC3}	V_{CC} Standby Current (2)	$CE\#$ (7), $RESET\#$, $WP\#/ACC$ $= V_{CC} \pm 0.3\text{ V}$		20	40	μA
I_{CC4}	V_{CC} Reset Current (2)	$RESET\# = V_{SS} \pm 0.3\text{ V}$		300	500	μA
I_{CC5}	Automatic Sleep Mode (2, 4)	$V_{IH} = V_{CC} \pm 0.3\text{ V}$; $V_{IL} = V_{SS} \pm 0.1\text{ V}$		20	40	μA
I_{CC6}	V_{CC} Active Read-While-Write Current (1, 2)	$OE\# = V_{IH}$ 5 MHz		33	45	mA
I_{CC7}	V_{CC} Active Program-While-Erase-Suspended Current (2, 5)	$OE\# = V_{IH}$		24	45	mA
I_{CC8}	V_{CC} Active Page Read Current (2)	$OE\# = V_{IH}$, 8 word Page Read 40 MHz		6	9	mA
V_{IL}	Input Low Voltage	$V_{CC} = 2.7$ to 3.6 V	-0.5		0.8	V
V_{IH}	Input High Voltage	$V_{CC} = 2.7$ to 3.6 V	2.0		$V_{CC} + 0.3$	V
V_{HH}	Voltage for ACC Program Acceleration	$V_{CC} = 3.0\text{ V} \pm 10\%$ (6)	8.5		9.5	V
V_{OL}	Output Low Voltage	$I_{OL} = 100\ \mu\text{A}$, $V_{CC} = V_{CC\text{ min}}$ (6)			0.1	V
V_{OH}	Output High Voltage	$I_{OH} = -100\ \mu\text{A}$ (6)	$V_{CC} - 0.2$			V
V_{LKO}	Low V_{CC} Lock-Out Voltage (5)		2.3		2.5	V

Notes:

1. The I_{CC} current listed is typically less than 5 mA/MHz, with $OE\#$ at V_{IH} .
2. Maximum I_{CC} specifications are tested with $V_{CC} = V_{CC\text{ max}}$, $T_A = T_{A\text{ max}}$. Typical I_{CC} specifications are with typical $V_{CC} = 2.9\text{ V}$, $T_A = +25^\circ\text{C}$.
3. I_{CC} active while Embedded Erase or Embedded Program is in progress.
4. Automatic sleep mode enables the low power mode when addresses remain stable for $t_{ACC} + 30\text{ ns}$. Typical sleep mode current is $1\ \mu\text{A}$.
5. Not 100% tested.
6. Data in table is for V_{CC} range 2.7 V to 3.1 V (recommended for MCP applications)
7. $CE1\#$ and $CE2\#$ for the PL129N.

II.8 AC Characteristics

11.8.1 Read Operations

Parameter		Description (Notes)	Test Setup	Speed Options			Unit	
JEDEC	Std.			65	70	80		
t_{AVAV}	t_{RC}	Read Cycle Time (1)	Min	65	70	80	ns	
t_{AVQV}	t_{ACC}	Address to Output Delay	CE#, OE# = V _{IL}	Max	65	70	80	ns
t_{ELQV}	t_{CE}	Chip Enable to Output Delay (5)	OE# = V _{IL}	Max	65	70	80	ns
	t_{PACC}	Page Access Time		Max	25	30	30	ns
t_{GLQV}	t_{OE}	Output Enable to Output Delay		Max	25	30	30	ns
t_{EHOZ}	t_{DF}	Chip Enable to Output High Z (3)		Max	16		ns	
t_{GHOZ}	t_{DF}	Output Enable to Output High Z (1, 3)		Max	16		ns	
t_{AXQX}	t_{OH}	Output Hold Time From Addresses, CE# or OE#, Whichever Occurs First (3)		Min	5		ns	
	t_{OEh}	Output Enable Hold Time (1)	Read	Min	0		ns	
			Toggle and Data# Polling	Min	10		ns	

Notes:

1. Not 100% tested.
2. See Figure 11.3 and Table 11.1 for test specifications
3. Measurements performed by placing a 50 ohm termination on the data pin with a bias of V_{CC}/2. The time from OE# high to the data bus driven to V_{CC}/2 is taken as t_{DF}.
4. For 70pf Output Load Capacitance, 2 ns is added to the above t_{ACC}, t_{CE}, t_{PACC}, t_{OE} values for all speed grades
5. CE1# and CE2# for the PL129N.

11.8.2 Read Operation Timing Diagrams

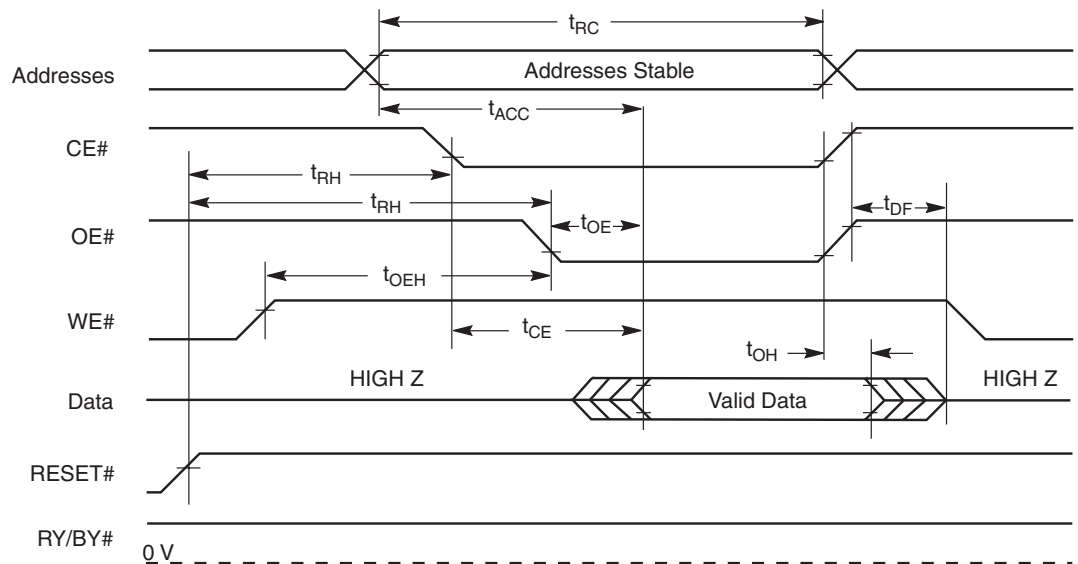


Figure II.6 Read Operation Timings

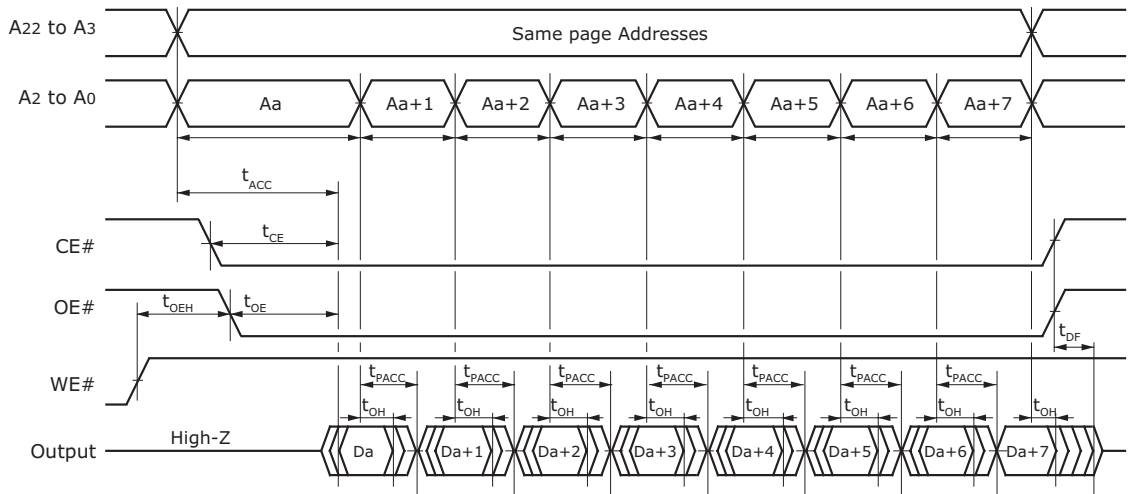


Figure II.7 Page Read Operation Timings

11.8.3 Hardware Reset (RESET#)

Parameter		Description		All Speed Options	Unit
JEDEC	Std.				
	t_{RP}	RESET# Pulse Width	Min	30	μs
	t_{RH}	Reset High Time Before Read (See Note)	Min	200	ns

Note: Not 100% tested.

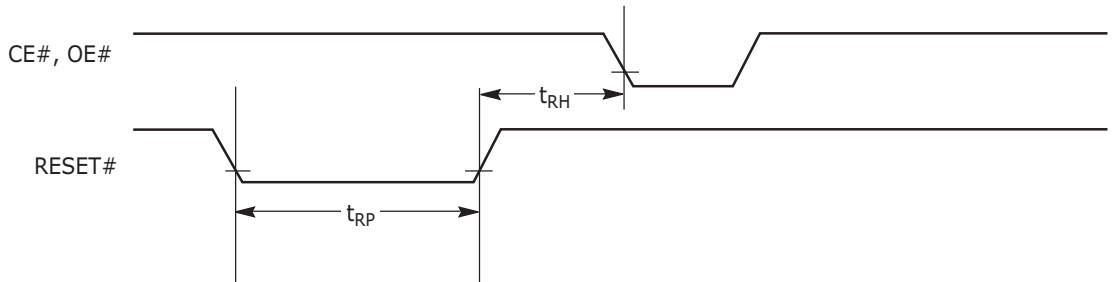


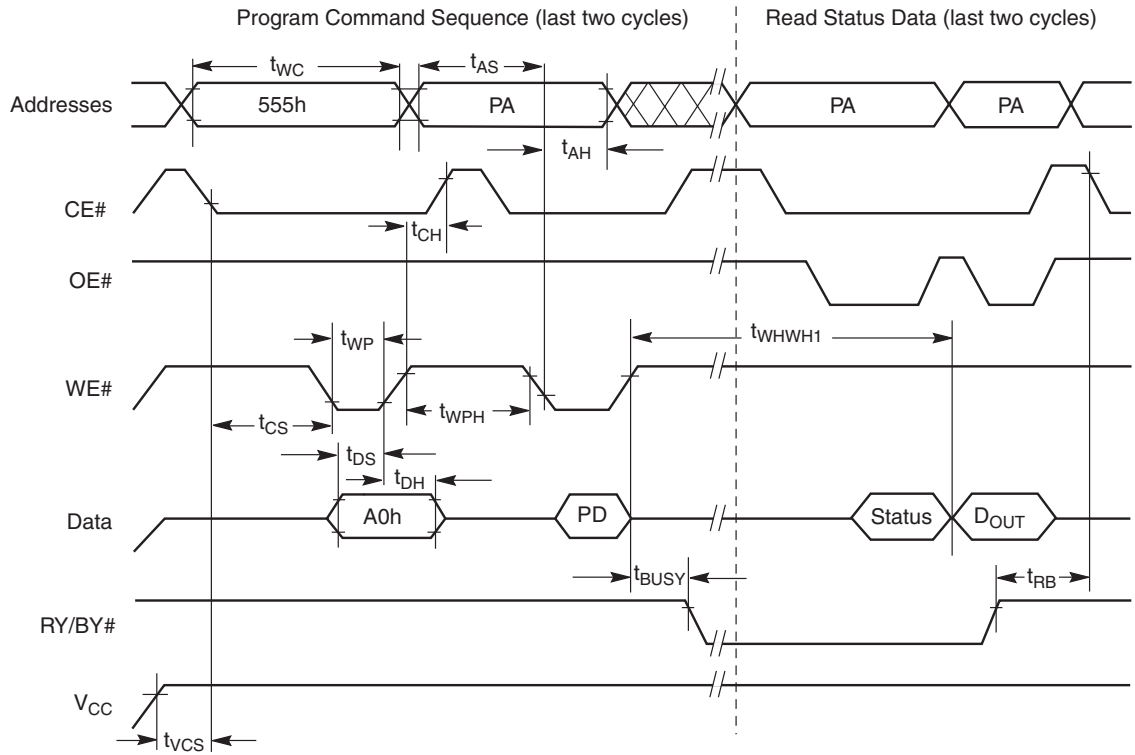
Figure II.8 Reset Timings

11.8.4 Erase/Program Timing

Parameter		Description (Notes)		Speed Options			Unit
JEDEC	Std			65	70	80	
t_{AVAV}	t_{WC}	Write Cycle Time (1)	Min	65	70	80	ns
t_{AVWL}	t_{AS}	Address Setup Time	Min	0			ns
	t_{ASO}	Address Setup Time to OE# low during toggle bit polling	Min	15			ns
t_{WLAX}	t_{AH}	Address Hold Time	Min	35			ns
	t_{AHT}	Address Hold Time From CE# or OE# high during toggle bit polling	Min	0			ns
t_{DVWH}	t_{DS}	Data Setup Time	Min	30			ns
t_{WHDX}	t_{DH}	Data Hold Time	Min	0			ns
	t_{OEPH}	Output Enable High during toggle bit polling	Min	10			ns
t_{GHWL}	t_{GHWL}	Read Recovery Time Before Write (OE# High to WE# Low)	Min	0			ns
t_{ELWL}	t_{CS}	CE# Setup Time	Min	0			ns
t_{WHEH}	t_{CH}	CE# Hold Time	Min	0			ns
t_{WLWH}	t_{WP}	Write Pulse Width	Min	40			ns
t_{WHDL}	t_{WPH}	Write Pulse Width High	Min	25			ns
	$t_{SR/W}$	Latency Between Read and Write Operations	Min	0			ns
t_{WHWH1}	t_{WHWH1}	Programming Operation	Typ	40			μ s
t_{WHWH1}	t_{WHWH1}	Accelerated Programming Operation	Typ	24			μ s
t_{WHWH2}	t_{WHWH2}	Sector Erase Operation	Typ	1.6			sec
	t_{VHH}	V_{HH} Rise and Fall Times	Min	250			ns
	t_{RB}	Write Recovery Time from RY/BY#	Min	0			ns
	t_{BUSY}	Program/Erase Valid to RY/BY# Delay	Max	90			ns
	t_{WEP}	Noise Pulse Margin on WE#	Max	3			ns
	t_{SEA}	Sector Erase Accept Time-out	Max	50			μ s
	t_{ESL}	Erase Suspend Latency	Max	20			μ s
	t_{PSL}	Program Suspend Latency	Max	20			μ s
	t_{ASP}	Toggle Time During Sector Protection	Typ	100			μ s
	t_{PSP}	Toggle Time During Programming Within a Protected Sector	Typ	1			μ s

Notes:

1. Not 100% tested.
2. In program operation timing, addresses are latched on the falling edge of WE#.
3. See [Program/Erase Operations](#) for more information.
4. Does not include the preprogramming time.



Note: PA = program address, PD = program data, D_{OUT} is the true data at the program address

Figure II.9 Program Operation Timings

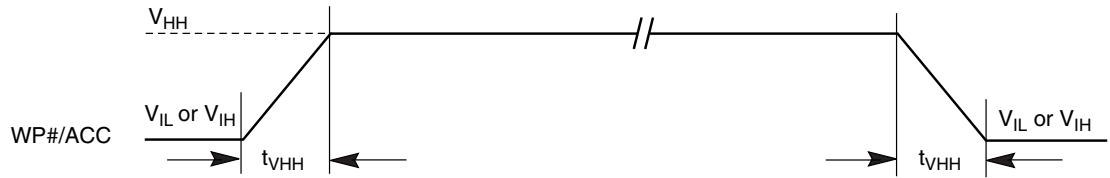
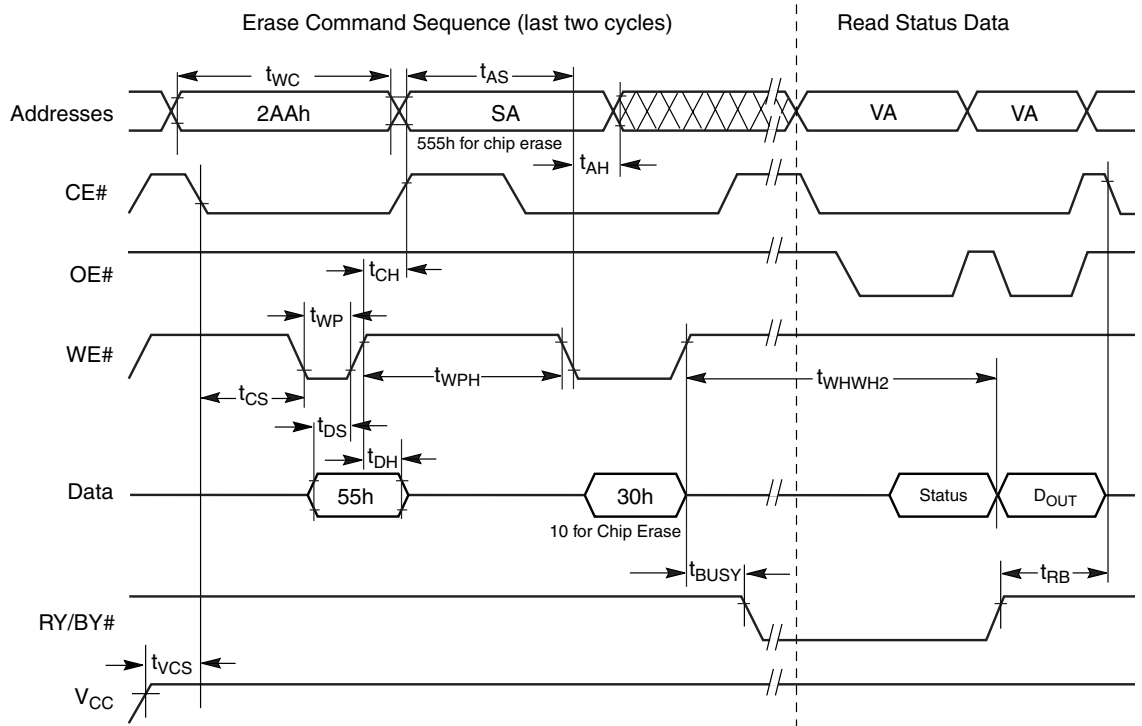


Figure II.10 Accelerated Program Timing Diagram



Note: SA = sector address (for Sector Erase), VA = Valid Address for reading status data (see Write Operation Status)

Figure II.II Chip/Sector Erase Operation Timings

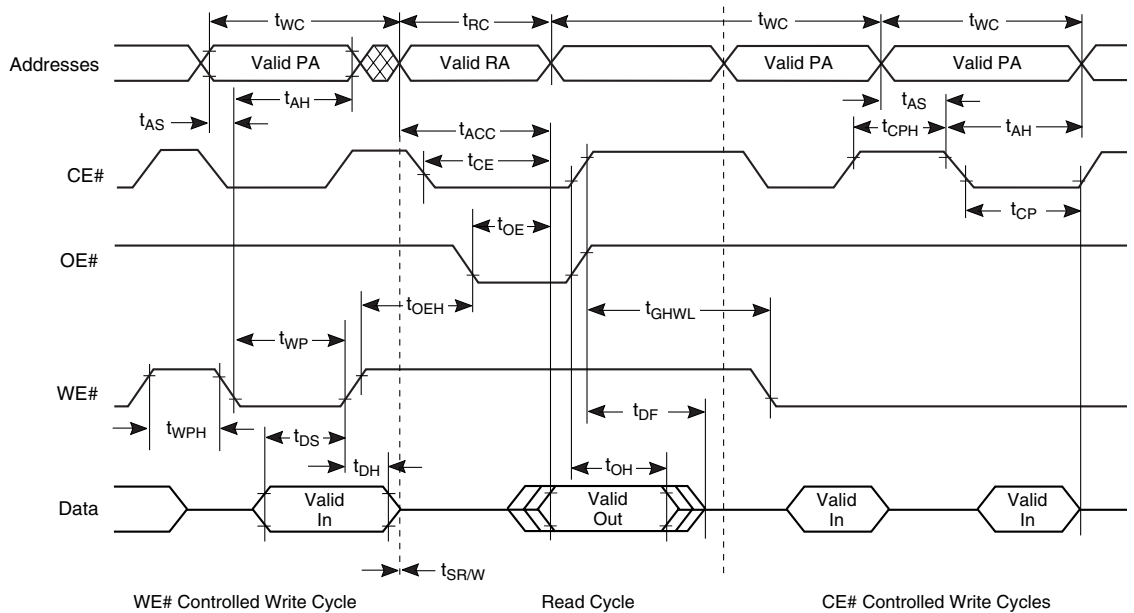
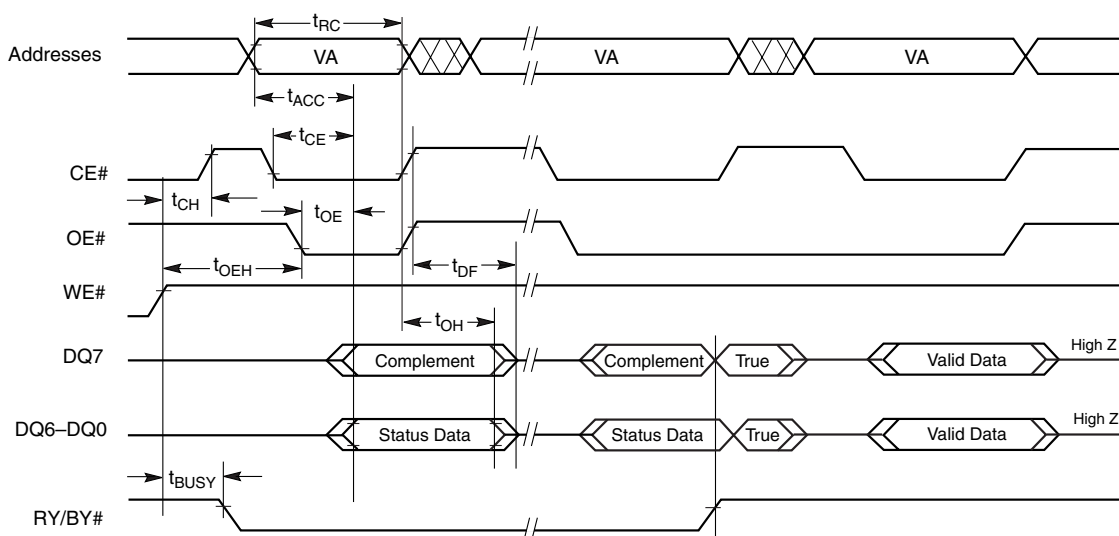
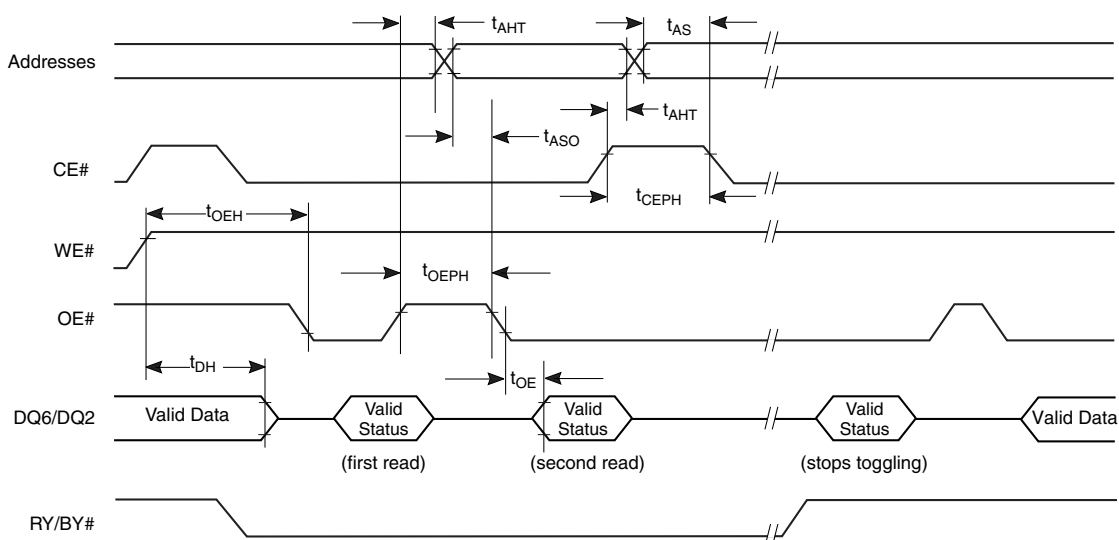


Figure II.I2 Back-to-back Read/Write Cycle Timings



Note: VA = Valid address. Illustration shows first status cycle after command sequence, last status read cycle, and array data read cycle

Figure II.13 Data# Polling Timings (During Embedded Algorithms)



Note: VA = Valid address; not required for DQ6. Illustration shows first two status cycle after command sequence, last status read cycle, and array data read cycle

Figure II.14 Toggle Bit Timings (During Embedded Algorithms)

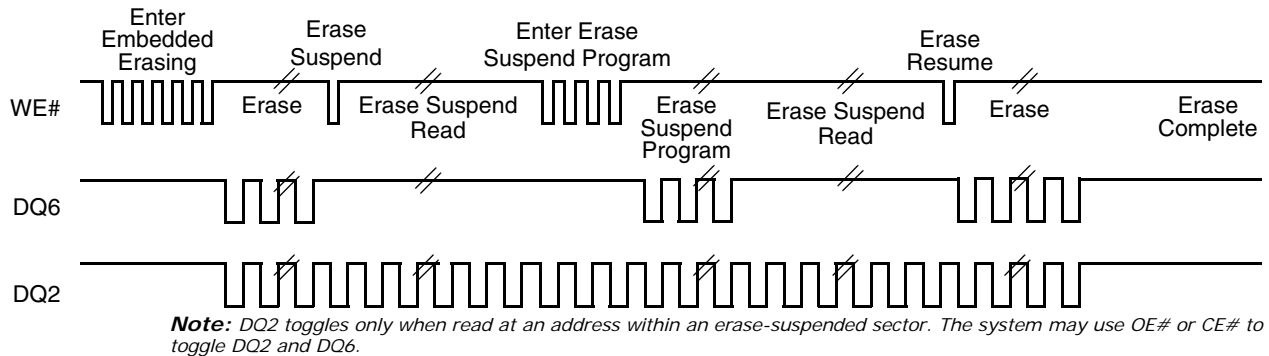


Figure II.15 DQ2 vs. DQ6

11.8.5 Erase and Programming Performance

Parameter (Notes)	Device Condition	Typ (Note 1)	Max (Note 2)	Unit	Comments (Notes)
Sector Erase Time	V _{CC}	1.6	7	s	Excludes 00h programming prior to erasure (4)
		ACC	1.6		
	ACC	0.3	4		
		ACC	0.3		
Chip Erase Time	V _{CC}	202 (PL256N) 100 (PL127N) 100(PL129N)	900 (PL256N) 450 (PL127N) 450 (PL129N)	s	
	ACC	130 (PL256N) 65 (PL127N) 65 (PL129N)	512 (PL256N) 256 (PL127N) 256 (PL129N)		
Word Programming Time	V _{CC}	40	400	μs	Excludes system level overhead (5)
	ACC	24	240		
Effective Word Programming Time utilizing Program Write Buffer	V _{CC}	9.4	94	μs	
	ACC	6	60		
Total 32-Word Buffer Programming Time	V _{CC}	300	3000	μs	
	ACC	192	1920		
Chip Programming Time using 32-Word Buffer (3)	V _{CC}	157.3 (PL256N) 78.6 (PL127N) 78.6 (PL129N)	315 (PL256N) 158 (PL127N) 158 (PL129N)	s	Excludes system level overhead (5)
	ACC	100 (PL256N) 50 (PL127N) 50 (PL129N)	200 (PL256N) 100 (PL127N) 100 (PL129N)		
Erase Suspend/Erase Resume			<20	μs	
Program Suspend/Program Resume			<20	μs	

Notes:

1. Typical program and erase times assume the following conditions: 25°C, 3.0 V V_{CC}, 10,000 cycles. Additionally, programming typicals assume checkerboard pattern. All values are subject to change.
2. Under worst case conditions of 90°C, V_{CC} = 2.7 V, 100,000 cycles. All values are subject to change.
3. The typical chip programming time is considerably less than the maximum chip programming time listed, since most bytes program faster than the maximum program times listed.
4. In the pre-programming step of the Embedded Erase algorithm, all bytes are programmed to 00h before erasure.
5. System-level overhead is the time required to execute the two- or four-bus-cycle sequence for the program command. See Table 12.1 and Table 12.2 for further information on command definitions.
6. Contact the local sales office for minimum cycling endurance values in specific applications and operating conditions.
7. See Application Note Erase Suspend/Resume Timing for more details.
8. Word programming specification is based upon a single word programming operation not utilizing the write buffer.

11.8.6 BGA Ball Capacitance

Parameter Symbol	Parameter Description	Test Setup	Typ	Max	Unit
C_{IN}	Input Capacitance	$V_{IN} = 0$	7	10	pF
C_{OUT}	Output Capacitance	$V_{OUT} = 0$	8	12	pF
C_{IN2}	Control Pin Capacitance	$V_{IN} = 0$	8	11	pF

Notes:

1. Sampled, not 100% tested.
2. Test conditions $T_A = 25^{\circ}C$, $f = 1.0 MHz$.



P r e l i m i n a r y

12 Appendix

This section contains information relating to software control or interfacing with the Flash device. For additional information and assistance regarding software, see [Additional Resources](#), or explore the Web at www.amd.com and www.fujitsu.com.

Table 12.1 Memory Array Commands

Command Sequence (Notes)	Cycles	Bus Cycles (Notes 1 – 6)													
		First		Second		Third		Fourth		Fifth		Sixth			
		Addr	Data	Addr	Data	Addr	Data	Addr	Data	Addr	Data	Addr	Data		
Read (7)	1	RA	RD												
Reset (8)	1	XXX	FO												
Auto-select (9)	Manufacturer ID	4	555	AA	2AA	55	[BA]555	90	[BA]X00	0001					
	Device ID (10)	6	555	AA	2AA	55	[BA]555	90	[BA]X01	227E	[BA]X0E	(Note 10)	[BA]X0F	2200	
	Indicator Bits	4	555	AA	2AA	55	[BA]555	90	[BA]X03	(Note 11)					
Program	4	555	AA	2AA	55	555	A0	PA	Data						
Write to Buffer (17)	6	555	AA	2AA	55	SA	25	SA	WC	PA	PD	WBL	PD		
Program Buffer to Flash	1	SA	29												
Write to Buffer Abort Reset (17)	3	555	AA	2AA	55	555	FO								
Chip Erase	6	555	AA	2AA	55	555	80	555	AA	2AA	55	555	10		
Sector Erase	6	555	AA	2AA	55	555	80	555	AA	2AA	55	SA	30		
Program/Erase Suspend (14)	1	BA	B0												
Program/Erase Resume (15)	1	BA	30												
CFI Query (16)	1	[BA]555	98												
Unlock Bypass Mode	Unlock Bypass Entry	3	555	AA	2AA	55	555	20							
	Unlock Bypass Program (12, 13)	2	XX	A0	PA	PD									
	Unlock Bypass Sector Erase (12, 13)	2	XX	80	SA	30									
	Unlock Bypass Erase (12, 13)	2	XX	80	XXX	10									
	Unlock Bypass CFI (12, 13)	1	BA	98											
Unlock Bypass Reset	2	XX	90	XXX	00										
Secured Silicon Sector Command Definitions															
Secured Silicon Sector	Secured Silicon Sector Entry (18)	3	555	AA	2AA	55	555	88							
	Secured Silicon Sector Program	2	XX	A0	PA	data									
	Secured Silicon Sector Read	1	RA	data											
	Secured Silicon Sector Exit (19)	4	555	AA	2AA	55	555	90	XX	00					

Legend:

X = Don't care.
 RA = Read Address.
 RD = Read Data.
 PA = Address of the memory location to be programmed. Addresses latch on the falling edge of the WE# or CE# pulse whichever happens later.
 PD = Program Data. Data latches on the rising edge of WE# or CE# pulse, whichever occurs first.

SA = Sector Address. PL127/129N = A22 – A15;
 PL256N = A23 – A15.
 BA = Bank Address. PL256N = A23 – A21; PL127N = A22 – A20;
 PL127N = A21 – A20.
 WBL = Write Buffer Location. Address must be within the same write buffer page as PA.
 WC = Word Count. Number of write buffer locations to load minus 1.

Notes:

- See (Table 7.1) for description of bus operations.
- All values are in hexadecimal.
- Except for the following, all bus cycles are write cycle: read cycle, fourth through sixth cycles of the Autoselect commands, fourth cycle of the password verify command, and any cycle reading at RD(0) and RD(1).
- Data bits DQ15 – DQ8 are don't care in command sequences, except for RD, PD, WD, PWD, and PWD3 – PWD0.
- Unless otherwise noted, these address bits are don't cares: PL127: A22 – A15; 129N: A21 – A15; PL256N: A23 – A14.
- Writing incorrect address and data values or writing them in the improper sequence may place the device in an unknown state. The system must write the reset command to return the device to reading array data.
- No unlock or command cycles required when bank is reading array data.
- The Reset command is required to return to reading array data (or to the erase-suspend-read mode if previously in Erase Suspend) when a bank is in the autoselect mode, or if DQ5 goes high (while the bank is providing status information) or performing sector lock/unlock.
- The fourth cycle of the autoselect command sequence is a read cycle. The system must provide the bank address. See Autoselect.
- Device IDs: PL256N = 223Ch; PL127N = 2220h; PL129N = 2221h.
- See Autoselect.
- The Unlock Bypass command sequence is required prior to this command sequence.
- The Unlock Bypass Reset command is required to return to reading array data when the bank is in the unlock bypass mode.
- The system may read and program in non-erasing sectors, or enter the autoselect mode, when in the Erase Suspend mode. The Erase Suspend command is valid only during a sector erase operation, and requires the bank address.
- The Erase Resume command is valid only during the Erase Suspend mode, and requires the bank address.
- The total number of cycles in the command sequence is determined by the number of words written to the write buffer. The maximum number of cycles in the command sequence is 37.

- 17. Command sequence resets device for next command after write-to-buffer operation.
- 18. Entry commands are needed to enter a specific mode to enable instructions only available within that mode.
- 19. The Exit command must be issued to reset the device into read mode. Otherwise the device hangs.
- 20. The following mode cannot be performed at the same time. Autoselect/CFI/Unlock Bypass/Secured Silicon. Command sequence resets device for next command after write-to-buffer operation.
- 21. Command is valid when device is ready to read array data or when device is in autoselect mode. Address equals 55h on all future devices, but 555h for PL256N.
- 22. Requires Entry command sequence prior to execution. Secured Silicon Sector Exit Reset command is required to exit this mode; device may otherwise be placed in an unknown state.

Table I2.2 Sector Protection Commands

Command Sequence (Notes)		Cycles	Bus Cycles (Notes 1 – 6)													
			First		Second		Third		Fourth		Fifth		Sixth		Seventh	
			Addr	Data	Addr	Data	Addr	Data	Addr	Data	Addr	Data	Addr	Data	Addr	Data
Lock Register Command Set Definitions																
Lock Register	Lock Register Command Set Entry (25)	3	555	AA	2AA	55	555	40								
	Lock Register Bits Program (26)	2	XX	A0	00	data										
	Lock Register Bits Read	1	00	data												
	Lock Register Command Set Exit (27)	2	XX	90	XX	00										
Password Protection Command Set Definitions																
Password	Password Protection Command Set Entry (25)	3	555	AA	2AA	55	555	60								
	Password Program	2	XX	A0	00/01 02/03	PWD0/ PWD1/ PWD2/ PWD3										
	Password Read	4	00	PWD0	01	PWD1	02	PWD2	03	PWD3						
	Password Unlock	7	00	25	00	03	00	PWD0	01	PWD1	02	PWD2	03	PWD3	00	29
	Password Protection Command Set Exit (27)	2	XX	90	XX	00										
Non-Volatile Sector Protection Command Set Definitions																
PPB	Non-Volatile Sector Protection Command Set Entry (25)	3	555	AA	2AA	55	[BA]555	C0								
	PPB Program	2	XX	A0	[BA]SA	00										
	All PPB Erase (22)	2	XX	80	00	30										
	PPB Status Read	1	[BA]SA	RD(0)												
	Non-Volatile Sector Protection Command Set Exit (27)	2	XX	90	XX	00										
Global Non-Volatile Sector Protection Freeze Command Set Definitions																
PPB Lock Bit	Global Volatile Sector Protection Freeze Command Set Entry (25)	3	555	AA	2AA	55	555	50								
	PPB Lock Bit Set	2	XX	A0	XX	00										
	PPB Lock Bit Status Read	1	BA	RD(0)												
	Global Volatile Sector Protection Freeze Command Set Exit (27)	2	XX	90	XX	00										
Volatile Sector Protection Command Set Definitions																
DYB	Volatile Sector Protection Command Set Entry (25)	3	555	AA	2AA	55	[BA]555	E0								
	DYB Set	2	XX	A0	[BA]SA	00										
	DYB Clear	2	XX	A0	[BA]SA	01										
	DYB Status Read	1	[BA]SA	RD(0)												
	Volatile Sector Protection Command Set Exit (27)	2	XX	90	XX	00										

Legend:

X = Don't care
 RA = Read Address.
 RD = Read Data.
 PA = Address of the memory location to be programmed. Addresses latch on the falling edge of the WE# or CE# pulse whichever happens later.
 PD = Program Data. Data latches on the rising edge of WE# or CE# pulse, whichever occurs first.
 SA = Sector Address. PL127/129N = A22 – A15; PL256N = A23 – A15

BA = Bank Address. PL256N = A23 – A21; PL127N = A22 – A20; PL127N = A21 – A20.
 WBL = Write Buffer Location. Address must be within the same write buffer page as PA.
 WC = Word Count. Number of write buffer locations to load minus 1.
 PWD3 – PWD0 = Password Data. PD3 – PD0 present four 16 bit combinations that represent the 64-bit Password
 RD(0) = DQ0 protection indicator bit. If protected, DQ0 = 0, if unprotected, DQ0 = 1.

Notes:

1. See (Table 7.1) for description of bus operations.
2. All values are in hexadecimal.
3. Except for the following, all bus cycles are write cycle: read cycle, fourth through sixth cycles of the Autoselect commands, and password verify commands, and any cycle reading at RD(0) and RD(1).
4. Data bits DQ15 – DQ8 are don't care in command sequences, except for RD, PD, WD, PWD, and PWD3 – PWD0.
5. Unless otherwise noted, these address bits are don't cares: PL127: A22 – A15; 129N: A21 – A15; PL256N: A23 – A14.
6. Writing incorrect address and data values or writing them in the improper sequence may place the device in an unknown state. The system must write the reset command to return the device to reading array data.
7. No unlock or command cycles required when bank is reading array data.
8. The Reset command is required to return to reading array data (or to the erase-suspend-read mode if previously in Erase Suspend) when a bank is in the autoselect mode, or if DQ5 goes high (while the bank is providing status information) or performing sector lock/unlock.
9. The fourth cycle of the autoselect command sequence is a read cycle. The system must provide the bank address. See [Autoselect](#).
10. The data is 0000h for an unlocked sector and 0001h for a locked sector.
11. Device IDs: PL256N = 223Ch; PL127N = 2220h; PL129N = 2221h.
12. See [Autoselect](#).
13. The Unlock Bypass command sequence is required prior to this command sequence.
14. The Unlock Bypass Reset command is required to return to reading array data when the bank is in the unlock bypass mode. The system may read and program in non-erasing sectors, or enter the autoselect mode, when in the Erase Suspend mode. The Erase Suspend command is valid only during a sector erase operation, and requires the bank address.
15. The Erase Resume command is valid only during the Erase Suspend mode, and requires the bank address.
16. Command is valid when device is ready to read array data or when device is in autoselect mode. The total number of cycles in the command sequence is determined by the number of words written to the write buffer. The maximum number of cycles in the command sequence is 37.
17. The entire four bus-cycle sequence must be entered for which portion of the password.
18. The Unlock Bypass Reset command is required to return to reading array data when the bank is in the unlock bypass mode. The system may read and program in non-erasing sectors, or enter the autoselect mode, when in the Erase Suspend mode. The Erase Suspend command is valid only during a sector erase operation, and requires the bank address.
19. The Erase Resume command is valid only during the Erase Suspend mode, and requires the bank address.
20. Command is valid when device is ready to read array data or when device is in autoselect mode. The total number of cycles in the command sequence is determined by the number of words written to the write buffer. The maximum number of cycles in the command sequence is 37.
21. The entire four bus-cycle sequence must be entered for which portion of the password.
22. The ALL PPB ERASE command pre-programs all PPBs before erasure to prevent over-erasure of PPBs.
23. WP#/ACC must be at VHH during the entire operation of this command.
24. Command sequence resets device for next command after write-to-buffer operation.
25. Entry commands are needed to enter a specific mode to enable instructions only available within that mode.
26. If both the Persistent Protection Mode Locking Bit and the password Protection Mode Locking Bit are set at the same time, the command operation aborts and returns the device to the default Persistent Sector Protection Mode.
27. The Exit command must be issued to reset the device into read mode. Otherwise the device hangs.

12.1 Common Flash Memory Interface

The Common Flash Interface (CFI) specification outlines device and host system software interrogation handshake, which allows specific vendor-specified soft-ware algorithms to be used for entire families of devices. Software support can then be device-independent, JEDEC ID-independent, and forward- and back-ward-compatible for the specified flash device families. Flash vendors can standardize their existing interfaces for long-term compatibility.

This device enters the CFI Query mode when the system writes the CFI Query command, 98h, to address (BA)555h any time the device is ready to read array data. The system can read CFI information at the addresses given in Tables 12.3 – 12.6) within that bank. All reads outside of the CFI address range, within the bank, return non-valid data. Reads from other banks are allowed, writes are not. To terminate reading CFI data, the system must write the reset command.

The following is a C source code example of using the CFI Entry and Exit functions. Refer to the *Spansion Low Level Driver User's Guide* (available at www.amd.com and www.fujitsu.com) for general information on Spansion Flash memory software development guidelines.

```

/* Example: CFI Entry command */
*((UINT16 *)bank_addr + 0x555) = 0x0098; /* write CFI entry command */

/* Example: CFI Exit command */
*((UINT16 *)bank_addr + 0x000) = 0x00F0; /* write cfi exit command */

```

For further information, please see the CFI Specification (see JEDEC publications JEP137-A and JESD68.01 and CFI Publication 100). Please contact your sales office for copies of these documents.

Table I2.3 CFI Query Identification String

Addresses	Data	Description
10h 11h 12h	0051h 0052h 0059h	Query Unique ASCII string <i>QRY</i>
13h 14h	0002h 0000h	Primary OEM Command Set
15h 16h	0040h 0000h	Address for Primary Extended Table
17h 18h	0000h 0000h	Alternate OEM Command Set (00h = none exists)
19h 1Ah	0000h 0000h	Address for Alternate OEM Extended Table (00h = none exists)

Table I2.4 System Interface String

Addresses	Data	Description
1Bh	0027h	V _{CC} Min. (write/erase) D7 – D4: volt, D3 – D0: 100 millivolt
1Ch	0036h	V _{CC} Max. (write/erase) D7 – D4: volt, D3 – D0: 100 millivolt
1Dh	0000h	V _{PP} Min. voltage (00h = no V _{PP} pin present)
1Eh	0000h	V _{PP} Max. voltage (00h = no V _{PP} pin present)
1Fh	0006h	Typical timeout per single byte/word write 2 ^N μs
20h	0009h	Typical timeout for Min. size buffer write 2 ^N μs (00h = not supported)
21h	000Bh	Typical timeout per individual block erase 2 ^N ms
22h	0000h	Typical timeout for full chip erase 2 ^N ms (00h = not supported)
23h	0003h	Max. timeout for byte/word write 2 ^N times typical
24h	0003h	Max. timeout for buffer write 2 ^N times typical
25h	0002h	Max. timeout per individual block erase 2 ^N times typical
26h	0000h	Max. timeout for full chip erase 2 ^N times typical (00h = not supported)

Table I2.5 Device Geometry Definition

Addresses	Data	Description
27h	0019h (PL256N) 0018h (PL127N) 0018h (PL129N)	Device Size = 2 ^N byte
28h 29h	0001h 0000h	Flash Device Interface description (see CFI publication 100)
2Ah 2Bh	0006h 0000h	Max. number of byte in multi-byte write = 2 ^N (00h = not supported)
2Ch	0003h	Number of Erase Block Regions within device
2Dh 2Eh 2Fh 30h	0003h 0000h 0000h 0001h	Erase Block Region 1 Information (see the CFI specification or CFI publication 100)
31h	007Dh (PL256N) 003Dh (PL127N) 003Dh (PL129N)	Erase Block Region 2 Information (see the CFI specification or CFI publication 100)
32h 33h 34h	0000h 0000h 0004h	
35h 36h 37h 38h	0003h 0000h 0000h 0001h	Erase Block Region 3 Information (see the CFI specification or CFI publication 100)

Table 12.6 Primary Vendor-Specific Extended Query

Addresses	Data	Description
40h 41h 42h	0050h 0052h 0049h	Query-unique ASCII string <i>PRI</i>
43h	0031h	Major version number, ASCII (reflects modifications to the silicon)
44h	0034h	Minor version number, ASCII (reflects modifications to the CFI table)
45h	0010h	Address Sensitive Unlock (Bits 1 – 0) 0 = Required, 1 = Not Required Silicon Technology (Bits 5 – 2) 0100 = 0.11 μm
46h	0002h	Erase Suspend 0 = Not Supported, 1 = To Read Only, 2 = To Read & Write
47h	0001h	Sector Protect 0 = Not Supported, X = Number of sectors in per group
48h	0000h	Sector Temporary Unprotect 00 = Not Supported, 01 = Supported
49h	0008h (PL-N)	Sector Protect/Unprotect scheme 01 = 29F040 mode, 02 = 29F016 mode, 03 = 29F400 mode, 04 = 29LV800 mode 07 = New Sector Protect mode, 08 = Advanced Sector Protection
4Ah	0073h (PL256N) 003Bh (PL127N) 003Bh (PL129N)	Simultaneous Operation 00 = Not Supported, X = Number of Sectors except Bank A
4Bh	0000h	Burst Mode Type 00 = Not Supported, 01 = Supported
4Ch	0002h (PL-N)	Page Mode Type 00 = Not Supported, 01 = 4 Word Page, 02 = 8 Word Page
4Dh	0085h	ACC (Acceleration) Supply Minimum 00h = Not Supported, D7 – D4: Volt, D3 – D0: 100 mV
4Eh	0095h	ACC (Acceleration) Supply Maximum 00h = Not Supported, D7 – D4: Volt, D3 – D0: 100 mV
4Fh	0001h	Top/Bottom Boot Sector Flag 00h = No Boot, 01h = Dual Boot Device, 02h = Bottom Boot Device, 03h = Top Boot Device
50h	0001h	Program Suspend 0 = Not supported, 1 = Supported
51h	0001h	Unlock Bypass 00 = Not Supported, 01 = Supported
52h	0007h	Secured Silicon Sector (Customer OTP Area) Size 2^N bytes
53h	000Fh	Hardware Reset Low Time-out during an embedded algorithm to read mode Maximum 2^N ns
54h	000Eh	Hardware Reset Low Time-out not during an embedded algorithm to read mode Maximum 2^N ns
55h	0005h	Erase Suspend Time-out Maximum 2^N μs
56h	0005h	Program Suspend Time-out Maximum 2^N μs
57h	0004h	Bank Organization 00 = Data at 4Ah is zero, X = Number of Banks
58h	0013h (PL256N) 000Bh (PL127N) 000Bh (PL129N)	Bank A Region Information. X = Number of sectors in bank
59h	0030h (PL256N) 0018h (PL127N) 0018h (PL129N)	Bank 1 Region Information. X = Number of sectors in bank
5Ah	0030h (PL256N) 0018h (PL127N) 0018h (PL129N)	Bank 2 Region Information. X = Number of sectors in bank
5Bh	0013h (PL256N) 000Bh (PL127N) 000Bh (PL129N)	Bank 3 Region Information. X = Number of sectors in bank

13 Commonly Used Terms

Term	Definition
ACC	<i>ACC</i> elerate. A special purpose input signal which allows for faster programming or erase operation when raised to a specified voltage above V_{CC} . In some devices ACC may protect all sectors when at a low voltage.
A_{max}	Most significant bit of the address input [A23 for 256 Mbit, A22 for 128 Mbit, A21 for 64 Mbit]
A_{min}	Least significant bit of the address input signals (A0 for all devices in this document).
Asynchronous	Operation where signal relationships are based only on propagation delays and are unrelated to synchronous control (clock) signal.
Autoselect	Read mode for obtaining manufacturer and device information as well as sector protection status.
Bank	Section of the memory array consisting of multiple consecutive sectors. A read operation in one bank, can be independent of a program or erase operation in a different bank for devices that offer simultaneous read and write feature.
Boot sector	Smaller size sectors located at the top and or bottom of Flash device address space. The smaller sector size allows for finer granularity control of erase and protection for code or parameters used to initiate system operation after power on or reset.
Boundary	Location at the beginning or end of series of memory locations.
Burst Read	<i>See synchronous read.</i>
Byte	8 bits
CFI	Common Flash Interface. A Flash memory industry standard specification [JEDEC 137-A and JESD68.01] designed to allow a system to interrogate the Flash to determine its size, type and other performance parameters.
Clear	Zero (Logic Low Level)
Configuration Register	Special purpose register which must be programmed to enable synchronous read mode
Continuous Read	Synchronous method of burst read whereby the device reads continuously until it is stopped by the host, or it has reached the highest address of the memory array, after which the read address wraps around to the lowest memory array address
Erase	Returns bits of a Flash memory array to their default state of a logical One (High Level).
Erase Suspend/Erase Resume	Halts an erase operation to allow reading or programming in any sector that is not selected for erasure
BGA	Ball Grid Array package. Spansion LLC offers two variations: Fortified Ball Grid Array and Fine-pitch Ball Grid Array. See the specific package drawing or connection diagram for further details.
Linear Read	Synchronous (burst) read operation in which 8, 16, or 32 words of sequential data with or without wraparound before requiring a new initial address.
MCP	Multi-Chip Product. A method of combining integrated circuits in a single package by <i>stacking</i> multiple die of the same or different devices.
Memory Array	The programmable area of the product available for data storage.
MirrorBit™ Technology	Spansion™ trademarked technology for storing multiple bits of data in the same transistor.
Page	Group of words that may be accessed more rapidly as a group than if the words were accessed individually.

Term	Definition
Page Read	Asynchronous read operation of several words in which the first word of the group takes a longer initial access time and subsequent words in the group take less <i>page</i> access time to be read. Different words in the group are accessed by changing only the least significant address lines.
Password Protection	Sector protection method which uses a programmable password, in addition to the Persistent Protection method, for protection of sectors in the Flash memory device.
Persistent Protection	Sector protection method that uses commands and only the standard core voltage supply to control protection of sectors in the Flash memory device. This method replaces a prior technique of requiring a 12V supply to control the protection method.
Program	Stores data into a Flash memory by selectively clearing bits of the memory array to leave a data pattern of <i>ones</i> and <i>zeros</i> .
Program Suspend/Program Resume	Halts a programming operation to read data from any location that is not selected for programming or erase.
Read	Host bus cycle that causes the Flash to output data onto the data bus.
Registers	Dynamic storage bits for holding device control information or tracking the status of an operation.
Secured Silicon	An area consisting of 256 bytes in which any word may be programmed once, and the entire area may be protected once from any future programming. Information in this area may be programmed at the factory or by the user. Once programmed and protected there is no way to change the secured information. This area is often used to store a software readable identification such as a serial number.
Sector Protection	Use of one or more control bits per sector to indicate whether each sector may be programmed or erased. If the Protection bit for a sector is set the embedded algorithms for program or erase ignore the program or erase commands related to that sector.
Sector	An Area of the memory array in which all bits must be erased together by an erase operation.
Simultaneous Operation	Mode of operation in which a host system may issue a program or erase command to one bank, that embedded algorithm operation may then proceed while the host immediately follows the embedded algorithm command with reading from another bank. Reading may continue concurrently in any bank other than the one executing the embedded algorithm operation.
Synchronous Operation	Operation that progresses only when a timing signal, known as a clock, transitions between logic levels (that is, at a clock edge).
VersatileIO™ (V _{IO})	Separate power supply or voltage reference signal that allows the host system to set the voltage levels that the device generates at its data outputs and the voltages tolerated at its data inputs.
Unlock Bypass	Mode that facilitates faster program times by reducing the number of command bus cycles required to issue a write operation command. In this mode the initial two <i>Unlock</i> write cycles, of the usual 4 cycle Program command, are not required – reducing all Program commands to two bus cycles while in this mode.
Word	Two contiguous bytes (16 bits) located at an even byte boundary. A double word is two contiguous words located on a two word boundary. A quad word is four contiguous words located on a four word boundary.

Term	Definition
Wraparound	Special burst read mode where the read address <i>wraps</i> or returns back to the lowest address boundary in the selected range of words, after reading the last Byte or Word in the range, e.g. for a 4 word range of 0 to 3, a read beginning at word 2 would read words in the sequence 2, 3, 0, 1.
Write	Interchangeable term for a program/erase operation where the content of a register and or memory location is being altered. The term write is often associated with <i>writing command cycles</i> to enter or exit a particular mode of operation.
Write Buffer	Multi-word area in which multiple words may be programmed as a single operation. A Write Buffer may be 16 to 32 words long and is located on a 16 or 32 word boundary respectively.
Write Buffer Programming	Method of writing multiple words, up to the maximum size of the Write Buffer, in one operation. Using Write Buffer Programming results in greater than eight times faster programming time than by using single word at a time programming commands.
Write Operation Status	Allows the host system to determine the status of a program or erase operation by reading several special purpose register bits.

I4 Revisions

Revision A0 (February 28, 2005)

Initial Release

Revision A1 (August 8, 2005)

Performance Characteristics

Updated Package Options

MCP Look-Ahead Connection Diagram

Corrected Pinout

Memory Map

Added Sector and Memory Address Map for S29PL127N

Device Operation Table

Added Dual Chip Enable Device Operation Table

V_{CC} Power Up

Updated t_{VCS}.

Added V_{CC} ramp rate restriction

DC Characteristics

Updated typical and maximum values.

Revision A2 (October 25, 2005)

Ordering Information

Updated table.

Connection Diagram and Package Dimensions - S29PL-N Fortified BGA

Added pinout and package dimensions.

Global

Changed data sheet status from Advance Information to Preliminary.

Removed Byte Address Information

Distinctive and Performance Characteristics

Removed Enhanced Versatile I/O, updated read access times, and Package options.

Logic Symbol and Block Diagram

Removed V_{IO} from Logic Symbol and Block Diagram.

Erase and Programming Performance

Updated table.

Write Buffer Programming

Updated Write Buffer Abort Description.

Operating Ranges

Updated V_{IO} supply voltages.

DC characteristics

Updated I_{CC1}, I_{CC4}, I_{CC6}.

Revision A3 (November 14, 2005)**Ordering Information**

Updated table

Valid Combinations Table

Updated table

Revision A4 (November 23, 2005)**Logic Symbols**Removed V_{IO} from the illustrations**Block Diagram**Removed V_{IO} from the illustration**Connection Diagrams**

Modified Fortified BGA Pinout (LAA064)

PL129N Sector and Memory Address Map

Updated Address Ranges for Banks 2A and 2B

Colophon

The products described in this document are designed, developed and manufactured as contemplated for general use, including without limitation, ordinary industrial use, general office use, personal use, and household use, but are not designed, developed and manufactured as contemplated (1) for any use that includes fatal risks or dangers that, unless extremely high safety is secured, could have a serious effect to the public, and could lead directly to death, personal injury, severe physical damage or other loss (i.e., nuclear reaction control in nuclear facility, aircraft flight control, air traffic control, mass transport control, medical life support system, missile launch control in weapon system), or (2) for any use where chance of failure is intolerable (i.e., submersible repeater and artificial satellite). Please note that Spansion will not be liable to you and/or any third party for any claims or damages arising in connection with above-mentioned uses of the products. Any semiconductor device has an inherent chance of failure. You must protect against injury, damage or loss from such failures by incorporating safety design measures into your facility and equipment such as redundancy, fire protection, and prevention of over-current levels and other abnormal operating conditions. If any products described in this document represent goods or technologies subject to certain restrictions on export under the Foreign Exchange and Foreign Trade Law of Japan, the US Export Administration Regulations or the applicable laws of any other country, the prior authorization by the respective government entity will be required for export of those products.

Trademarks and Notice

The contents of this document are subject to change without notice. This document may contain information on a Spansion LLC product under development by Spansion LLC. Spansion LLC reserves the right to change or discontinue work on any product without notice. The information in this document is provided as is without warranty or guarantee of any kind as to its accuracy, completeness, operability, fitness for particular purpose, merchantability, non-infringement of third-party rights, or any other warranty, express, implied, or statutory. Spansion LLC assumes no liability for any damages of any kind arising out of the use of the information in this document.

Copyright ©2005 Spansion LLC. All rights reserved. Spansion, the Spansion logo, and MirrorBit are trademarks of Spansion LLC. Other company and product names used in this publication are for identification purposes only and may be trademarks of their respective companies.