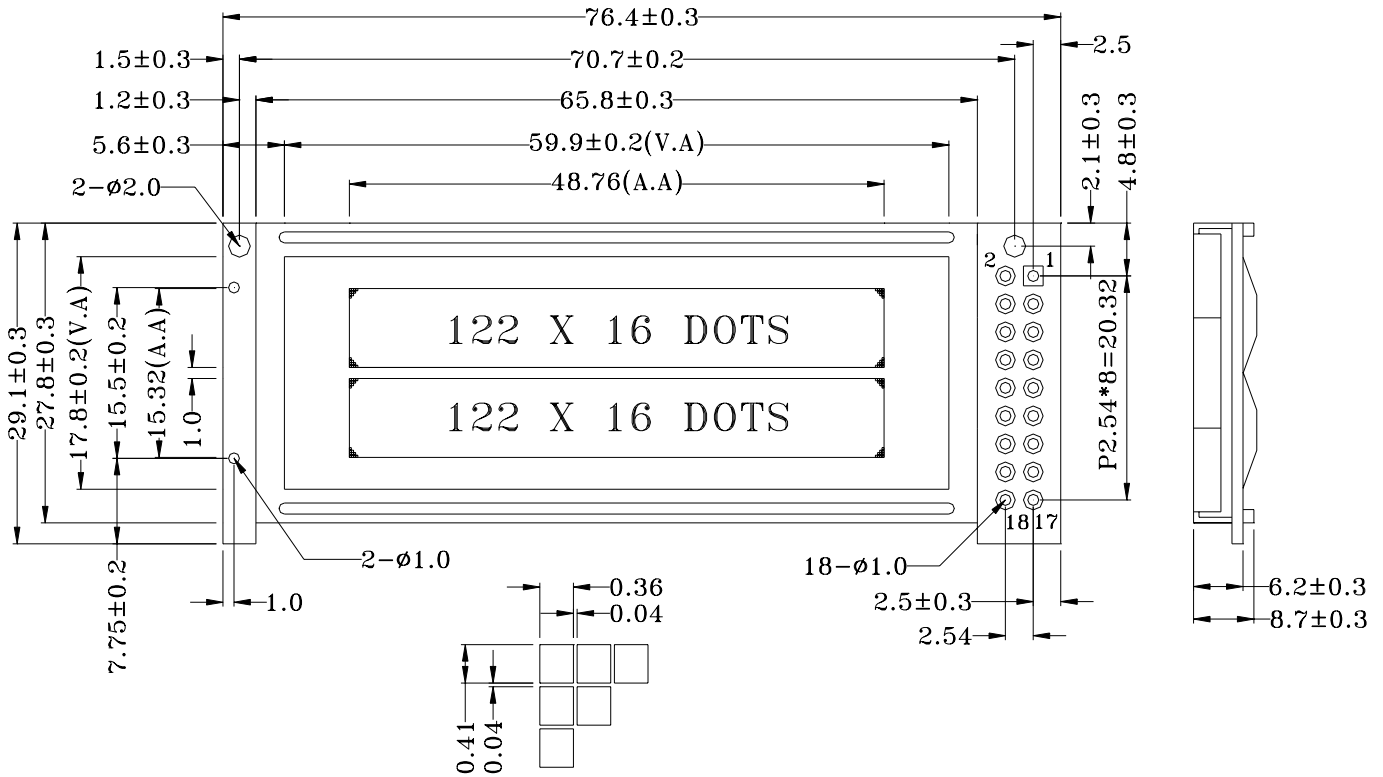


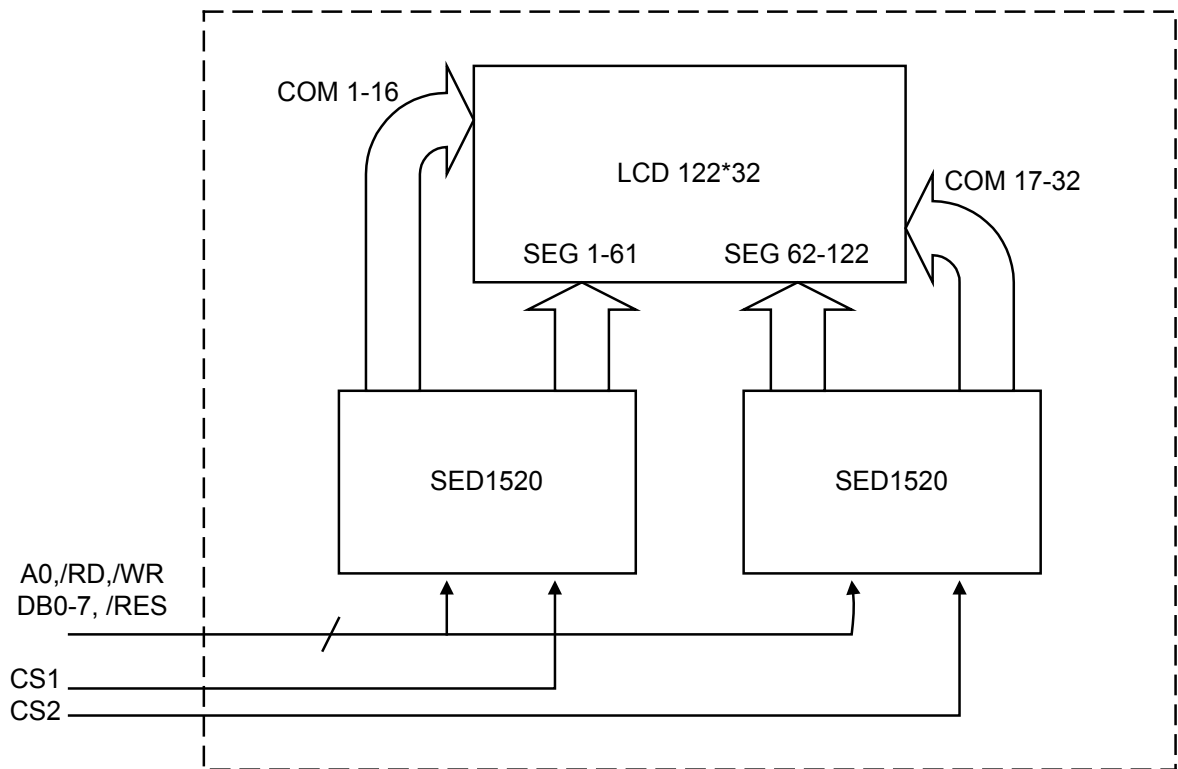
1 OUTLINE DIMENSION



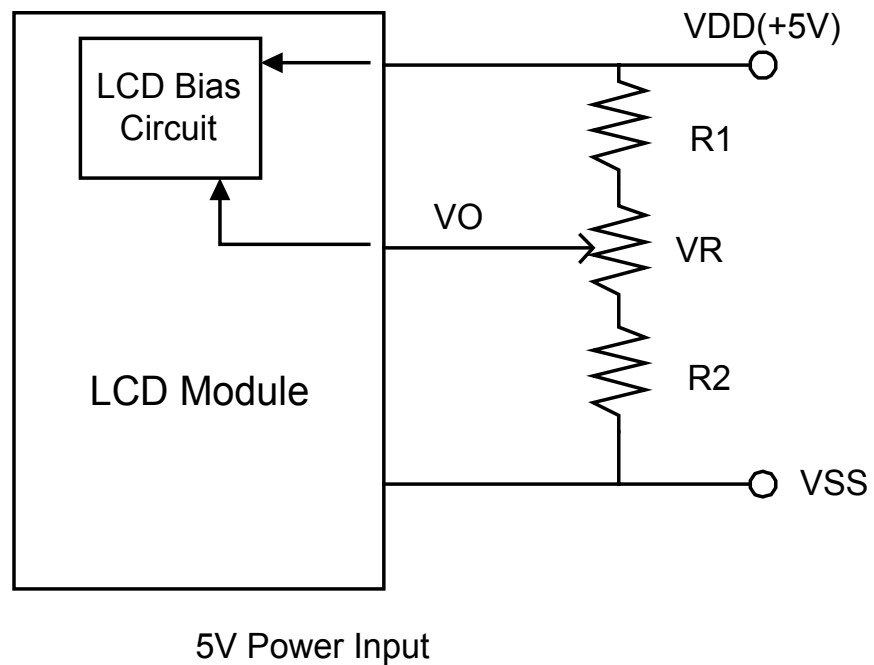
2 PIN CONNECTIONS

NO.	SYMBOL	FUNCTION
1	VDD	POWER SUPPLY FOR LOGIC CIRCUIT
2	VSS	POWER SUPPLY (0V,GND)
3	VO	POWER SUPPLY FOR LCD
4	RES	H→68 SERIES , L→80 SERIES
5	E1	READ/WRITE ENABLE SIGNAL(MASTER)
6	E2	READ/WRITE ENABLE SIGNAL(SLAVE)
7	R/W	READ/WRITE SELECT SIGNAL
8	A0	L→INSTRUCTION , H→ DATA
9~16	DB0-DB7	DATA BUS LINE
17	LEDA	LED Backlight supply Voltage (2.1V)
18	LEDK	LED Supply Voltage (0V)

3 BLOCK DIAGRAM & INTERFACE



4 POWER SUPPLY



5 ELECTRO-OPTICAL CHARACTERISTICS

Parameter	Symbol	Condition	Min	Typ	Max	Unit	Note
----- Electronic Characteristics -----							
Logic Circuit Supply Voltage	VDD-VSS	--	4.5	5.0	5.5	V	
LCD Driving Voltage (Normal Temp. type)	VDD-VO	0 °C	--	--	--	V	
		25 °C	--	5.0	--		
		50 °C	--	--	--		
Input Voltage	VIH	--	0.7 VDD	--	VDD	V	
	VIL	--	VSS	--	0.3 VDD	V	
Logic Supply Current	IDD	VDD = 5V	--	1	2	mA	
----- Temperature Characteristics -----							
Normal temp. type	TOP	Operating Temp.	0		50	°C	
	TSTG	Storage Temp.	-10		60	°C	
Extended temp. type	TOP	Operating Temp.	-20		70	°C	
	TSTG	Storage Temp.	-30		80	°C	
----- LED Back-light Characteristics -----							
Parameter	Symbol	Condition	Min	Typ	Max	Unit	Note
Forward Voltage	VF	--	3.8	4.2	4.5	V	Supply Voltage between A&K
Forward Current	IF	VF=4.05V	--	40	--	mA	
Bare LED Luminous intensity		VF=4.05V	--	80	--	cd/m ²	
LCM Luminous intensity		VF=4.05V	--	12	--	cd/m ²	