
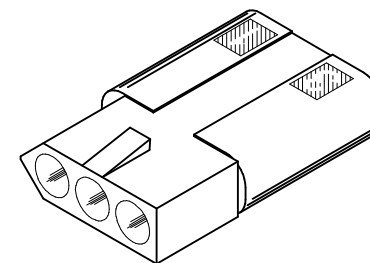
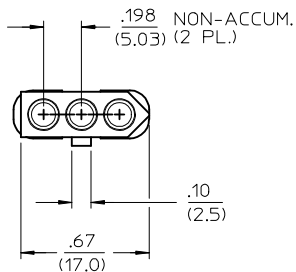
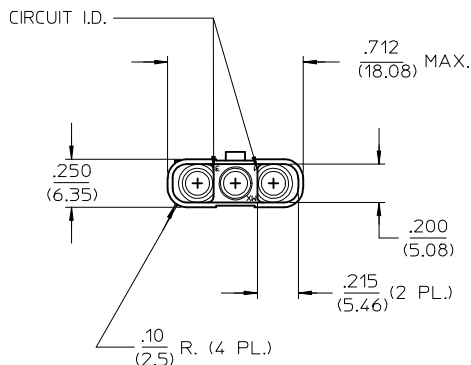
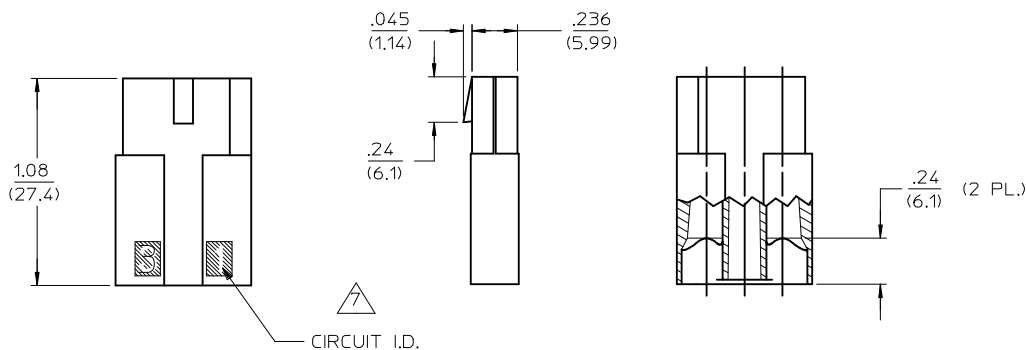


NOTES:

1. MATERIAL: A = NYLON 66, UL94V-2, COLOR: NATURAL.
B = UL94V-0, PA6 NYLON, IEC 60335-1, 4TH EDITION, GLOW WIRE CAPABLE.
2. FINISH: NONE
3. PRODUCT SPECIFICATION: NONE
4. PACKAGING SPECIFICATION: NONE
5. THIS HOUSING IS FOR USE WITH MOLEX .093/(2.36) DIA. SERIES TERMINALS AND MATES WITH THE 1396-P* AND 42191-P* HOUSINGS.
6. THIS HOUSING IS PRIMARILY INTENDED FOR USE WITH APPLICATIONS USING 18 AWG, SPT-3 POWER CORDS. WHEN USING SPT-3 WIRE, TERMINALS CRIMPED TO THE OUTER CONDUCTORS (HAVING THE D-SHAPED INSULATION) ARE TO BE INSERTED IN CIRCUITS 1 & 3.
7.  CIRCUIT I.D. ON THIS SURFACE MAY OR MAY NOT BE PRESENT, DEPENDING ON AGE OF TOOL.
8. PARTS CONFORM TO CLASS B REQUIREMENTS OF COSMETIC SPECIFICATION PS-45499-002 EXCEPT MAT'L OPTION 'B' MEETS CLASS 'C' REQUIREMENTS FOR SINK AND DISCOLORATION.



RECEPTACLE
POSITIVE LOCK RAMP VERSION
SCALE 3:1



ADD MAT'L OPTION B
IEC NO: UCP2007-2702
DRAWN/PRD: 2008/12/15
CHKD: AELHAG 2008/12/16
APPR: FSMITH 2008/12/16

QUALITY SYMBOLS
▽=0
▽=0

GENERAL TOLERANCES (UNLESS SPECIFIED)

	mm	INCH
4 PLACES	± .005	± .0005
3 PLACES	± .003	± .0003
2 PLACES	± 0.25	± .010
1 PLACE	± 0.36	± .014

ANGULAR ±1/2°

DRAFT WHERE APPLICABLE MUST REMAIN WITHIN DIMENSIONS

DIMENSION STYLE IN/MM

DRAWN BY	DATE
GMC	1989/10/31
CHECKED BY	DATE
RW	1989/10/31
APPROVED BY	DATE
GWJ	1989/10/31

MATERIAL NO. SEE CHART

SCALE	DESIGN UNITS	THIRD ANGLE PROJECTION
	INCH	

TITLE
.092/(2.36) HOUSING, RECEPTACLE, 3 CIRCUIT

MOLEX INCORPORATED

DOCUMENT NO. SD-6496-3R* SHEET NO. 1 OF 2

THIS DRAWING CONTAINS INFORMATION THAT IS PROPRIETARY TO MOLEX INCORPORATED AND SHOULD NOT BE USED WITHOUT WRITTEN PERMISSION

2	P1
1	P1
SHT. REV.	

RECEPTACLE	
PART NO.	ENG. NO.
03-09-1037	6496-3RA
03-09-1030	6496-3RB
PRELIMINARY	6496-3RC
50-36-1875	6496-3RB-1

LEGEND:

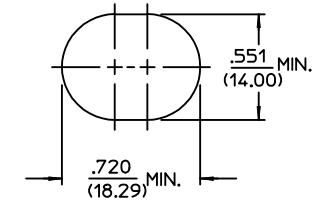
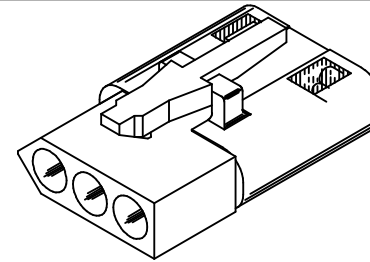
6496-***-*

CIRCUIT SIZE
R = RECEPTACLE

VERSION

- A = WITH TOP MOUNTED THUMB LATCH
- B = WITH POSITIVE LOCK RAMP
- C = WITH BOTTOM MOUNTED THUMB LATCH

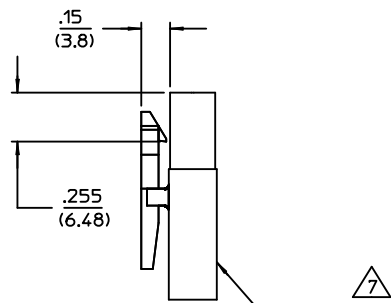
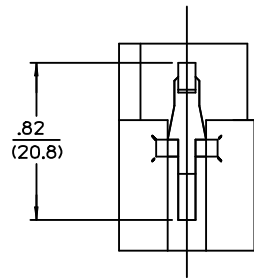
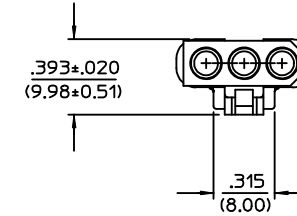
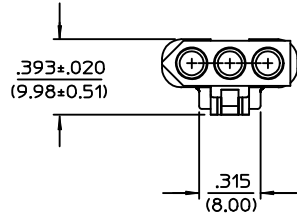
BLANK = MAT'L CODE A
1 = MAT'L CODE B



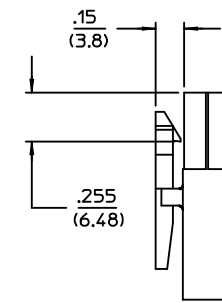
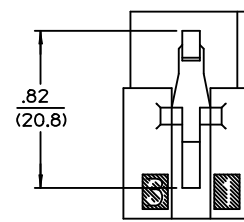
RECEPTACLE

TOP MOUNTED THUMB LATCH VERSION SHOWN
SCALE 3:1

RECOMMENDED PANEL
OPENING



CIRCUIT I.D. NO'S.
ON THIS SIDE



BOTTOM MOUNTED THUMB LATCH VERSION
SEE SHEET 1 FOR OTHER DIMENSIONS

TOP MOUNTED THUMB LATCH VERSION
SEE SHEET 1 FOR OTHER DIMENSIONS

ADD MAT'L & P/N EC NO: UCP2007-2702 DRW:PRD:DER 2008/12/15 CHKD:AELHAG 2008/12/16 APPR:FSMITH 2008/12/16	QUALITY SYMBOLS = 0 = 0	GENERAL TOLERANCES (UNLESS SPECIFIED) <table border="1"> <thead> <tr> <th></th> <th>mm</th> <th>INCH</th> </tr> </thead> <tbody> <tr> <td>4 PLACES</td> <td>± .---</td> <td>± .---</td> </tr> <tr> <td>3 PLACES</td> <td>± .---</td> <td>± .010</td> </tr> <tr> <td>2 PLACES</td> <td>± 0.25</td> <td>± .014</td> </tr> <tr> <td>1 PLACE</td> <td>± 0.36</td> <td>± .---</td> </tr> </tbody> </table>		mm	INCH	4 PLACES	± .---	± .---	3 PLACES	± .---	± .010	2 PLACES	± 0.25	± .014	1 PLACE	± 0.36	± .---	DIMENSION STYLE IN/MM	SCALE 2:1	DESIGN UNITS INCH	THIRD ANGLE PROJECTION
		mm	INCH																		
	4 PLACES	± .---	± .---																		
	3 PLACES	± .---	± .010																		
2 PLACES	± 0.25	± .014																			
1 PLACE	± 0.36	± .---																			
DRAWN BY GMC	DATE 1989/10/31	TITLE .092/(2.36) HOUSING, RECEPTACLE, 3 CIRCUIT																			
CHECKED BY RW	DATE 1989/10/31	APPROVED BY GWF																			
DATE 1989/10/31	MATERIAL NO. SEE CHART	DOCUMENT NO. SD-6496-3R*	SHEET NO. 2 OF 2																		