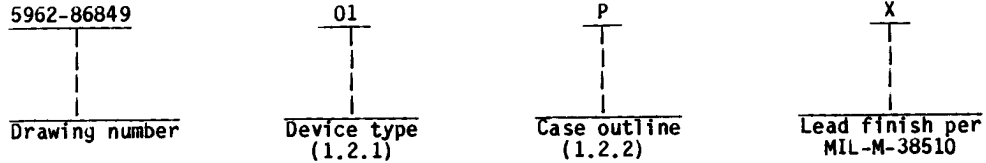




1. SCOPE

1.1 Scope. This drawing describes device requirements for class B microcircuits in accordance with 1.2.1 of MIL-STD-883, "Provisions for the use of MIL-STD-883 in conjunction with compliant non-JAN devices".

1.2 Part number. The complete part number shall be as shown in the following example:



1.2.1 Device type. The device type shall identify the circuit function as follows:

Device type	Generic number	Circuit function
01	1549	Current sensing analog latch with digital reset

1.2.2 Case outline. The case outline shall be as designated in appendix C of MIL-M-38510, and as follows:

Outline letter	Case outline
P	D-4 (8-lead, 1/4" x 3/8"), dual-in-line package

1.3 Absolute maximum ratings.

Input supply voltage ( $V_S$ )	-----	25 V dc
HI CM input voltage	-----	40 V dc
LO output "off" voltage	-----	40 V dc
LO output "on" current	-----	25 mA
Storage temperature range	-----	-65°C to +150°C
Lead temperature (soldering, 10 seconds)	-----	+300°C
Power dissipation ( $P_D$ )	-----	600 mW <u>1/</u>
Thermal resistance, junction-to-case ( $\theta_{JC}$ ):	-----	(See MIL-M-38510, appendix C)
Case P	-----	+175°C
Junction temperature	-----	+175°C

1.4 Recommended operating conditions.

Ambient operating temperature range ( $T_A$ )	-----	-55°C to +125°C
---	-------	-----------------

1/ Derate linearly above  $T_A = +25^\circ\text{C}$  at 5.0 mW/°C.

<b>MILITARY DRAWING</b> DEFENSE ELECTRONICS SUPPLY CENTER DAYTON, OHIO	SIZE A	CODE IDENT. NO.	DWG NO. 5962-86849
	REV	PAGE	2

DESC FORM 193A  
FEB 86

2. APPLICABLE DOCUMENTS

2.1 Government specification and standard. Unless otherwise specified, the following specification and standard, of the issue listed in that issue of the Department of Defense Index of Specifications and Standards specified in the solicitation, form a part of this drawing to the extent specified herein.

SPECIFICATION

MILITARY

MIL-M-38510 - Microcircuits, General Specification for

STANDARD

MILITARY

MIL-STD-883 - Test Methods and Procedures for Microelectronics

(Copies of the specification and standard required by manufacturers in connection with specific acquisition functions should be obtained from the contracting activity or as directed by the contracting activity.)

2.2 Order of precedence. In the event of a conflict between the text of this drawing and the references cited herein, the text of this drawing shall take precedence.

3. REQUIREMENTS

3.1 Item requirements. The individual item requirements shall be in accordance with 1.2.1 of MIL-STD-883, "Provisions for the use of MIL-STD-883 in conjunction with compliant non-JAN devices" and as specified herein.

3.2 Design, construction, and physical dimensions. The design, construction, and physical dimensions shall be as specified in MIL-M-38510 and herein.

3.2.1 Terminal connections. The terminal connections shall be as specified on figure 1.

3.2.2 Block diagram. The block diagram shall be as specified on figure 2.

3.2.3 Case outline. The case outline shall be in accordance with 1.2.2 herein.

3.3 Electrical performance characteristics. Unless otherwise specified, the electrical performance characteristics are as specified in table 1 and apply over the full recommended ambient operating temperature range.

3.4 Marking. Marking shall be in accordance with MIL-STD-883 (see 3.1 herein). The part shall be marked with the part number listed in 1.2 herein. In addition, the manufacturer's part number may also be marked as listed in 6.4 herein

3.5 Certificate of compliance. A certificate of compliance shall be required from a manufacturer in order to be listed as an approved source of supply in 6.4. The certificate of compliance submitted to DESC-ECS prior to listing as an approved source of supply shall state that the manufacturer's product meets the requirements of MIL-STD-883 (see 3.1 herein) and the requirements herein.

3.6 Certificate of conformance. A certificate of conformance as required in MIL-STD-883 (see 3.1 herein) shall be provided with each lot of microcircuits delivered to this drawing.

3.7 Notification of change. Notification of change to DESC-ECS shall be required in accordance with MIL-STD-883 (see 3.1 herein).

<b>MILITARY DRAWING</b> DEFENSE ELECTRONICS SUPPLY CENTER DAYTON, OHIO	SIZE	CODE IDENT. NO.	DWG NO.
	A		5962-86849
	REV	PAGE	3

DESC FORM 193A  
FEB 86

TABLE I. Electrical performance characteristics.

Test	Symbol	Conditions 1/ -55°C < T <sub>A</sub> < +125°C unless otherwise specified	Group A subgroups	Limits		Unit
				Min	Max	
<b>CM INPUT</b>						
Threshold voltage	V <sub>Td1</sub>	Pins 1 and 2 shorted, T <sub>J</sub> = +25°C	1	80	120	mV
Input impedance	Z <sub>IN</sub>	V(pin 3) = 50 mV, T <sub>J</sub> = +25°C	4	400	600	Ω
<b>HI CM INPUT</b>						
Threshold voltage	V <sub>Ti2</sub>	V <sub>CM</sub> = 2.0 V, pin 3 open, T <sub>J</sub> = +25°C	1	70	120	mV
	V <sub>Ti3</sub>	V <sub>CM</sub> = 4.0 V, pin 3 open, T <sub>J</sub> = +25°C	1	70	120	mV
Input current	I <sub>IN1</sub>	V(pin 1) = V(pin 2) = 4.0 V, T <sub>J</sub> = +25°C	1		300	μA
<b>CLOCK RESET</b>						
Minimum trigger voltage	V <sub>TRIG</sub>		1, 2, 3		2.5	V
Input current	I <sub>IN2</sub>	V(pin 7) = 4.0 V	1, 2, 3		40	μA
<b>HI OUTPUT</b>						
Off voltage	V <sub>OFF(HI)</sub>		1, 2, 3		0.1	V
On voltage	V <sub>ON(HI)</sub>	I <sub>L</sub> = 1.0 mA	1, 2, 3	2.8		V

See footnotes at end of table.

<b>MILITARY DRAWING</b> DEFENSE ELECTRONICS SUPPLY CENTER DAYTON, OHIO	SIZE	DWG NO.
	A	5962-86849
	REV	PAGE 4

DESC FORM 193A  
FEB 86

TABLE I. Electrical performance characteristics - Continued.

Test	Symbol	Conditions 1/ -55°C < T <sub>A</sub> < +125°C unless otherwise specified	Group A subgroups	Limits		Unit
				Min	Max	
LO OUTPUT						
Off leakage current	I <sub>L</sub>	V(pin 5) = 40 V	1, 2, 3		1.0	μA
On voltage	V <sub>ON(LO)</sub>	I <sub>L</sub> = -5.0 mA	1, 2, 3		0.5	V
Supply current	I <sub>S</sub>	V(pin 8) = 5.0 V	1, 2, 3		3.0	mA
		V(pin 8) = 20 V	1, 2, 3		15	mA
Reset minimum pulse width	t <sub>W1</sub>	Amplitude = 3.0 V, T <sub>A</sub> = +25°C, See figure 3	9		300	ns
Delay from reset to LO output	t <sub>D(OFF)</sub>	R <sub>L</sub> = 470Ω to V <sub>S</sub> , T <sub>A</sub> = +25°C, See figure 3	9		600	ns
LO input minimum pulse width	t <sub>W2</sub>	Amplitude = 200 mV, T <sub>A</sub> = +25°C, See figure 3	9		300	ns
Delay from LO input to LO output	t <sub>D(ON)</sub> LO CM	Amplitude = 200 mV, R <sub>L</sub> = 470Ω to V <sub>S</sub> , T <sub>A</sub> = +25°C See figure 3	9		360	ns
Delay from HI input to LO output	t <sub>D(ON)</sub> HI CM	Amplitude = 200 mV, V <sub>CM</sub> = 5.0 V, T <sub>A</sub> = +25°C, See figure 3	9		900	ns
Delay from HI output to LO output		LO CM input = 200 mV, T <sub>A</sub> = +25°C, See figure 3	9		60	ns

1/ All measurements apply at V<sub>S</sub> = +5.0 V and with the circuit unlatched or reset, unless otherwise specified.

<b>MILITARY DRAWING</b> DEFENSE ELECTRONICS SUPPLY CENTER DAYTON, OHIO	SIZE A	DWG NO 5962-86849
	REV	PAGE 5

DESC FORM 193A  
FEB 86

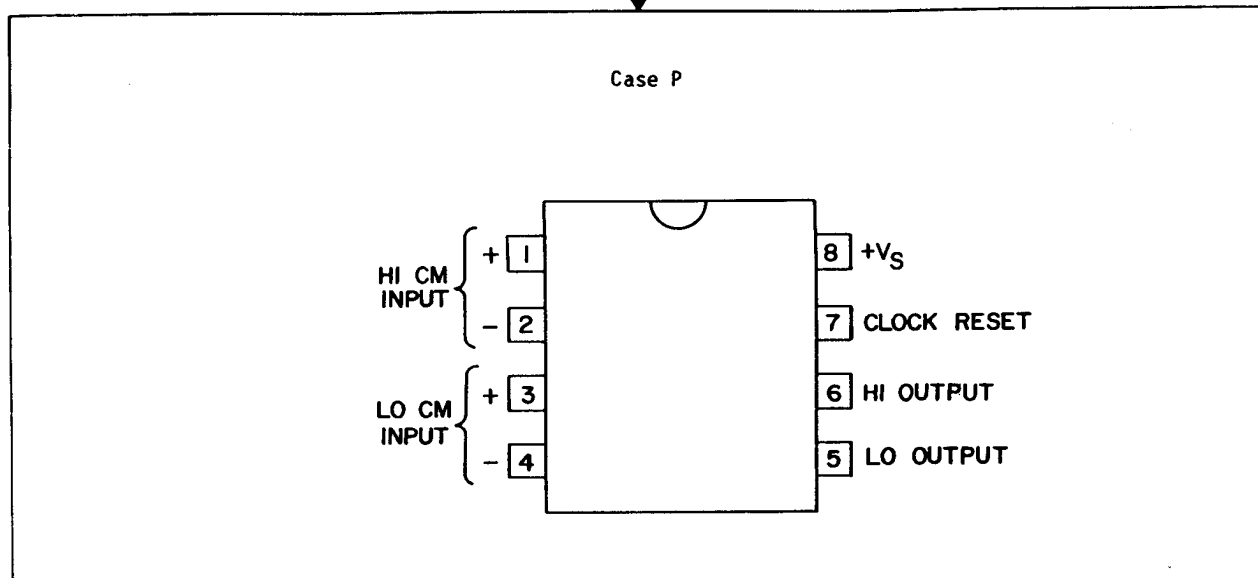


FIGURE 1. Terminal connections (top view).

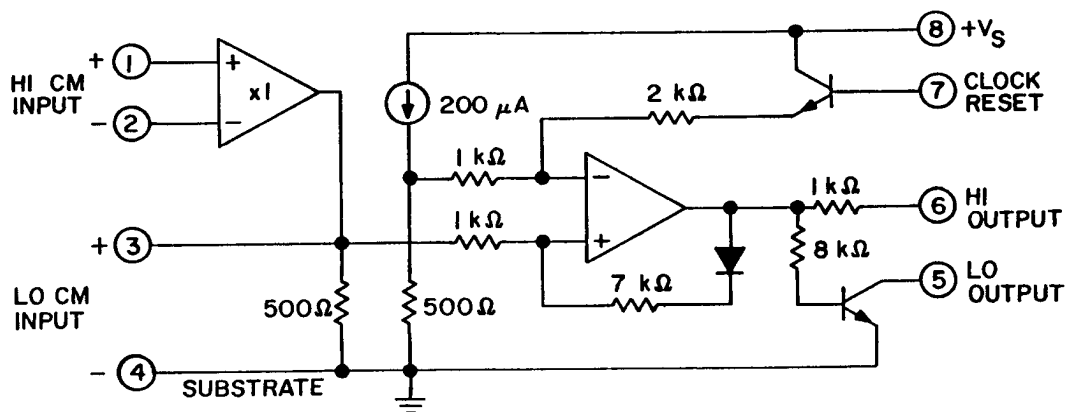


FIGURE 2. Block diagram.

<b>MILITARY DRAWING</b> DEFENSE ELECTRONICS SUPPLY CENTER DAYTON, OHIO	SIZE	DWG NO
	A	5962-86849
	REV	PAGE 6

DESC FORM 193A  
FEB 86

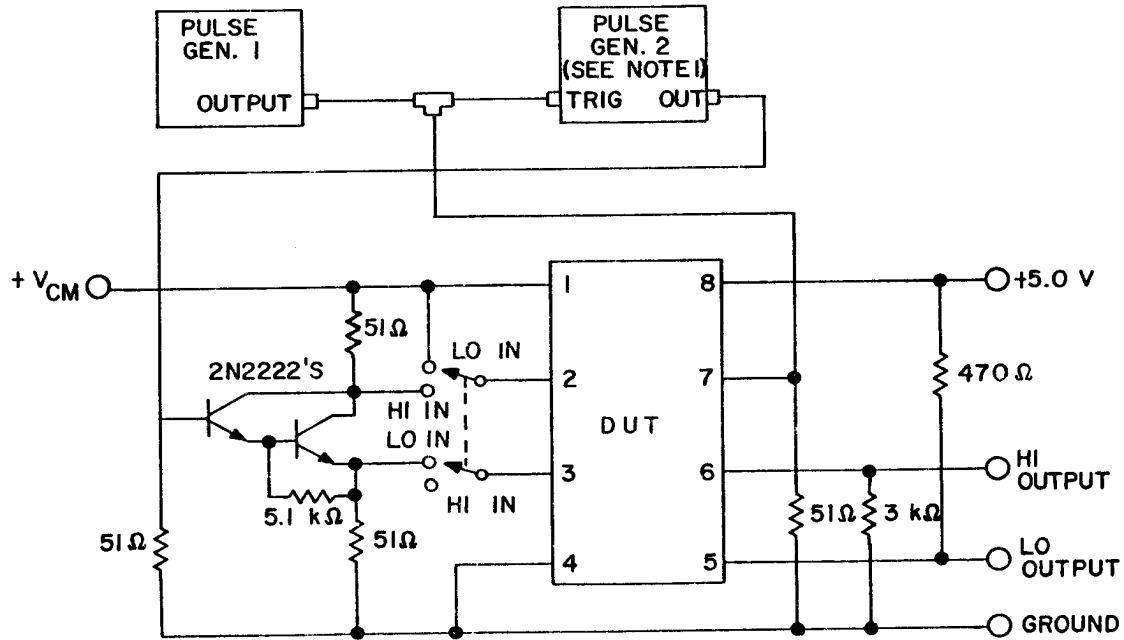
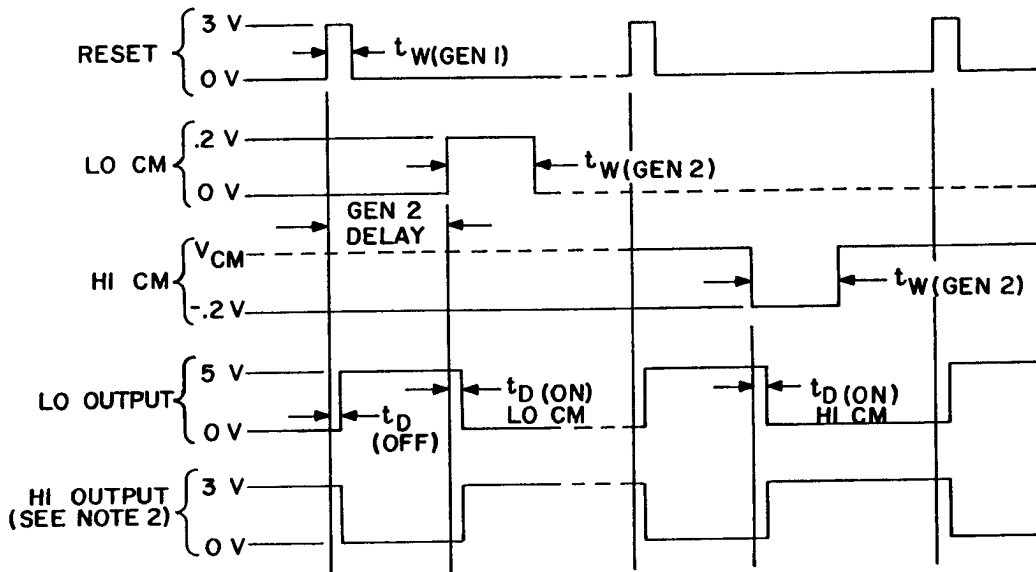


FIGURE 3. Switching times test circuit and waveforms.

<b>MILITARY DRAWING</b> DEFENSE ELECTRONICS SUPPLY CENTER DAYTON, OHIO	SIZE A	DWG NO. 5962-86849
	REV	PAGE 7

DESC FORM 193A  
FEB 86



NOTES:

1. Pulse generator 2 must have triggering, delay and amplitude controls.
2. HI OUTPUT precedes LO OUTPUT by approximately 30 ns.

FIGURE 3. Switching times test circuit and waveforms - Continued.

<b>MILITARY DRAWING</b> DEFENSE ELECTRONICS SUPPLY CENTER DAYTON, OHIO	SIZE A	DWG NO. 5962-86849
	REV	PAGE 8

DESC FORM 193A  
FEB 86



3.8 Verification and review. DESC, DESC's agent, and the acquiring activity retain the option to review the manufacturer's facility and applicable required documentation. Offshore documentation shall be made available onshore at the option of the reviewer.

4. **QUALITY ASSURANCE PROVISIONS**

4.1 Sampling and inspection. Sampling and inspection procedures shall be in accordance with section 4 of MIL-M-38510 to the extent specified in MIL-STD-883 (see 3.1 herein).

4.2 Screening. Screening shall be in accordance with method 5004 of MIL-STD-883, and shall be conducted on all devices prior to quality conformance inspection. The following additional criteria shall apply:

- a. Burn-in test (method 1015 of MIL-STD-883).
  - (1) Test condition A, B, C, or D using the circuit submitted with the certificate of compliance (see 3.5 herein).
  - (2)  $T_A = +125^{\circ}\text{C}$ , minimum.
- b. Interim and final electrical test parameters shall be as specified in table II herein, except interim electrical parameter tests prior to burn-in are optional at the discretion of the manufacturer.

4.3 Quality conformance inspection. Quality conformance inspection shall be in accordance with method 5005 of MIL-STD-883 including groups A, B, C, and D inspections. The following additional criteria shall apply.

4.3.1 Group A inspection.

- a. Tests shall be as specified in table II herein.
- b. Subgroups 5, 6, 7, 8, 10, and 11 in table I, method 5005 of MIL-STD-883 shall be omitted.

4.3.2 Groups C and D inspections.

- a. End-point electrical parameters shall be as specified in table II herein.
- b. Steady-state life test (method 1005 of MIL-STD-883) conditions:
  - (1) Test condition A, B, C, or D using the circuit submitted with the certificate of compliance (see 3.5 herein).
  - (2)  $T_A = +125^{\circ}\text{C}$ , minimum.
  - (3) Test duration: 1,000 hours, except as permitted by appendix B of MIL-M-38510 and method 1005 of MIL-STD-883.

<b>MILITARY DRAWING</b> DEFENSE ELECTRONICS SUPPLY CENTER DAYTON, OHIO	SIZE A	CODE IDENT. NO.	DWG NO. 5962-86849
		REV	PAGE 9

DESC FORM 193A  
FEB 86



TABLE II. Electrical test requirements.

MIL-STD-883 test requirements	Subgroups (per method 5005, table I)
Interim electrical parameters (method 5004)	1
Final electrical test parameters (method 5004)	1*, 2, 3, 9
Group A test requirements (method 5005)	1, 2, 3, 4, 9
Groups C and D end-point electrical parameters (method 5005)	1

\* PDA applies to subgroup 1.

5. PACKAGING

5.1 Packaging requirements. The requirements for packaging shall be in accordance with MIL-M-38510.

6. NOTES

6.1 Intended use. Microcircuits conforming to this drawing are intended for use when military specifications do not exist and qualified military devices that will perform the required function are not available for OEM application. When a military specification exists and the product covered by this drawing has been qualified for listing on QPL-38510, the device specified herein will be inactivated and will not be used for new design. The QPL-38510 product shall be the preferred item for all applications.

6.2 Replaceability. Microcircuits covered by this drawing will replace the same generic device covered by a contractor-prepared specification or drawing.

6.3 Comments. Comments on this drawing should be directed to DESC-ECS, Dayton, Ohio 45444, or telephone 513-296-5375.

<b>MILITARY DRAWING</b> DEFENSE ELECTRONICS SUPPLY CENTER DAYTON, OHIO	SIZE	CODE IDENT. NO.	DWG NO.
	A		5962-86849
		REV	PAGE 10

DESC FORM 193A  
FEB 86



6.4 Approved source of supply. An approved source of supply is listed herein. Additional sources will be added as they become available. The vendor listed herein has agreed to this drawing and a certificate of compliance (see 3.5 herein) has been submitted to DESC-ECS.

Military drawing part number	Vendor CAGE number	Vendor <u>1/</u> similar part number
5962-8684901PX	34333	SG1549Y/883B

1/ Caution. Do not use this number for item acquisition. Items acquired by this number may not satisfy the performance requirements of this drawing.

Vendor CAGE number

34333

Vendor name and address

Silicon General, Incorporated  
11651 Monarch Street  
Garden Grove, CA 92641

<b>MILITARY DRAWING</b> DEFENSE ELECTRONICS SUPPLY CENTER DAYTON, OHIO	SIZE A	CODE IDENT NO.	DWG NO 5962-86849
		REV	PAGE 11

DESC FORM 193A  
FEB 86