

DWG. NO.
SD-53259-001

F

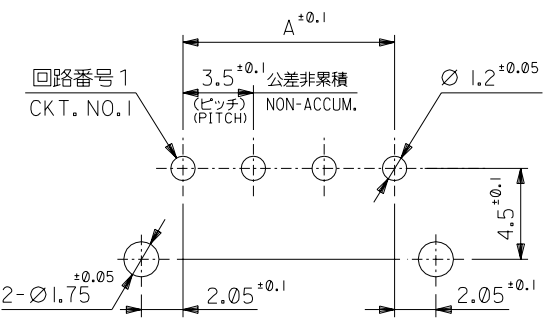
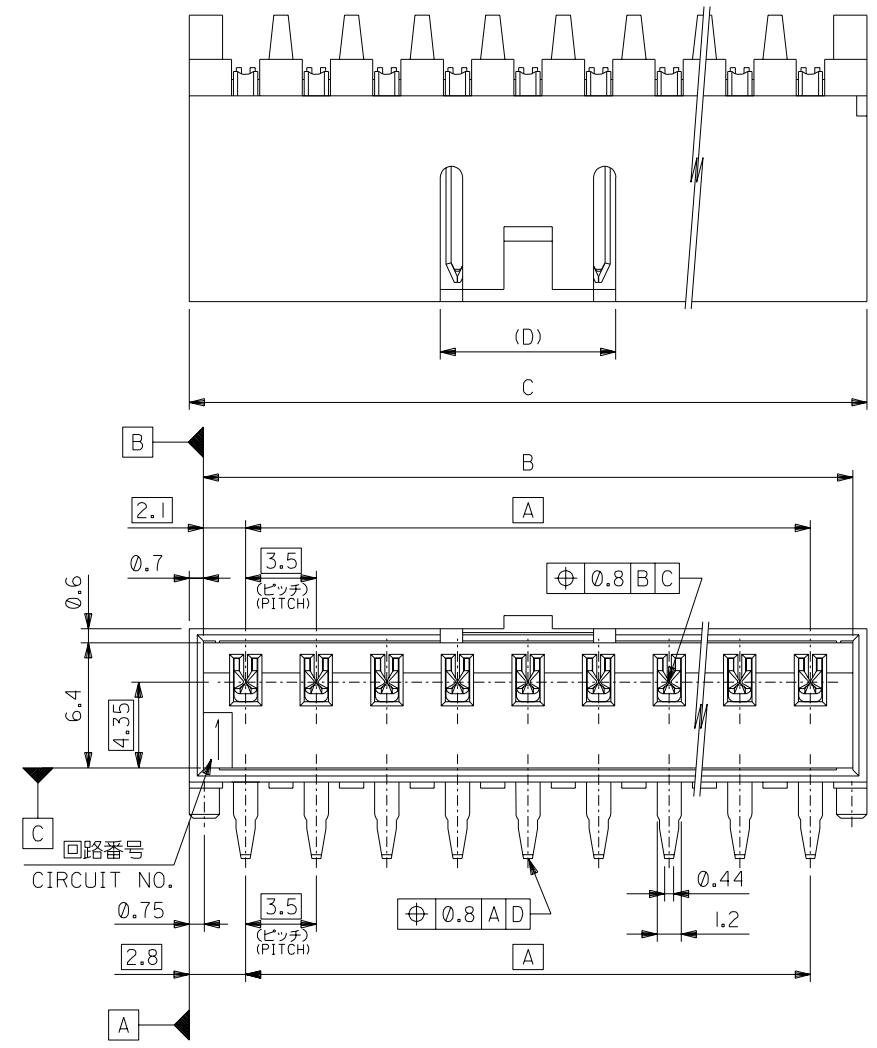
D

V

C

B

DO NOT SCALE DRAWING



基板取付穴推奨寸法(参考) (t=1.6)
RECOMMENDED P.C. BOARD DIM. (REF.)

注記 NOTES

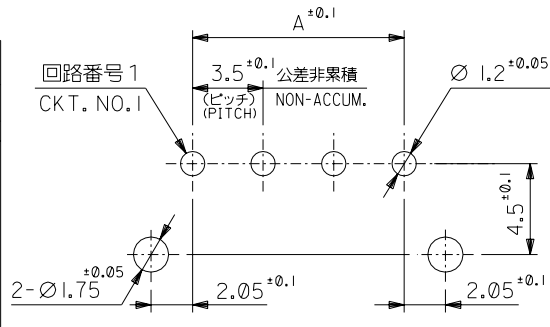
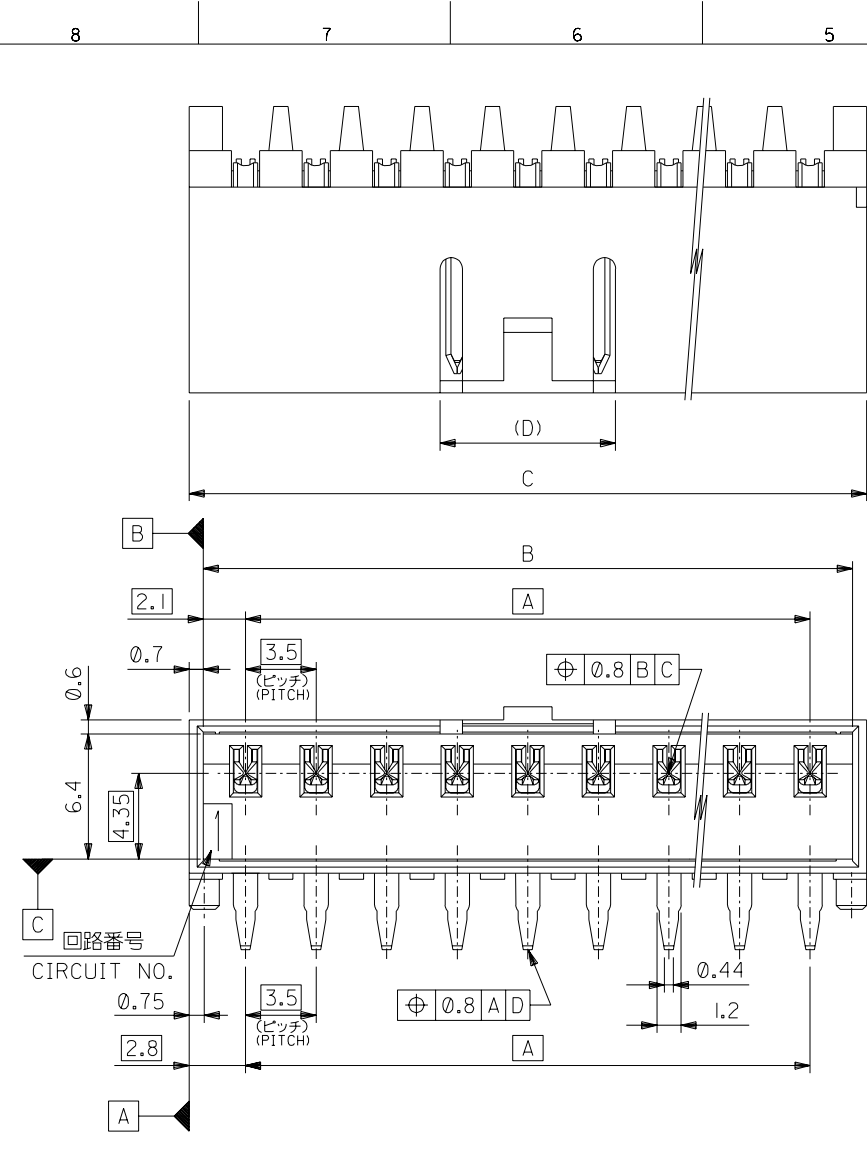
- 嵌合相手: 51067 シリーズ
MATE WITH: 51067 SERIES
- 材質 MATERIAL
ウエハー: PBTP (ガラス15%入り), UL94V-0
WAFER: PBTP (G.F 15%), UL94V-0
ピン: 黄銅, ニッケル下地 錫銅メッキ (t=0.254)
PIN: BRASS, TIN-COPPER OVER NICKEL PLATING (t=0.254)

無鉛
LEAD FREE

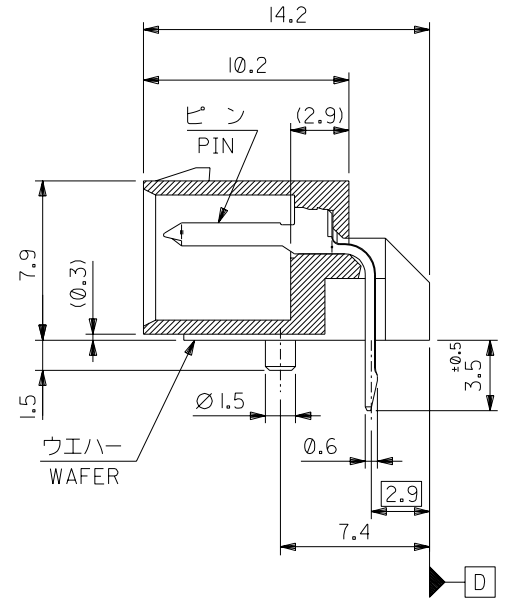
8.7	54.6	53.2	49.0	53259-1527	15
	51.1	49.7	45.5	-1427	14
	47.6	46.2	42.0	-1327	13
	44.1	42.7	38.5	-1227	12
	40.6	39.2	35.0	-1127	11
	37.1	35.7	31.5	-1027	10
	33.6	32.2	28.0	-0927	9
	30.1	28.7	24.5	-0827	8
	26.6	25.2	21.0	-0727	7
	23.1	21.7	17.5	-0627	6
	19.6	18.2	14.0	-0527	5
8.7	16.1	14.7	10.5	-0427	4
6.1	12.6	11.2	7.0	-0327	3
6.1	9.1	7.7	3.5	53259-0227	2
(D)	C	B	A	MATERIAL NO.	CKT. 極数

16 NO. DRWN: CH'K: APPR: 163 NO. DRWN: CH'K: APPR: 162 NO. DRWN: CH'K: APPR: 161 NO. DRWN: CH'K: APPR:	RELEASED 160 NO. 12002-2624 DRWN: Y.MIZUNO '02/4/16 CH'K: K.ASAKAWA '02/4/17 APPR: T.YAMAGUCHI	MATERIAL 材料 FINISH 仕上げ WIRE RANGE 適用線径範囲 INS. RANGE 被覆外径	注記参照 SEE NOTES 注記参照 SEE NOTES	GENERAL TOLERANCES: (UNLESS SPECIFIED) 一般公差 10 UNDER 未満 ±0.2 10 OVER 以上 30 UNDER 未満 ±0.25 30 OVER 以上 ±0.3 ANGLE 角度 ±3°		SCALE 4:1 DESIGN UNITS <input checked="" type="checkbox"/> mm <input type="checkbox"/> INCH	DIMENSIONS: <input checked="" type="checkbox"/> mm <input type="checkbox"/> INCH SHT 1 OF 1 REV
				DRAWN BY & DATE Y.MIZUNO '02/4/16 CHECKED BY & DATE K.ASAKAWA '02/4/17 APPROVED BY & DATE T.YAMAGUCHI '02/4/17 CAD FILENAME SD53259001.S01	TITLE: 3.5 W-To-B Conn WAFER Assy (R/A) MOLEX MOLEX INCORPORATED MATERIAL NO. 53259-**27 DRAWING NO. SD-53259-001	SHEET NO. 1 OF 1 SIZE B	

SD53259001.S01



基板取付穴推奨寸法 (参考) (t=1.6)
RECOMMENDED P.C. BOARD HOLE DIM. (REF.)



注記 NOTES

1. 嵌合相手 : 51067 シリーズ
MATE WITH : 51067 SERIES
2. 材質 MATERIAL
ウエハー : PBTP (ガラス15%入り)、UL94V-0
WAFFER : PBTP (G.F 15%), UL94V-0
ピン : 黄銅、ニッケル下地 錫メッキ (t=0.254)
PIN : BRASS
TIN OVER NICKEL PLATING (t=0.254)
3. 本製品は 53259-**-20 の鉛フリー品である。
THIS PRODUCT IS LEAD FREE OF 53259-**-20.

8.7	54.6	53.2	49.0	53259-1529	15
	51.1	49.7	45.5	-1429	14
	47.6	46.2	42.0	-1329	13
	44.1	42.7	38.5	-1229	12
	40.6	39.2	35.0	-1129	11
	37.1	35.7	31.5	-1029	10
	33.6	32.2	28.0	-0929	9
	30.1	28.7	24.5	-0829	8
	26.6	25.2	21.0	-0729	7
	23.1	21.7	17.5	-0629	6
	19.6	18.2	14.0	-0529	5
8.7	16.1	14.7	10.5	-0429	4
6.1	12.6	11.2	7.0	-0329	3
6.1	9.1	7.7	3.5	53259-0229	2
(D)	C	B	A	MATERIAL NO.	CKT. 極数

EC NO. DRAWN: CHK'G: APPR:	EC NO. DRAWN: CHK'G: APPR:	EC NO. DRAWN: CHK'G: APPR:	REVISED '04/06/09 EC NO. J2004-4642 DRAWN: Y.WADA CHK'G: M.SASAO APPR: M.SASAO	RELEASED '04/04/22 EC NO. J2004-3946 DRAWN: T.UENO CHK'G: M.SASAO APPR: M.SASAO	DESCRIPTION MATERIAL 材料 FINISH 仕上げ WIRE RANGE 適用層線範囲 INS. RANGE 被覆外径	注記参照 SEE NOTES 注記参照 SEE NOTES — —	GENERAL TOLERANCES: (UNLESS SPECIFIED) 一般公差 10 UNDER 未満 ±0.2 10 OVER 以上 30 UNDER 未満 ±0.25 30 OVER 以上 ±0.3 ANGLE 角度 ±3°	SCALE 4:1 DESIGN UNITS <input checked="" type="checkbox"/> mm <input type="checkbox"/> INCH DRAWN BY & DATE T.UENO '04/04/22 CHECKED BY & DATE M.SASAO '04/04/22 APPROVED BY & DATE M.SASAO '04/04/22 CAD FILENAME SD-53259-003.S01	MODEL NO. 53259-**-29 DIMENSIONS: <input type="checkbox"/> mm <input type="checkbox"/> INCH <input checked="" type="checkbox"/> mm ONLY THIRD ANGLE PROJECTION SHT 1 OF 1 REV REVISE ON CAD ONLY	TITLE: 3.5 W-To-B Conn WAFER Assy (R/A) -LEAD FREE-	MATERIAL NO. DRAWING NO. SEE CHART SD-53259-003	SIZE B
-------------------------------------	-------------------------------------	-------------------------------------	--	---	--	--	--	--	--	---	--	-----------