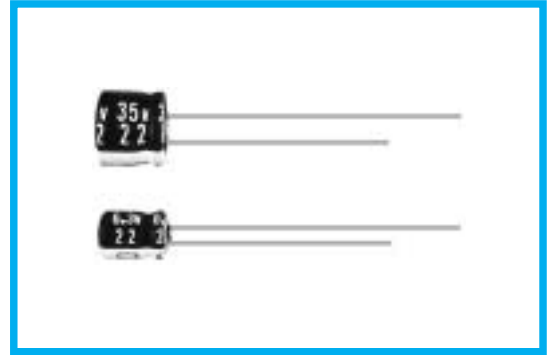


MH5 SERIES
105°C 5mm Height.
◆FEATURES

- RoHS compliance.

MH5

Long Life

ML

◆SPECIFICATIONS

Items	Characteristics																					
Category Temperature Range	-40~+105°C																					
Rated Voltage Range	6.3~50V.DC																					
Capacitance Tolerance	±20% (20°C, 120Hz)																					
Leakage Current(MAX)	I=0.01CV or 3 μA whichever is greater. (After 2 minutes application of rated voltage) I=Leakage Current(μ A) C=Rated Capacitance(μ F) V=Rated Voltage(V)																					
Dissipation Factor(MAX) (tan δ)	<table border="1"> <thead> <tr> <th>Rated Voltage (V)</th> <th>6.3</th> <th>10</th> <th>16</th> <th>25</th> <th>35</th> <th>50</th> </tr> </thead> <tbody> <tr> <td>tan δ</td> <td>0.28</td> <td>0.24</td> <td>0.20</td> <td>0.16</td> <td>0.13</td> <td>0.12</td> </tr> </tbody> </table> (20°C, 120Hz)	Rated Voltage (V)	6.3	10	16	25	35	50	tan δ	0.28	0.24	0.20	0.16	0.13	0.12							
Rated Voltage (V)	6.3	10	16	25	35	50																
tan δ	0.28	0.24	0.20	0.16	0.13	0.12																
Endurance	After applying rated voltage with rated ripple current for 1000 hrs at 105°C, the capacitors shall meet the following requirements. <table border="1"> <tbody> <tr> <td>Capacitance Change</td> <td>Within ±25% of the initial value.</td> </tr> <tr> <td>Dissipation Factor</td> <td>Not more than 200% of the specified value.</td> </tr> <tr> <td>Leakage Current</td> <td>Not more than the specified value.</td> </tr> </tbody> </table>	Capacitance Change	Within ±25% of the initial value.	Dissipation Factor	Not more than 200% of the specified value.	Leakage Current	Not more than the specified value.															
Capacitance Change	Within ±25% of the initial value.																					
Dissipation Factor	Not more than 200% of the specified value.																					
Leakage Current	Not more than the specified value.																					
Low Temperature Stability Impedance Ratio(MAX)	<table border="1"> <thead> <tr> <th>Rated Voltage (V)</th> <th>6.3</th> <th>10</th> <th>16</th> <th>25</th> <th>35</th> <th>50</th> </tr> </thead> <tbody> <tr> <td>Z(-25°C)/Z(20°C)</td> <td>3</td> <td>3</td> <td>2</td> <td>2</td> <td>2</td> <td>2</td> </tr> <tr> <td>Z(-40°C)/Z(20°C)</td> <td>8</td> <td>5</td> <td>4</td> <td>3</td> <td>3</td> <td>3</td> </tr> </tbody> </table> (120Hz)	Rated Voltage (V)	6.3	10	16	25	35	50	Z(-25°C)/Z(20°C)	3	3	2	2	2	2	Z(-40°C)/Z(20°C)	8	5	4	3	3	3
Rated Voltage (V)	6.3	10	16	25	35	50																
Z(-25°C)/Z(20°C)	3	3	2	2	2	2																
Z(-40°C)/Z(20°C)	8	5	4	3	3	3																

◆MULTIPLIER FOR RIPPLE CURRENT

Frequency coefficient

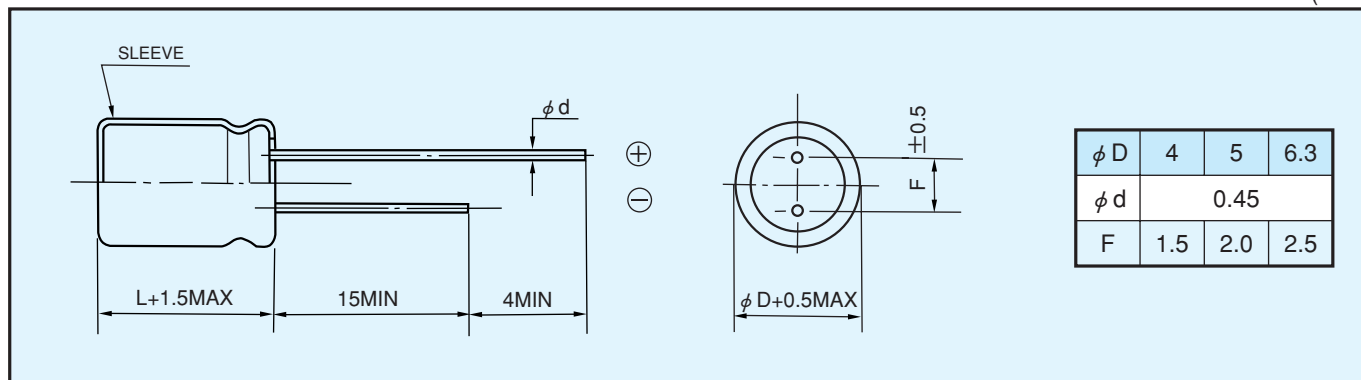
Frequency (Hz)		60(50)	120	500	1k	10k≤
Coefficient	0.1~1 μF	0.50	1.0	1.20	1.30	1.50
	2.2~4.7 μF	0.65	1.0	1.20	1.30	1.50
	10~47 μF	0.8	1.0	1.20	1.30	1.50
	100 μF	0.8	1.0	1.10	1.15	1.20

◆PART NUMBER

□□□	MH5	□□□□□	□	□□□	□□	D×L
Rated Voltage	Series	Rated Capacitance	Capacitance Tolerance	Option	Lead Forming	Case Size

◆ DIMENSIONS

(mm)



◆ STANDARD SIZE, RATED RIPPLE CURRENT

Size $\phi D \times L$ (mm), Ripple Current (mA r.m.s./105°C, 120Hz)

Cap (μF)	WV (V.DC)	6.3 (0J)		10 (1A)		16 (1C)		25 (1E)		35 (1V)		50 (1H)	
		Size	Ripple	Size	Ripple	Size	Ripple	Size	Ripple	Size	Ripple	Size	Ripple
0.1												4×5	1
0.22												4×5	2
0.33												4×5	3
0.47												4×5	4
1												4×5	8
2.2												4×5	13
3.3												4×5	14
4.7										4×5	17	5×5	18
10						4×5	20	5×5	22	5×5	24	6.3×5	28
22		4×5	23	5×5	28	5×5	31	6.3×5	44	6.3×5	48		
33		5×5	30	5×5	34	6.3×5	48	6.3×5	48				
47		5×5	37	6.3×5	52	6.3×5	56	6.3×5	56				
100		6.3×5	57	6.3×5	62	6.3×5	62						