

**PLEASE CHECK WWW.MOLEX.COM FOR LATEST PART INFORMATION**

**Part Number:** [0945509192](#)  
**Status:** **Active**  
**Overview:** [rast 5 connector system](#)  
**Description:** 5.00mm (.197") Pitch, Rast 5, PA Polyamide (Nylon) 6/6, UL 94V-2, 2 Circuits, Gray

**Documents:**

[Drawing \(PDF\)](#) [RoHS Certificate of Compliance \(PDF\)](#)

**Agency Certification**

UL E29179

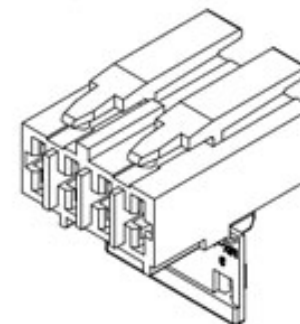
**General**

Product Family Crimp Housings  
 Series [94550](#)  
 Overview [rast 5 connector system](#)  
 Product Name RAST 5

**Physical**

Circuits (maximum) 2  
 Color - Resin Gray  
 Flammability 94V-0  
 Gender Female  
 Glow-Wire Compliant No  
 Lock to Mating Part Yes  
 Material - Resin Nylon  
 Number of Rows 1  
 Packaging Type Bag  
 Panel Mount No  
 Pitch - Mating Interface (in) 0.197 In  
 Pitch - Mating Interface (mm) 5.00 mm  
 Pitch - Term. Interface (in) 0.197 In  
 Pitch - Term. Interface (mm) 5.00 mm  
 Polarized to Mating Part Yes  
 Ports 1  
 Stackable No  
 Temperature Range - Operating -40°C to +85°C

**Material Info**



*image - Reference only*

*Series*

**EU RoHS**

**ELV and RoHS  
 Compliant  
 REACH SVHC  
 Not Reviewed  
 Halogen-Free  
 Status  
 Not Reviewed**

**China RoHS**



**Need more information on product  
 environmental compliance?**

Email [productcompliance@molex.com](mailto:productcompliance@molex.com)  
 For a multiple part number RoHS Certificate of  
 Compliance, [click here](#)

Please visit the [Contact Us](#) section for any  
 non-product compliance questions.

**Search Parts in this Series**

[94550Series](#)

**Mates With**

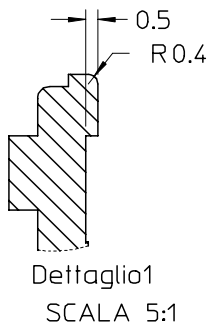
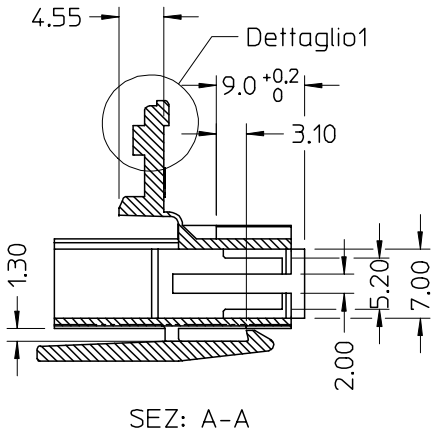
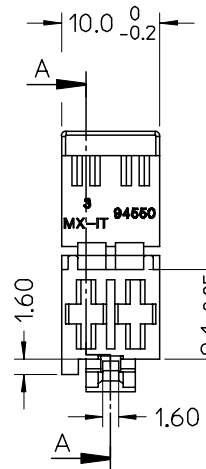
Rast 5 Headers, [90858](#) Vertical Header,  
[90879](#) Right Angle Header

**Use With**

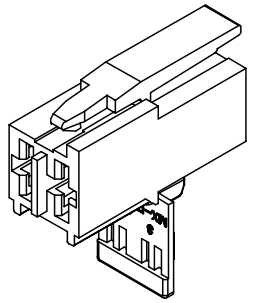
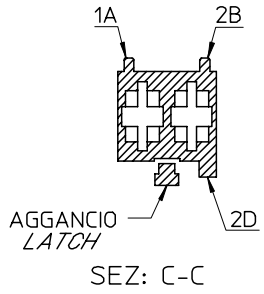
[94518](#) Crimp Terminal, [94549](#) Crimp  
 Terminal

**PLEASE CHECK WWW.MOLEX.COM FOR LATEST PART INFORMATION**

10 9 8 7 6 5 4 3 2 1

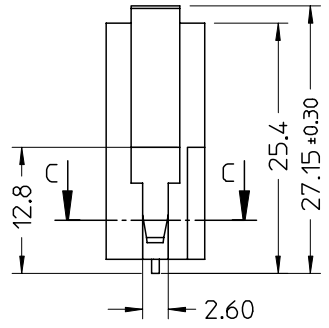
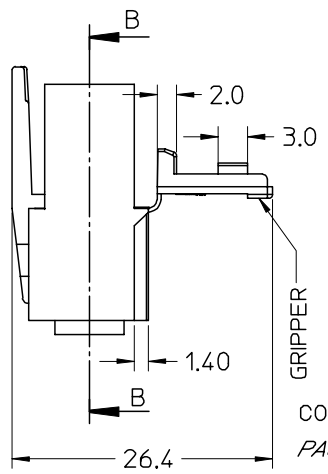
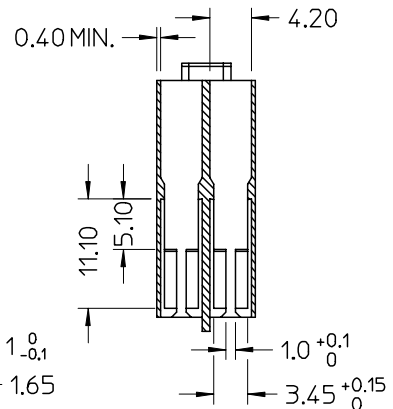
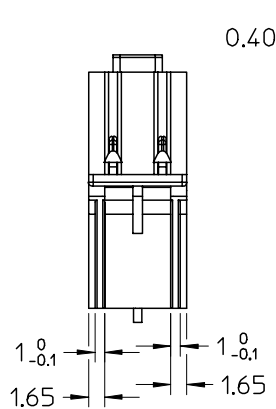


CONFIGURAZIONE POLARIZZAZIONI  
POLARIZATION CONFIGURATION



- NOTE:
- USATO CON TERMINALE 94518-0XXX
  - SPECIFICA DI RIFERIMENTO PER IL CONNETTORE PS-94550-001
  - PER CARATTERISTICHE DI CRIMPATURA RIF. SD-94518-005
  - FORZA DI DISACCOPIAMENTO CONNETTORE (TRAZIONANDO DAI CAVI SENZA AZIONARE L'AGGANCIO): 40 N MIN.
  - SPESSORE MINIMO PARETI CONNETTORE 0.40 mm.

- NOTE:
- USED WITH RECEPTACLE 94518-0XXX
  - REFER TO PS-94550-001 FOR CONNECTOR SPECIFICATION
  - REFER TO SD-94518-005 FOR CRIMPING CHARACTERISTICS
  - CONNECTOR DISENGAGEMENT FORCE (PULLING BY THE WIRES, WITHOUT ACTUATING THE LATCH): 40 N MIN.
  - MINIMUM CONNECTOR WALL THICKNESS 0.40 mm.



CONFEZIONE: Box da 3500 Pz.  
PACKAGING: 3500 pcs in carton box

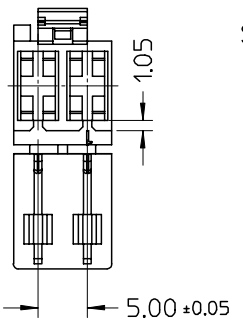
IL PRODOTTO E' APPROVATO UL: vedi file E-29179  
THE PRODUCT IS UL APPROVED: see file E-29179

SPQ = 3500

Std. Descr.: \*HSG W/SEC LOCK AND LATCH 2CKT \_\_\_\_\_ COLOR\*

P/N	MATERIAL/COLOR
94550-9102	NYLON 6.6 V0 NATURAL
94550-9192	NYLON 6.6 V0 GREY

SEZ: B-B



EC NO: Z2004-0108 DRWN:FGOTTARD2004/02/11 CHKD:RSANDAN0204/02/11 APPR:GZUIN 2004/02/12	QUALITY SYMBOLS	GENERAL TOLERANCES (UNLESS SPECIFIED)		SCALE 2:1	DESIGN UNITS METRIC	FIRST ANGLE PROJECTION REVISE ON CAD ONLY
	DESCRIPTION ▲ = 0 ∇ = 0	4 PLACES	± ---	± ---	DIMENSION STYLE MM ONLY	
		3 PLACES	± ---	± ---		
		2 PLACES	± 0.10	± ---		
1 PLACE	± 0.2	± ---				
		ANGULAR ± 2 °		DRAWN BY FGOTTARD 2002/06/27	DATE 2002/06/27	MOLEX INCORPORATED MATERIAL NO. SEE TABLE DOCUMENT NO. SD-94550-006 SHEET NO. 1 OF 1
	DRAFT WHERE APPLICABLE		CHECKED BY MTESTAGU 2002/06/27	DATE 2002/06/27		
	MUST REMAIN WITHIN DIMENSIONS		APPROVED BY GZUIN 2002/06/27	DATE 2002/06/27		
A1	REV			THIS DRAWING CONTAINS INFORMATION THAT IS PROPRIETARY TO MOLEX INCORPORATED AND SHOULD NOT BE USED WITHOUT WRITTEN PERMISSION		A3

9 8 7 6 5 4 3 2 1