



## 1 Overview

### 1.1 Features

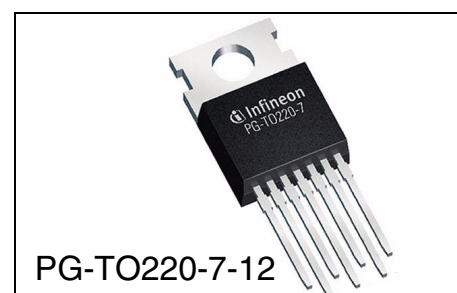
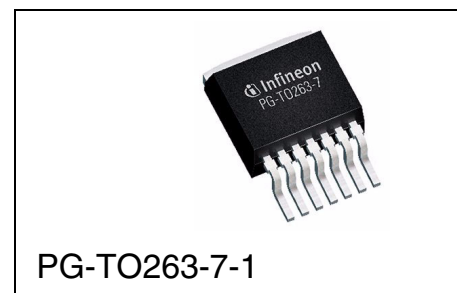
- Delivers up to 5 A continuous 6 A peak current
- Optimized for DC motor management applications
- Operates at supply voltages up to 40 V
- Very low  $R_{DS\ ON}$ ; typ. 200 m $\Omega$  @ 25 °C per switch
- Output full short circuit protected
- Overtemperature protection with hysteresis and diagnosis
- Short circuit and open load diagnosis with open drain error flag
- Undervoltage lockout
- CMOS/TTL compatible inputs with hysteresis
- No crossover current
- Internal freewheeling diodes
- Wide temperature range;  $-40\text{ }^{\circ}\text{C} < T_j < 150\text{ }^{\circ}\text{C}$
- Green Product (RoHS compliant)
- AEC Qualified

Type	Package
TLE 5205-2	PG-TO220-7-11
TLE 5205-2GP	PG-DSO-20-37
TLE 5205-2G	PG-TO263-7-1
TLE 5205-2S	PG-TO220-7-12

### Description

The TLE 5205-2 is an integrated power H-bridge with DMOS output stages for driving DC-Motors. The part is built using the Infineon multi-technology process SPT<sup>®</sup> which allows bipolar and CMOS control circuitry plus DMOS power devices to exist on the same monolithic structure.

Operation modes forward (cw), reverse (ccw), brake and high impedance are invoked from just two control pins with TTL/CMOS compatible levels. The combination of an extremely low  $R_{DS\ ON}$  and the use of a power IC package with low thermal resistance and high thermal capacity helps to minimize system power dissipation. A blocking capacitor at the supply voltage is the only external circuitry due to the integrated freewheeling diodes.



1.2 Pin Configuration (top view)

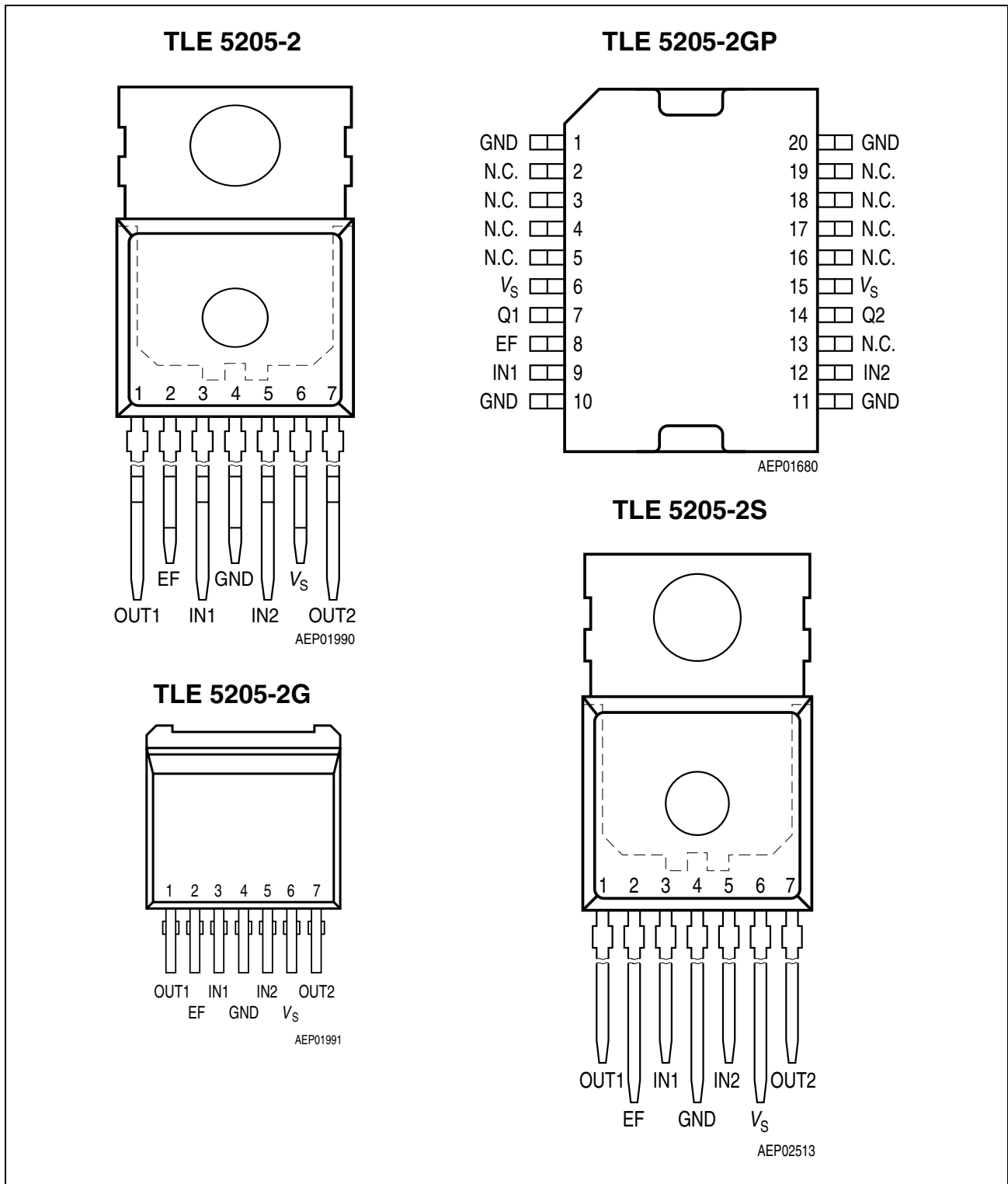


Figure 1 Pin Assignments

### 1.3 Pin Definitions and Functions

Pin No. P-TO220	Pin No. P-DSO	Symbol	Function
1	7	OUT1	<b>Output of Channel 1;</b> Short-circuit protected; integrated freewheeling diodes for inductive loads.
2	8	EF	<b>Error Flag;</b> TTL/CMOS compatible output for error detection; (open drain)
3	9	IN1	<b>Control Input 1;</b> TTL/CMOS compatible
4	1, 10, 11, 20	GND	<b>Ground;</b> internally connected to tab
5	12	IN2	<b>Control Input 2;</b> TTL/CMOS compatible
6	6, 15	$V_S$	<b>Supply Voltage;</b> block to GND
7	14	OUT2	<b>Output of Channel 2;</b> Short-circuit protected; integrated freewheeling diodes for inductive loads.
–	2, 3, 4, 5, 16, 17, 18, 19	N.C.	<b>Not Connected</b>

1.4 Functional Block Diagram

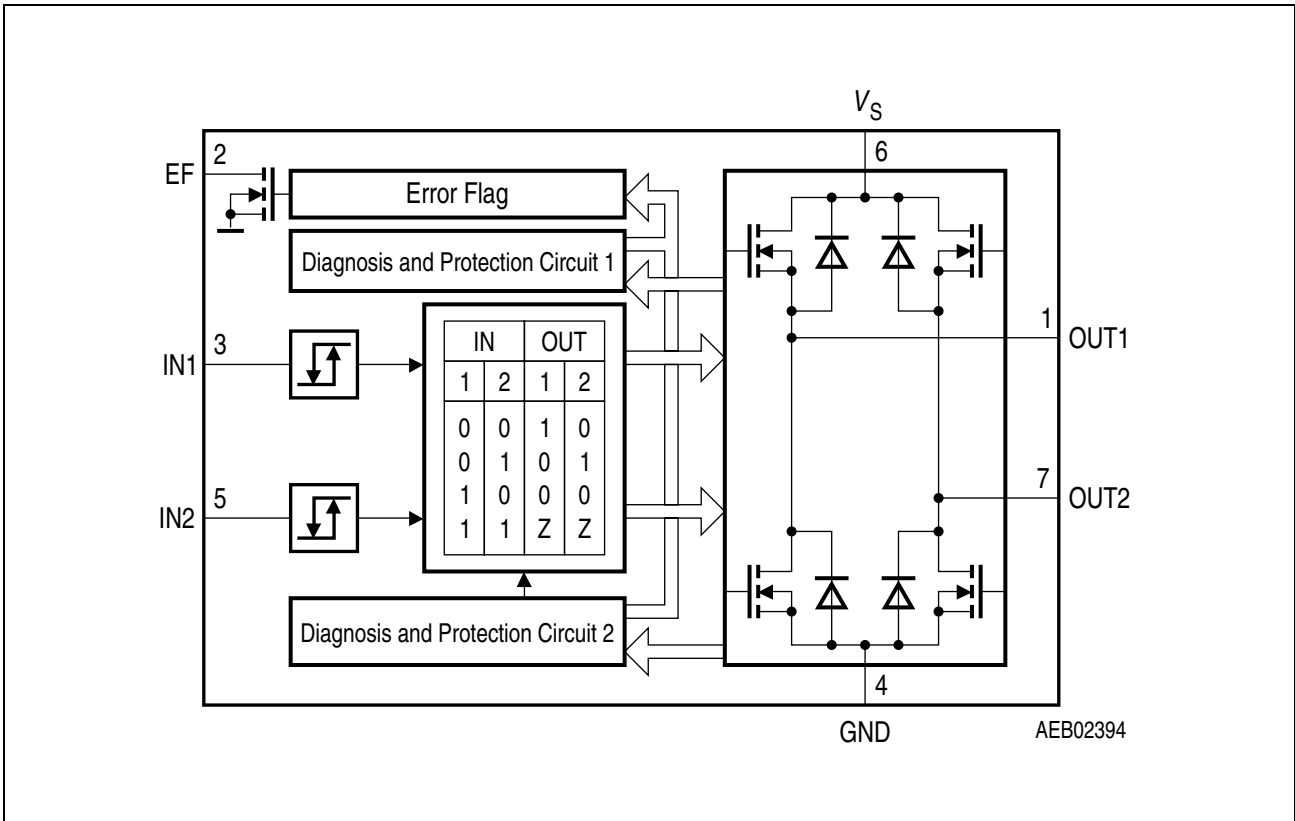


Figure 2 Block Diagram

## 1.5 Circuit Description

### Input Circuit

The control inputs consist of TTL/CMOS-compatible schmitt-triggers with hysteresis. Buffer amplifiers are driven by this stages.

### Output Stages

The output stages consist of a DMOS H-bridge. Integrated circuits protect the outputs against short-circuit to ground and to the supply voltage. Positive and negative voltage spikes, which occur when switching inductive loads, are limited by integrated freewheeling diodes.

A monitoring circuit for each output transistor detects whether the particular transistor is active and in this case prevents the corresponding source transistor (sink transistor) from conducting in sink operation (source operation). Therefore no crossover currents can occur.

## 1.6 Input Logic Truth Table

### Functional Truth Table

IN1	IN2	OUT1	OUT2	Comments
L	L	H	L	Motor turns clockwise
L	H	L	H	Motor turns counterclockwise
H	L	L	L	Brake; both low side transistors turned-ON
H	H	Z	Z	Open circuit detection

### Notes for Output Stage

Symbol	Value
L	Low side transistor is turned-ON High side transistor is turned-OFF
H	High side transistor is turned-ON Low side transistor is turned-OFF
Z	High side transistor is turned-OFF Low side transistor is turned-OFF

## 1.7 Monitoring Functions

Undervoltage lockout (UVLO):

When  $V_S$  reaches the switch on voltage  $V_{S\text{ ON}}$  the IC becomes active with a hysteresis. All output transistors are switched off if the supply voltage  $V_S$  drops below the switch off value  $V_{S\text{ OFF}}$ .

## 1.8 Protective Function

Various errors like short-circuit to +  $V_S$ , ground or across the load are detected. All faults result in turn-OFF of the output stages after a delay of 50  $\mu\text{s}$  and setting of the error flag EF to ground. Changing the inputs resets the error flag.

### a. Output Shorted to Ground Detection

If a high side transistor is switched on and its output is shorted to ground, the output current is internally limited. After a delay of 50  $\mu\text{s}$  all outputs will be switched-OFF and the error flag is set.

### b. Output Shorted to + $V_S$ Detection

If a low side transistor is switched on and its output is shorted to the supply voltage, the output current is internally limited. After a delay of 50  $\mu\text{s}$  all outputs will be switched-OFF and the error flag is set.

### c. Overload Detection

An internal circuit detects if the current through the low side transistor exceeds the trippoint  $I_{\text{SDL}}$ . In this case all outputs are turned off after 50  $\mu\text{s}$  and the error flag is set.

### d. Overtemperature Protection

At a junction temperature higher than 150 °C the thermal shutdown turns-OFF, all four output stages commonly and the error flag is set with a delay.

### e. Open Load Detection

The output Q1 has a 10 k $\Omega$  pull-up resistor and the output Q2 has a 10 k $\Omega$  pull-down resistor. If E1 and E2 are high, all output power stages are turned-OFF. In case of no load between Q1 and Q2 the output voltage Q1 is  $V_S$  and Q2 is ground. This state will be detected by two comparators and an error flag will be set after a delay time of 50  $\mu\text{s}$ . Changing the inputs resets the error flip flop.

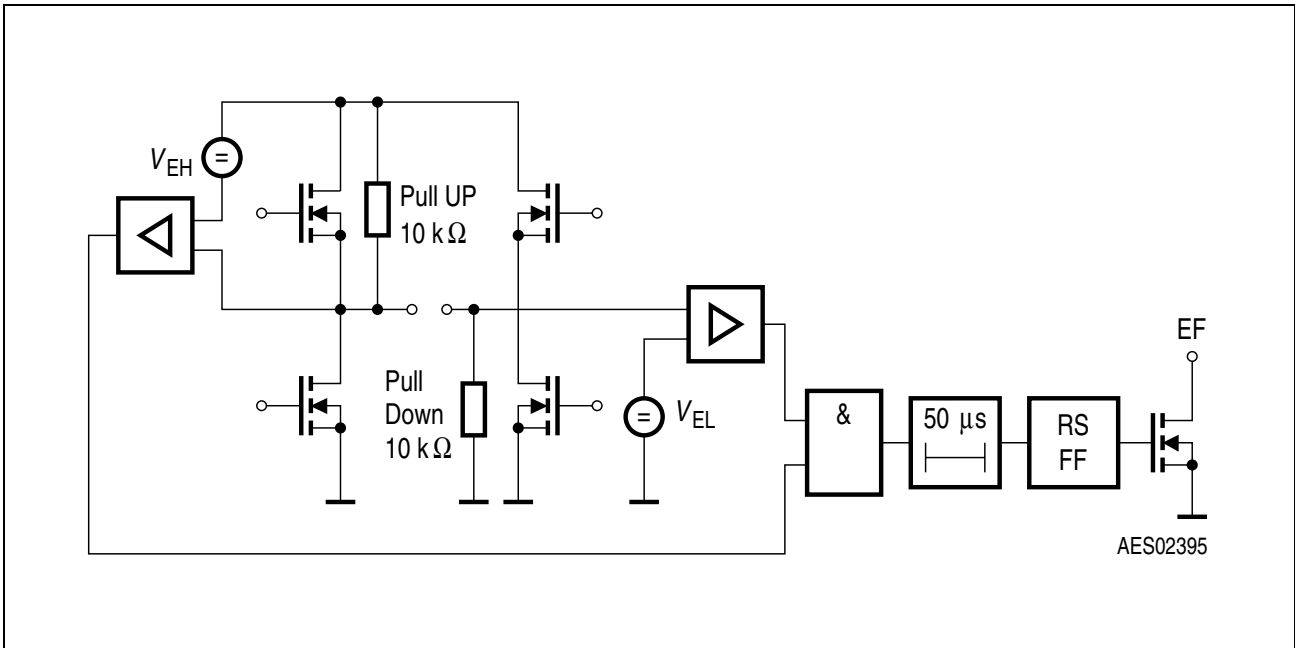


Figure 3 Simplified Schematic for Open Load Detection





**Electrical Characteristics**
**3 Electrical Characteristics**
**3.1 Absolute Maximum Ratings**

$$-40\text{ °C} < T_j < 150\text{ °C}$$

Parameter	Symbol	Limit Values		Unit	Remarks
		min.	max.		

**Voltages**

Supply voltage	$V_S$	- 0.3	40	V	-
		- 1	40	V	$t < 0.5\text{ s}; I_S > -5\text{ A}$
Logic input voltage	$V_{IN1,2}$	- 0.3	7	V	$0\text{ V} < V_S < 40\text{ V}$
Diagnostics output voltage	$V_{EF}$	- 0.3	7	V	-

**Currents of DMOS-Transistors and Freewheeling Diodes**

Output current (cont.)	$I_{OUT1,2}$	- 5	5	A	-
Output current (peak)	$I_{OUT1,2}$	- 6	6	A	$t_p < 100\text{ ms}; T = 1\text{ s}$
Output current (peak)	$I_{OUT1,2}$	-	-	A	$t_p < 50\text{ }\mu\text{s}; T = 1\text{ s};$ internally limited; see overcurrent

**Temperatures**

Junction temperature	$T_j$	- 40	150	°C	-
Storage temperature	$T_{stg}$	- 50	150	°C	-

**Thermal Resistances**

Junction case	$R_{thjC}$	-	3	K/W	P-TO220-7-11/12, P-TO263-7-1
Junction ambient	$R_{thjA}$	-	65	K/W	P-TO220-7-11/12
		-	75	K/W	P-TO263-7-1
Junction case	$R_{thjC}$	-	5	K/W	P-DSO-20-12
Junction ambient	$R_{thjA}$	-	50	K/W	P-DSO-20-12

*Note: Maximum ratings are absolute ratings; exceeding any one of these values may cause irreversible damage to the integrated circuit.*

**Electrical Characteristics**
**3.2 Operating Range**

Parameter	Symbol	Limit Values		Unit	Remarks
		min.	max.		
Supply voltage	$V_S$	$V_{UV\ ON}$	40	V	After $V_S$ rising above $V_{UV\ ON}$
Supply voltage increasing		- 0.3	$V_{UV\ ON}$	V	Outputs in tristate condition
Supply voltage decreasing		- 0.3	$V_{UV\ OFF}$	V	
Logic input voltage	$V_{IN1,2}$	- 0.3	7	V	-
Junction temperature	$T_j$	- 40	150	°C	-

**3.3 Electrical Characteristics**
 $6\text{ V} < V_S < 18\text{ V}$ ;  $IN1 = IN2 = \text{HIGH}$ 
 $I_{OUT1,2} = 0\text{ A}$  (No load);  $-40\text{ °C} < T_j < 150\text{ °C}$ ; unless otherwise specified

Parameter	Symbol	Limit Values			Unit	Test Condition
		min.	typ.	max.		

**Current Consumption**

Quiescent current	$I_S$	-	-	10	mA	$IN1 = IN2 = \text{LOW}$ ; $V_S = 13.2\text{ V}$
-------------------	-------	---	---	----	----	-----------------------------------------------------

**Under Voltage Lockout**

UV-Switch-ON voltage	$V_{UV\ ON}$	-	5.3	6	V	$V_S$ increasing
UV-Switch-OFF voltage	$V_{UV\ OFF}$	3.5	4.7	5.6	V	$V_S$ decreasing
UV-ON/OFF-Hysteresis	$V_{UV\ HY}$	0.2	0.6	-	V	$V_{UV\ ON} - V_{UV\ OFF}$

**Electrical Characteristics**
**3.3 Electrical Characteristics (cont'd)**
 $6\text{ V} < V_S < 18\text{ V}$ ; IN1 = IN2 = HIGH

 $I_{\text{OUT}1,2} = 0\text{ A}$  (No load);  $-40\text{ }^\circ\text{C} < T_j < 150\text{ }^\circ\text{C}$ ; unless otherwise specified

Parameter	Symbol	Limit Values			Unit	Test Condition
		min.	typ.	max.		

**Outputs OUT1, 2**
**Static Drain-Source-On Resistance**

Source $I_{\text{OUT}} = -3\text{ A}$	$R_{\text{DS ON H}}$	–	220	350	mΩ	$6\text{ V} < V_S < 18\text{ V}$ $T_j = 25\text{ }^\circ\text{C}$
			–	500	mΩ	$6\text{ V} < V_S < 18\text{ V}$
			350	500	mΩ	$V_{\text{S ON}} < V_S \leq 6\text{ V}$ $T_j = 25\text{ }^\circ\text{C}$
			–	800	mΩ	$V_{\text{S ON}} < V_S \leq 6\text{ V}$
Sink $I_{\text{OUT}} = 3\text{ A}$	$R_{\text{DS ON L}}$	–	230	350	mΩ	$6\text{ V} < V_S < 18\text{ V}$ $T_j = 25\text{ }^\circ\text{C}$
			–	500	mΩ	$6\text{ V} < V_S < 18\text{ V}$
			400	600	mΩ	$V_{\text{S ON}} < V_S \leq 6\text{ V}$ $T_j = 25\text{ }^\circ\text{C}$
			–	1000	mΩ	$V_{\text{S ON}} < V_S \leq 6\text{ V}$

Note: Values of  $R_{\text{DS ON}}$  for  $V_{\text{S ON}} < V_S \leq 6\text{ V}$  are guaranteed by design.

**Overcurrent**

Source shutdown trippoint	$-I_{\text{SDH}}$	–	–	10	A	$T_j = -40\text{ }^\circ\text{C}$
		–	8	–	A	$T_j = 25\text{ }^\circ\text{C}$
		6	–	–	A	$T_j = 150\text{ }^\circ\text{C}$
Sink shutdown trippoint	$I_{\text{SDL}}$	–	–	10	A	$T_j = -40\text{ }^\circ\text{C}$
		–	8	–	A	$T_j = 25\text{ }^\circ\text{C}$
		6	–	–	A	$T_j = 150\text{ }^\circ\text{C}$
Shutdown delay time	$t_{\text{dSD}}$	25	50	80	μs	–

**Electrical Characteristics**
**3.3 Electrical Characteristics (cont'd)**
 $6\text{ V} < V_S < 18\text{ V}; \text{IN1} = \text{IN2} = \text{HIGH}$ 
 $I_{\text{OUT1,2}} = 0\text{ A (No load)}; -40\text{ }^\circ\text{C} < T_j < 150\text{ }^\circ\text{C};$  unless otherwise specified

Parameter	Symbol	Limit Values			Unit	Test Condition
		min.	typ.	max.		

**Short Circuit Current Limitation**

Source current	$-I_{\text{SCH}}$	–	–	20	A	$t < t_{\text{dSD}}$
Sink current	$I_{\text{SCL}}$	–	–	15	A	$t < t_{\text{dSD}}$

**Open Circuit**

Pull up resistor	$R_{\text{UP}}$	5	10	20	k $\Omega$	–
Pull down resistor	$R_{\text{DOWN}}$	5	10	20	k $\Omega$	–
Switching threshold H	$V_{\text{EH}}$	2	2.5	3	V	–
Switching threshold L	$V_{\text{EL}}$	2	2.4	3	V	–
Detection delay time	$t_{\text{dSD}}$	25	50	80	$\mu\text{s}$	–

**Output Delay Times (Device Active for  $t > 1\text{ ms}$ )**

Source ON	$t_{\text{d ON H}}$	–	10	20	$\mu\text{s}$	$I_{\text{OUT}} = -3\text{ A}$ resistive load
Sink ON	$t_{\text{d ON L}}$	–	10	20	$\mu\text{s}$	$I_{\text{OUT}} = 3\text{ A}$ resistive load
Source OFF	$t_{\text{d OFF H}}$	–	2	5	$\mu\text{s}$	$I_{\text{OUT}} = -3\text{ A}$ resistive load
Sink OFF	$t_{\text{d OFF L}}$	–	2	5	$\mu\text{s}$	$I_{\text{OUT}} = 3\text{ A}$ resistive load

**Electrical Characteristics**
**3.3 Electrical Characteristics (cont'd)**
 $6\text{ V} < V_S < 18\text{ V}$ ; IN1 = IN2 = HIGH

 $I_{\text{OUT}1,2} = 0\text{ A}$  (No load);  $-40\text{ }^\circ\text{C} < T_j < 150\text{ }^\circ\text{C}$ ; unless otherwise specified

Parameter	Symbol	Limit Values			Unit	Test Condition
		min.	typ.	max.		

**Output Switching Times (Device Active for  $t > 1\text{ ms}$ )**

Source ON	$t_{\text{ON H}}$	–	15	30	$\mu\text{s}$	$I_{\text{OUT}} = -3\text{ A}$ resistive load
Sink ON	$t_{\text{ON L}}$	–	5	10	$\mu\text{s}$	$I_{\text{OUT}} = 3\text{ A}$ resistive load
Source OFF	$t_{\text{OFF H}}$	–	2	5	$\mu\text{s}$	$I_{\text{OUT}} = -3\text{ A}$ resistive load
Sink OFF	$t_{\text{OFF L}}$	–	2	5	$\mu\text{s}$	$I_{\text{OUT}} = 3\text{ A}$ resistive load

**Clamp Diodes**
**Forward Voltage**

High-side	$V_{\text{FH}}$	–	1	1.5	V	$I_F = 3\text{ A}$
Low-side	$V_{\text{FL}}$	–	1.1	1.5	V	$I_F = 3\text{ A}$

**Leakage Current**

Source	$I_{\text{LKH}}$	– 100	– 50	–	$\mu\text{A}$	OUT1 = $V_S$
Sink	$I_{\text{LKL}}$	–	50	100	$\mu\text{A}$	OUT2 = GND

**Logic**
**Control Inputs IN 1, 2**

H-input voltage threshold	$V_{\text{INH}}$	2.8	2.5	–	V	–
L-input voltage	$V_{\text{INL}}$	–	1.7	1.2	V	–
Hysteresis of input voltage	$V_{\text{INHY}}$	0.4	0.8	1.2	V	–
H-input current	$I_{\text{INH}}$	– 2	0	2	$\mu\text{A}$	$V_{\text{IN}} = 5\text{ V}$
L-input current	$I_{\text{INL}}$	– 10	– 4	0	$\mu\text{A}$	$V_{\text{IN}} = 0\text{ V}$

**Electrical Characteristics**

**3.3 Electrical Characteristics (cont'd)**

6 V <  $V_S$  < 18 V; IN1 = IN2 = HIGH

$I_{OUT1,2} = 0$  A (No load);  $-40\text{ }^\circ\text{C} < T_j < 150\text{ }^\circ\text{C}$ ; unless otherwise specified

Parameter	Symbol	Limit Values			Unit	Test Condition
		min.	typ.	max.		

**Error Flag Output EF**

Low output voltage	$V_{EFL}$	–	0.25	0.5	V	$I_{EF} = 3\text{ mA}$
Leakage current	$I_{EFL}$	–	–	10	$\mu\text{A}$	$V_{EF} = 7\text{ V}$

**Thermal Shutdown**

Thermal shutdown junction temperature	$T_{jSD}$	150	175	200	$^\circ\text{C}$	–
Thermal switch-on junction temperature	$T_{jSO}$	120	–	170	$^\circ\text{C}$	–
Temperature hysteresis	$\Delta T$	–	30	–	K	–
Shutdown delay time	$t_{dSD}$	25	50	80	$\mu\text{s}$	–

*Note: Values of thermal shutdown are guaranteed by design.*

Electrical Characteristics

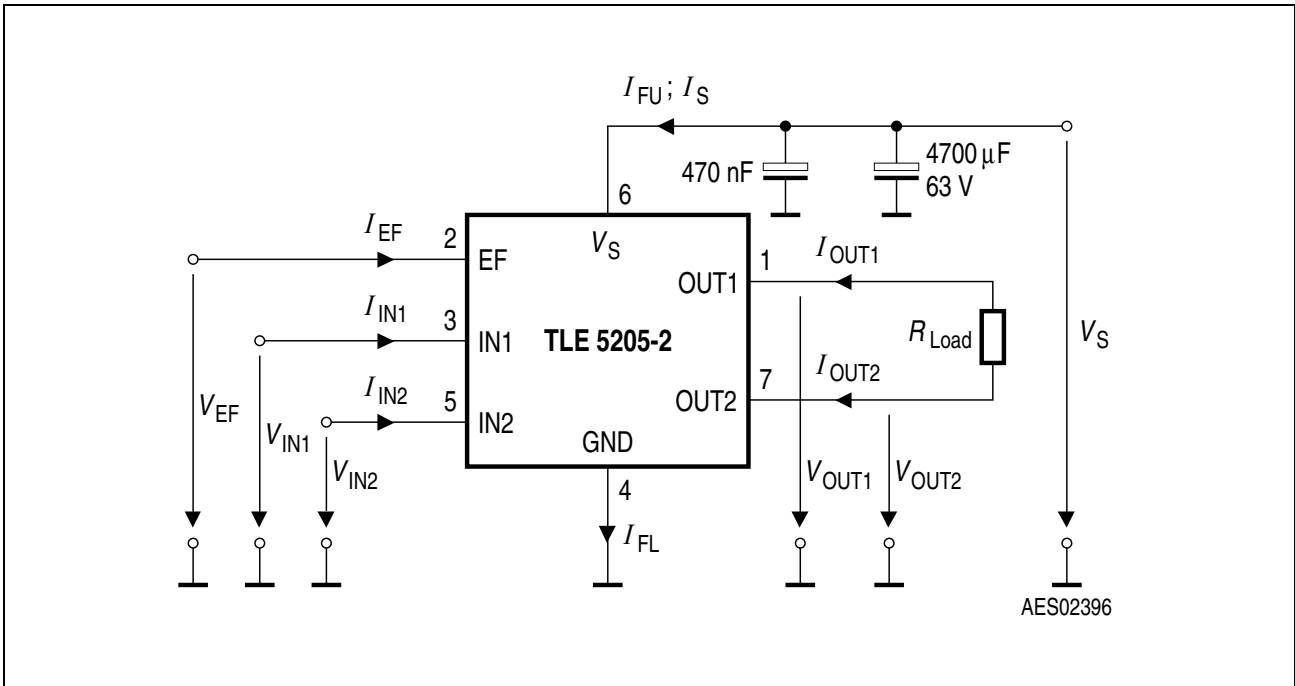


Figure 4 Test Circuit

	Overcurrent	Short Circuit	Open Circuit
$I_{OUT}$	$I_{SD}$	$I_{SC}$	$I_{OC}$

Electrical Characteristics

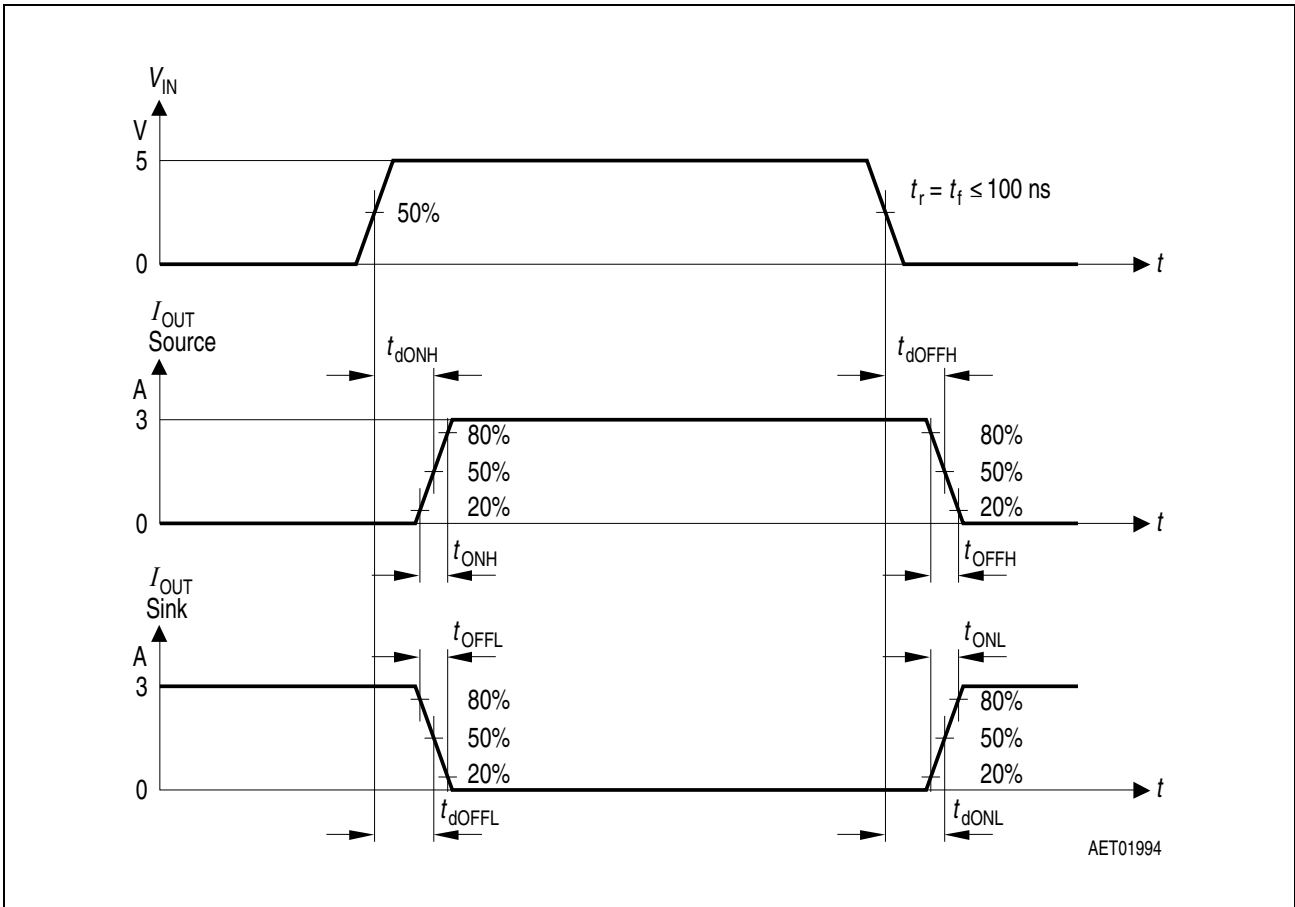


Figure 5 Switching Time Definitions

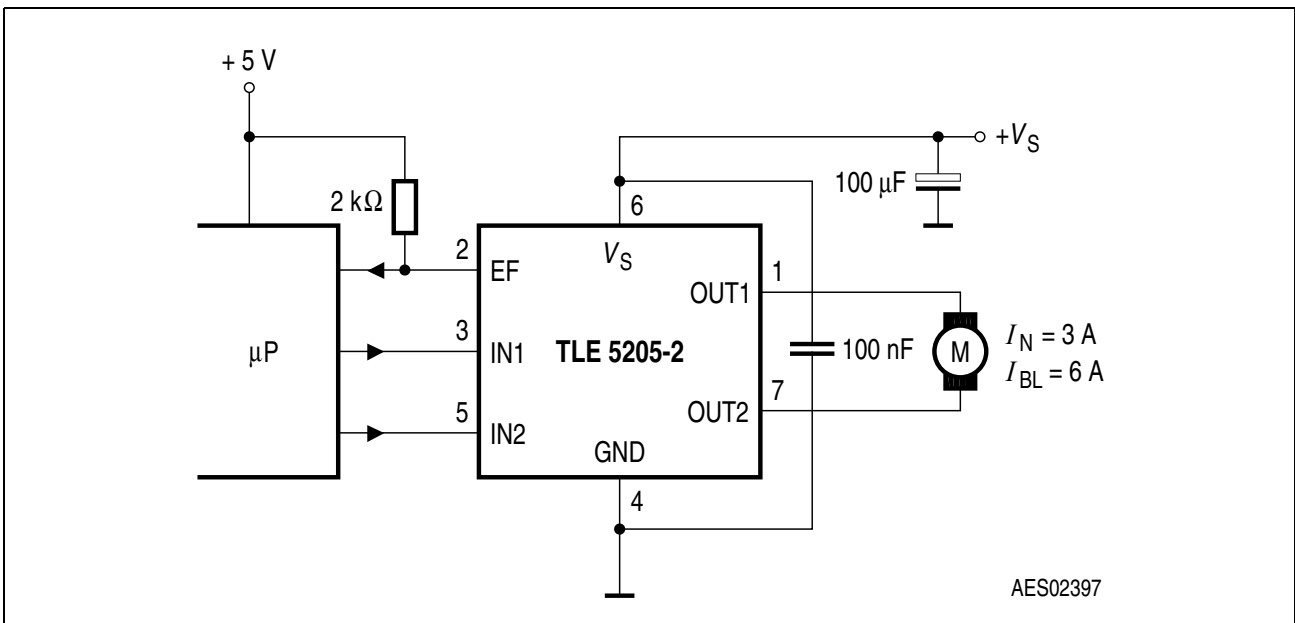


Figure 6 Application Circuit



Electrical Characteristics

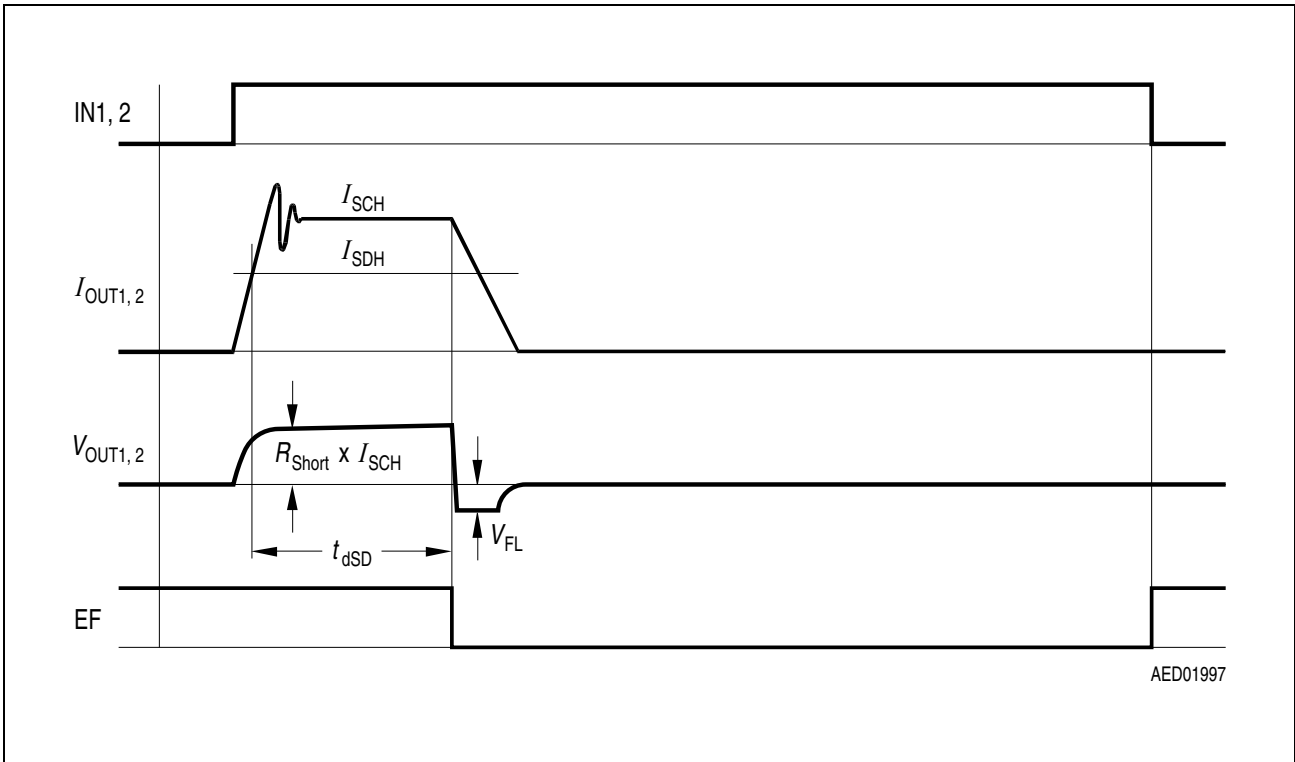


Figure 7 Timing Diagram for Output Shorted to Ground

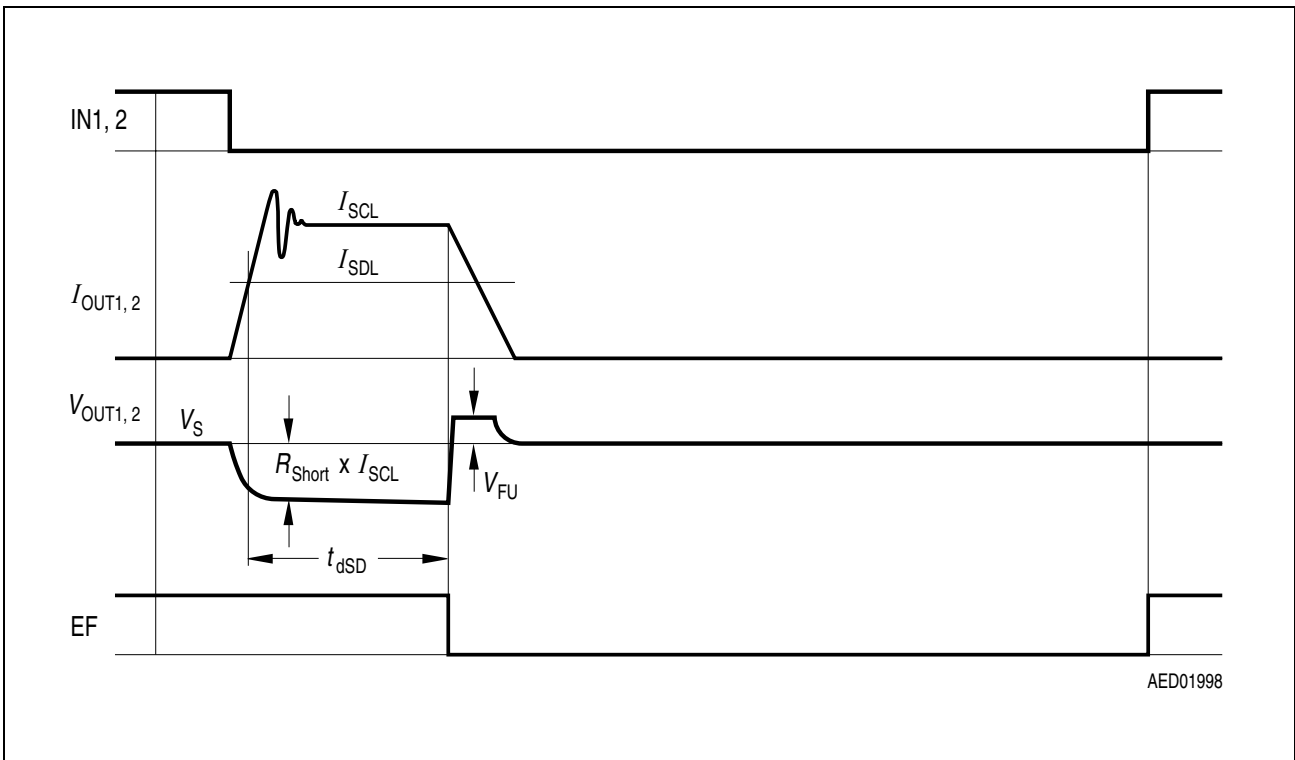
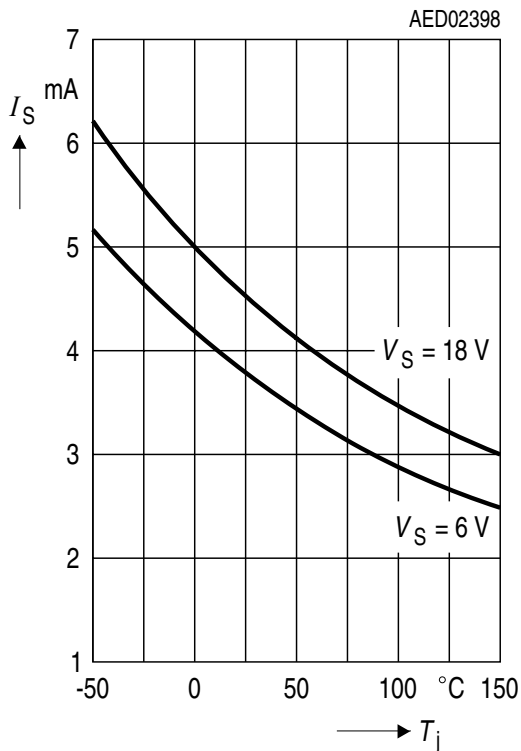


Figure 8 Timing Diagram for Output Shorted to  $V_S$

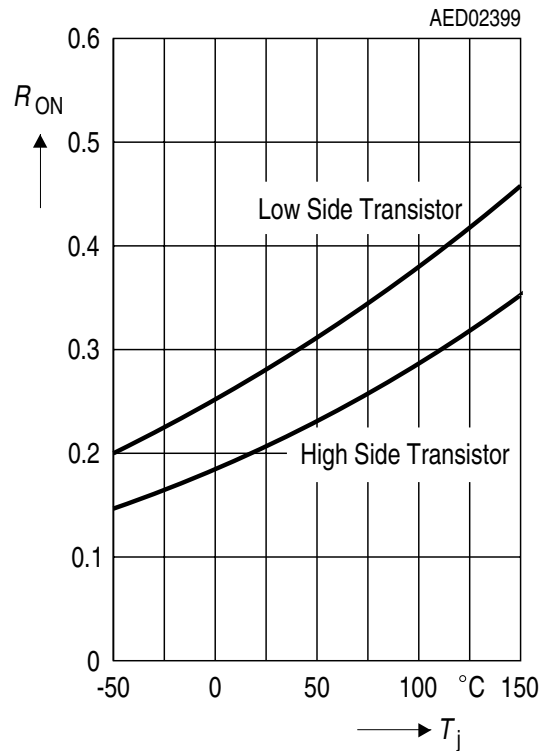
Electrical Characteristics

Diagrams

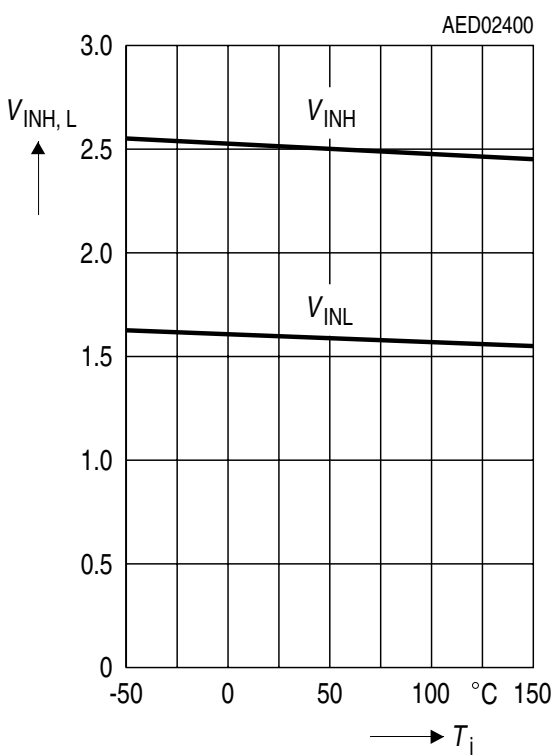
Quiescent Current  $I_S$  (Active) versus Junction Temperature  $T_j$



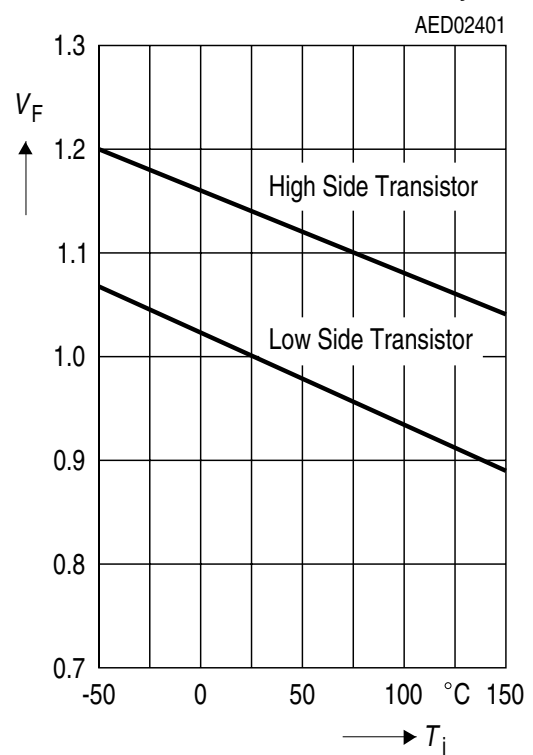
Static Drain-Source ON-Resistance versus Junction Temperature  $T_j$



Input Switching Thresholds  $V_{INH, L}$  versus Junction Temperature  $T_j$

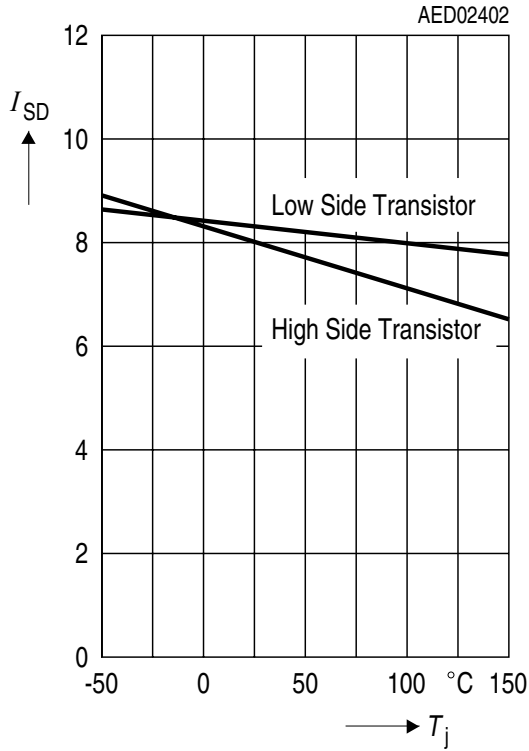


Clamp Diode Forward Voltage  $V_F$  versus Junction Temperature  $T_j$

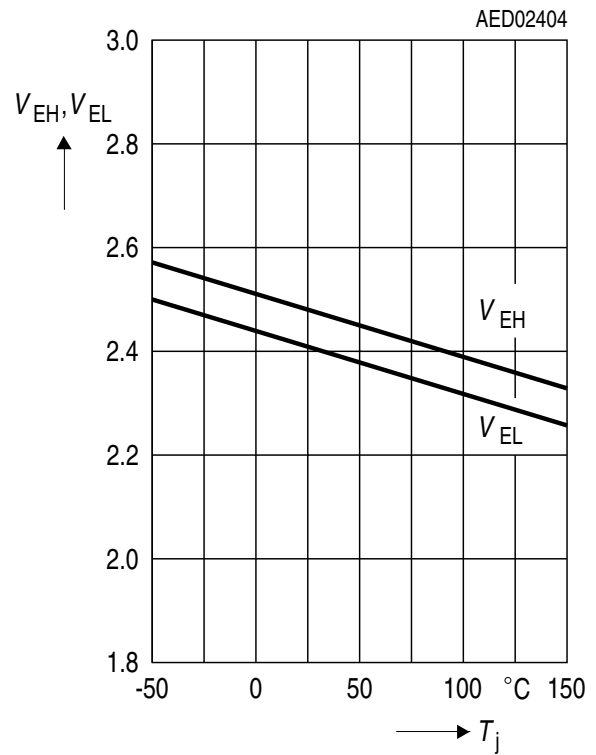


Electrical Characteristics

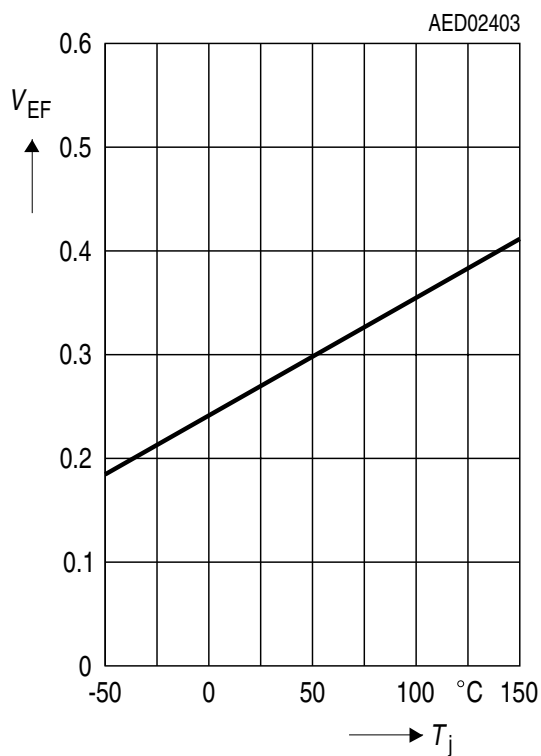
Overcurrent Shutdown Threshold  $I_{SD}$  versus Junction Temperature  $T_j$



Switching Threshold  $V_{EH}$ ,  $V_{EL}$  versus Junction Temperature  $T_j$

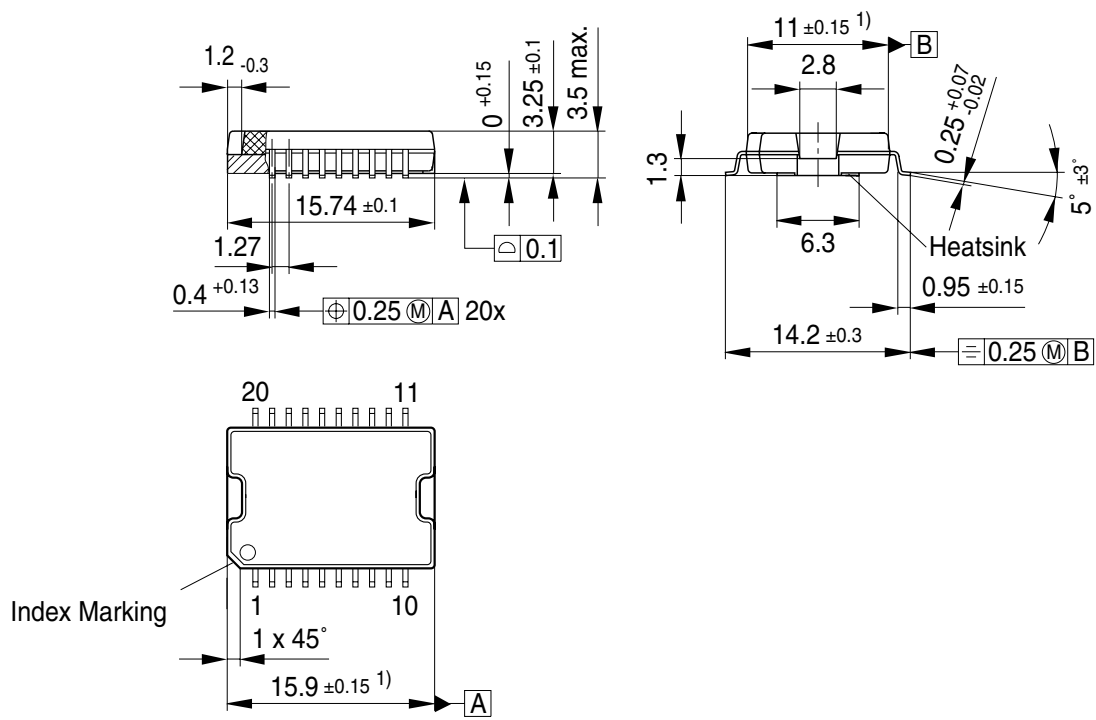


Error-Flag Saturation Output Voltage  $V_{EF}$  versus Junction Temperature  $T_j$





**PG-DSO-20-37**  
(Plastic Dual Small Outline Package)



1) Does not include plastic or metal protrusion of 0.15 max. per side

GPS05791

**Green Product (RoHS compliant)**

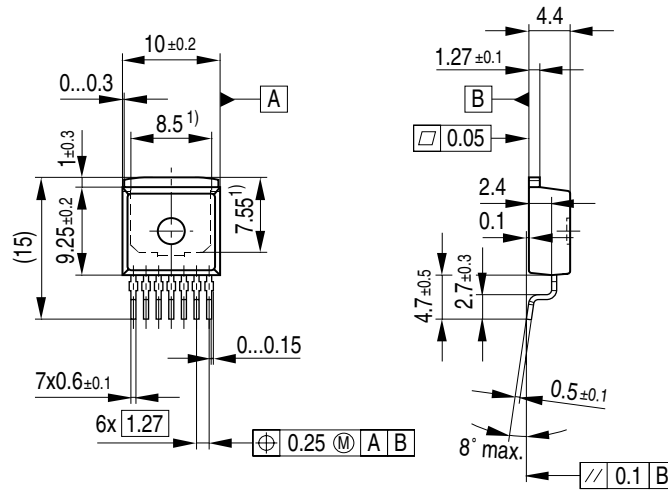
To meet the world-wide customer requirements for environmentally friendly products and to be compliant with government regulations the device is available as a green product. Green products are RoHS-Compliant (i.e Pb-free finish on leads and suitable for Pb-free soldering according to IPC/JEDEC J-STD-020).

You can find all of our packages, sorts of packing and others in our Infineon Internet Page "Products": <http://www.infineon.com/products>.

SMD = Surface Mounted Device

Dimensions in mm

**PG-TO263-7-1**  
(Plastic Transistor Single Outline Package)



<sup>1)</sup> Typical  
Metal surface min. X=7.25, Y=6.9  
All metal surfaces tin plated, except area of cut.

GPT09114

**Green Product (RoHS compliant)**

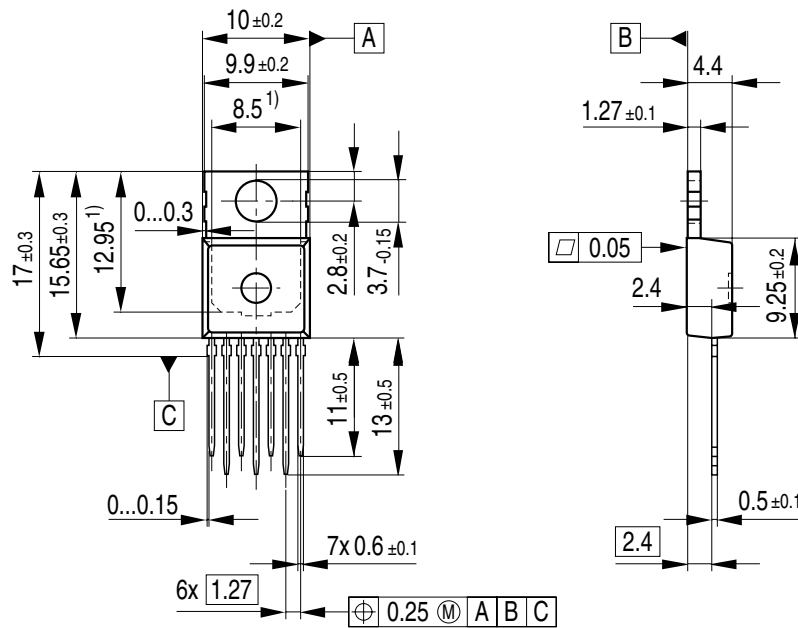
To meet the world-wide customer requirements for environmentally friendly products and to be compliant with government regulations the device is available as a green product. Green products are RoHS-Compliant (i.e Pb-free finish on leads and suitable for Pb-free soldering according to IPC/JEDEC J-STD-020).

You can find all of our packages, sorts of packing and others in our Infineon Internet Page "Products": <http://www.infineon.com/products>.

SMD = Surface Mounted Device

Dimensions in mm

**PG-TO220-7-12**  
(Plastic Transistor Single Outline Package)



1) Typical  
Metal surface min. X=7.25, Y=12.3  
All metal surfaces tin plated, except area of cut.

**Green Product (RoHS compliant)**

To meet the world-wide customer requirements for environmentally friendly products and to be compliant with government regulations the device is available as a green product. Green products are RoHS-Compliant (i.e Pb-free finish on leads and suitable for Pb-free soldering according to IPC/JEDEC J-STD-020).

You can find all of our packages, sorts of packing and others in our Infineon Internet Page "Products": <http://www.infineon.com/products>.

SMD = Surface Mounted Device

Dimensions in mm

## 5 Revision History

Version	Date	Changes
Rev. 1.1	2007-07-31	<p>RoHS-compliant version of the TLE 5205-2</p> <ul style="list-style-type: none"><li>• All pages: Infineon logo updated</li><li>• Page 1: “AEC qualified” and “RoHS” logo added, “Green Product (RoHS compliant)” and “AEC qualified” statement added to feature list, package names changed to RoHS compliant versions, package pictures updated, ordering codes removed</li><li>• Page 20-23: Package names changed to RoHS compliant versions, “Green Product” description added</li><li>• Revision History added</li><li>• Legal Disclaimer added</li></ul>



**Edition 2007-07-31**

**Published by  
Infineon Technologies AG  
81726 Munich, Germany**

**© 8/1/07 Infineon Technologies AG  
All Rights Reserved.**

### **Legal Disclaimer**

The information given in this document shall in no event be regarded as a guarantee of conditions or characteristics. With respect to any examples or hints given herein, any typical values stated herein and/or any information regarding the application of the device, Infineon Technologies hereby disclaims any and all warranties and liabilities of any kind, including without limitation, warranties of non-infringement of intellectual property rights of any third party.

### **Information**

For further information on technology, delivery terms and conditions and prices, please contact the nearest Infineon Technologies Office ([www.infineon.com](http://www.infineon.com)).

### **Warnings**

Due to technical requirements, components may contain dangerous substances. For information on the types in question, please contact the nearest Infineon Technologies Office.

Infineon Technologies components may be used in life-support devices or systems only with the express written approval of Infineon Technologies, if a failure of such components can reasonably be expected to cause the failure of that life-support device or system or to affect the safety or effectiveness of that device or system. Life support devices or systems are intended to be implanted in the human body or to support and/or maintain and sustain and/or protect human life. If they fail, it is reasonable to assume that the health of the user or other persons may be endangered.