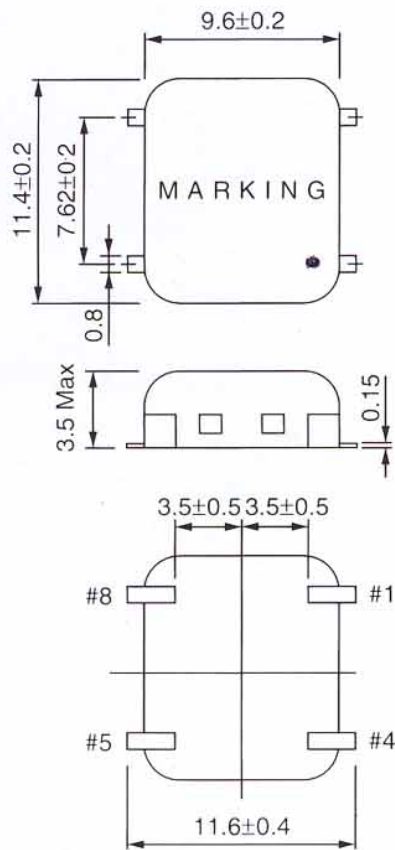


Supply voltage	+3V±5%		
Current drain	2mA Max		
Output level	0.8Vp-p Min (Load:10kΩ // 10pF)		
Stability vs Temperature	±2.5ppm Max / -30°C to +75°C (referred to +25°C)		
Stability vs Supply voltage	±0.3ppm Max / +3V±5%		
Stability vs Load	±0.2ppm Max / (10kΩ±1kΩ//10pF±1pF)		
Aging	±1ppm Max / year		
Frequency tolerance	±0.5ppm Max	±2.5ppm Max	±0.5ppm Max
Frequency control range	Nothing	±5.0ppm Min / +1.5V±1.0V	

Note : TCO-982, 983 Type (without trimmer capacitors)

Outline Drawing [mm]

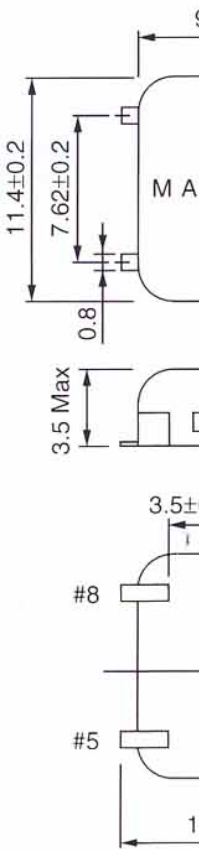
[TCO-980, 982, 986]



Pin connections

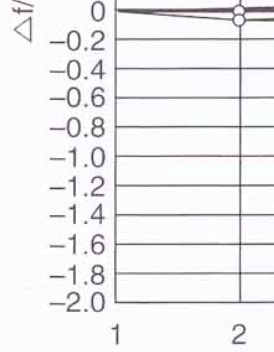
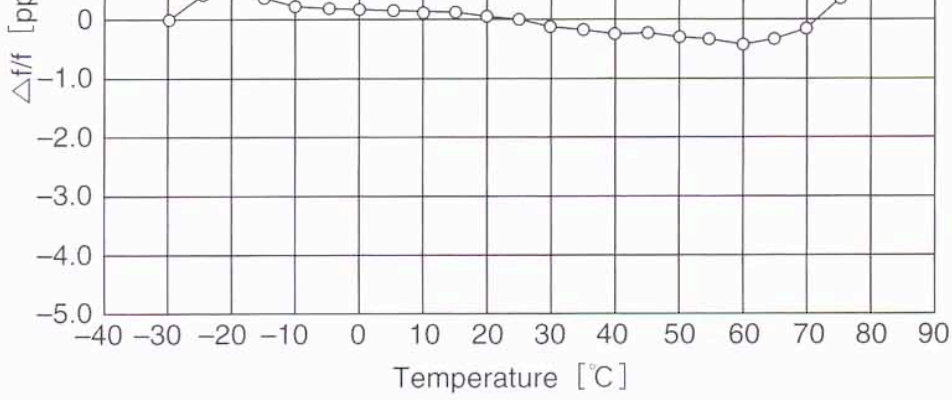
1	Output
4	Vcc
5	Vcont or NC
8	GND

[TCO-98

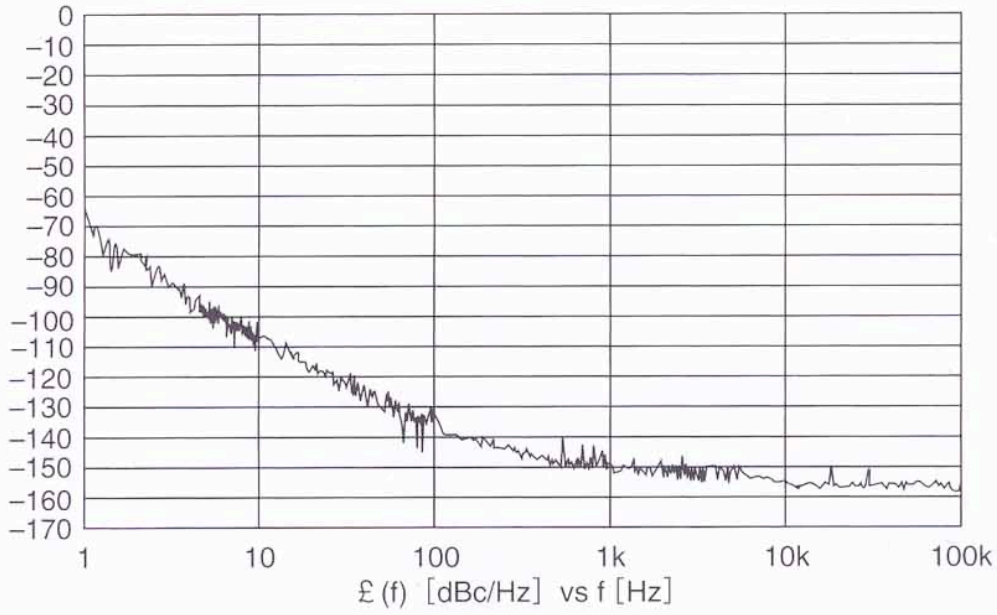


Pin connection

1	
2, 5, 8	
5	
8	

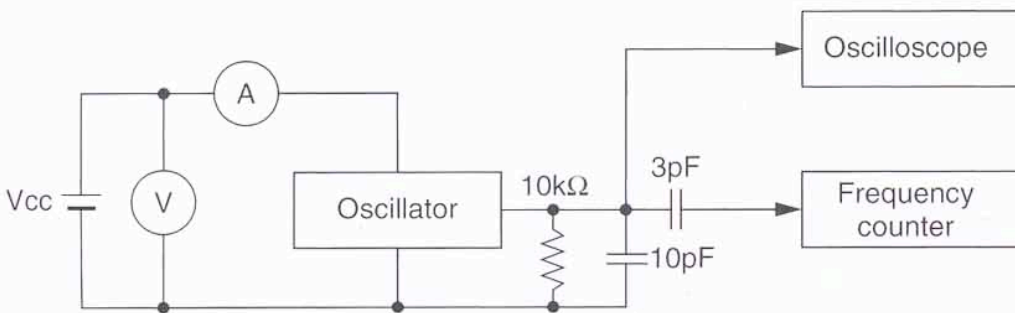


TCO-987 12.8MHz SSB phase noise



Test Circuit

TCO-980/981



TCO-986/987

