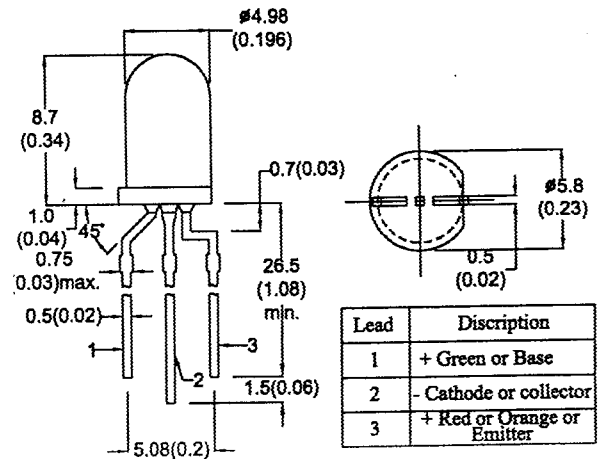


DESCRIPTION

An orange and green lamp made of GaAsP, GaP offering a changing color characteristics dependent on the direction the lamp is biased. These two light emitting diodes are mounted in a 5mm diameter dual color, white diffused lens.



- All dimension in mm(inch)
- No Scale
- Tol. : +/-0.3mm

ABSOLUTE MAXIMUM RATINGS

Power Dissipation @ Ta=25°C
 Forward Current, DC (IF)
 Reverse Voltage
 Operating & Storage Temperature Range
 Lead Soldering Temperature (1/16" from body)

ORANGE

100mW
 30mA
 5V

GREEN

100mW
 30mA
 5V

-55 to +100°C
 260°C for 5 sec.

ELECTRO-OPTICAL CHARACTERISTICS (Ta=25°C)

PARAMETER	SYMBOL	ORANGE	GREEN	UNIT	CONDITIONS
Forward Voltage	MAX V _F	3.0	3.0	V	I _F =20mA
Reverse Breakdown Voltage	MIN B _{VR}	5	5	V	I _R =100μA
Luminous Intensity	MIN I _v	15	15	mcd	I _F =20mA
	TYP	25	30	mcd	I _F =20mA
Peak Wavelength	TYP λ _p	630	570	nm	I _F =20mA
Spectral Line Half Width	TYP Δλ	40	30	nm	I _F =20mA



MICRO ELECTRONICS LTD.

38, Hung To Road, Microtron Building, Kwun Tong, Kowloon, Hong Kong.
 Kwun Tong P.O. Box 69477 Hong Kong. Fax No. 2341 0321 Telex:43510 Micro Hx. Tel: 2343 0181-5