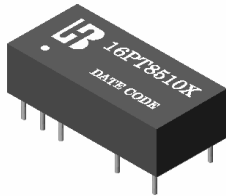


10/100 BASE-T TRANSFORMER

P/N:16PT8510X DATA SHEET

Feature

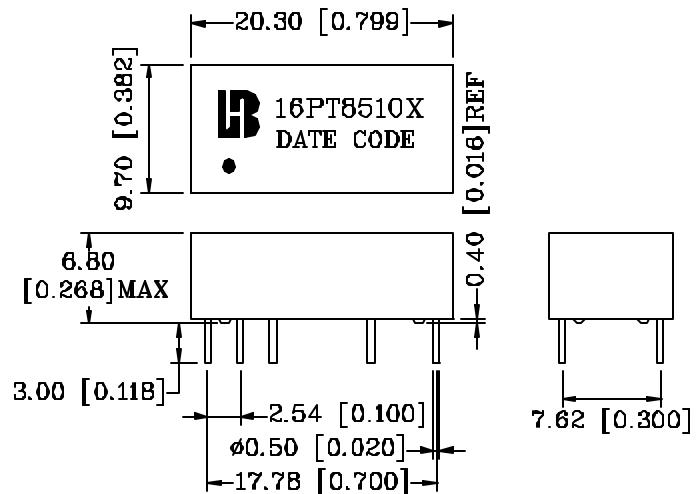
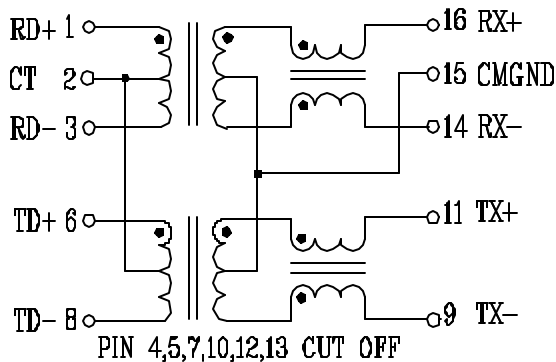


- Designed for 10/100 MB/s transmission over UTP-5 cable.
- Cable interface for isolation and low common mode Emissions.
- Tested & qualified for use with national semiconductor's DP83840 Ethernet 10/100 PHY chip.
- 16-PIN DIP package for economic cost.
- Storage temperature range: -25°C to +125°C.
- Operating Temperature range: 0°C to +70°C.

Electrical Specifications @ 25°C										
Part Number	Turns Ratio (±5%)		OCL (uH Min) @ 100KHz/0.1Vrms with 8mA/DC Bias				Rise Time (10-90%) nS TYP		Voltage Isolation (Vrms)	
	TX	RX								
16PT8510X	1CT:1CT	1CT:1CT	350				2.5		1500	
Continue										
Part Number	Insertion Loss (dB Max)		Return Loss (dB Min)				Cross talk (dB Min)		Differential to Common Mode Rejection TX/RX(dB Min)	
	0.3-100 MHz	30MHz	40MHz	50MHz	60MHz	80MHz	0.3-60MHz	60-100MHz	0.3-60MHz	60-100MHz
16PT8510X	-1.15	-16	-14	-13.5	-13	-12	-40	-38	-45/-40	-40/-35

Schematic

Mechanical



Units: mm [Inches] Tolerances: xx.x0±0.25 [0.010]
0.xx±0.05 [0.002]