

PLEASE CHECK WWW.MOLEX.COM FOR LATEST PART INFORMATION

Part Number: [0193190001](#)
Status: **Active**
Overview: [versakrimp terminals and splices](#)
Description: Butt Splices VersaKrimp™ 250-350MCM

Documents:

[Drawing \(PDF\)](#) [RoHS Certificate of Compliance \(PDF\)](#)

General

Product Family	Splices
Series	19319
Crimp Quality Equipment	Yes
Mil-Spec	N/A
Overview	versakrimp terminals and splices
Product Name	VersaKrimp™

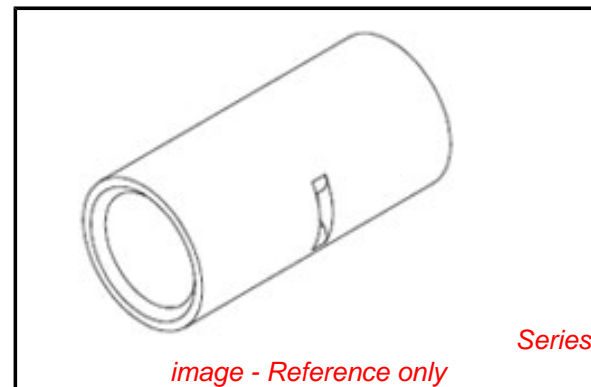
Physical

Barrel Type	Open
Insulation	None
Material - Metal	Copper
Material - Plating Mating	Nickel
Packaging Type	Bag
Wire Size AWG	250MCM, 300MCM

Material Info

Reference - Drawing Numbers

Sales Drawing	SD-19319-001
---------------	--------------



EU RoHS

**ELV and RoHS
Compliant**
**REACH SVHC
Not Reviewed**
**Halogen-Free
Status
Not Reviewed**

China RoHS

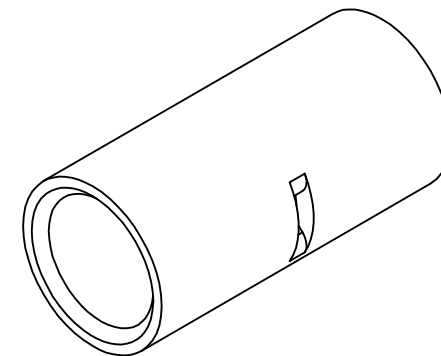
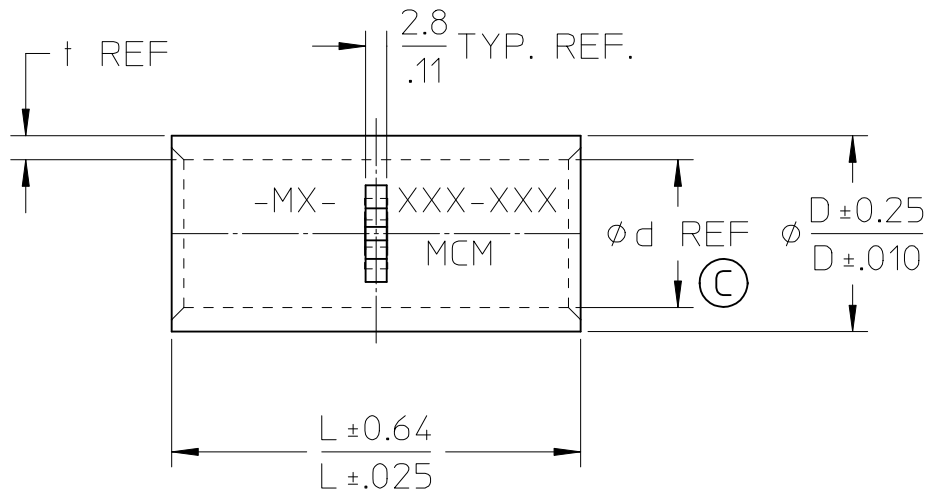
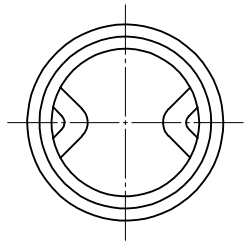


**Need more information on product
environmental compliance?**

Email productcompliance@molex.com
 For a multiple part number RoHS Certificate of Compliance, [click here](#)

Please visit the [Contact Us](#) section for any non-product compliance questions.

Search Parts in this Series
[19319Series](#)



MATERIAL NO.	WIRE RANGE		L	Dφ	dφ	t
	MCM	mm ²				
193190004	500-600	242.3 - 325	72.0 2.83	37.0 1.46	28.0 1.10	4.5 0.18
193190003	350-450	192.6 - 242.3	63.0 2.48	32.0 1.26	24.0 0.94	4.0 0.16
193190002	300-350	152 - 192.6	57.0 2.24	28.0 1.10	21.0 0.83	3.5 0.14
193190001	250-300	117.2 - 152	54.0 2.13	25.9 1.02	19.5 0.77	3.2 0.13

NOTES:

- MATERIAL:
TIN PLATED COPPER
- TERMINALS MARKED
AS SHOWN W/
CORRESPONDING WIRE
SIZE

ENTER DESCRIPTION EC NO: WNAZ009-0806 DRWN: MOELLER 2009/06/05 CHKD: 2009/06/08 APPR: RDEROSS 2009/06/08 REV DESCRIPTION	QUALITY SYMBOLS	GENERAL TOLERANCES (UNLESS SPECIFIED)	DIMENSION STYLE	SCALE	DESIGN UNITS	THIRD ANGLE PROJECTION
	▼ = 0 ▽ = 0	mm INCH 4 PLACES ± --- ± --- 3 PLACES ± --- ± --- 2 PLACES ± --- ± --- 1 PLACE ± --- ± --- ANGULAR ±1/2°	MM/IN	1:1	METRIC	☉ ◻ BRAZED SEAM BUTT CONNECTORS (250-600 MCM)
		DRAFT WHERE APPLICABLE MUST REMAIN WITHIN DIMENSIONS	DRAWN BY DATE T. MOELLER 2009/02/04 CHECKED BY DATE T. MOELLER 2009/02/04 APPROVED BY DATE R. DEROSS 2009/02/04 MATERIAL NO.			MOLEX INCORPORATED DOCUMENT NO. SD-19319-001
			SEE CHART			SHEET NO. 1 OF 1
				SIZE A	THIS DRAWING CONTAINS INFORMATION THAT IS PROPRIETARY TO MOLEX INCORPORATED AND SHOULD NOT BE USED WITHOUT WRITTEN PERMISSION	