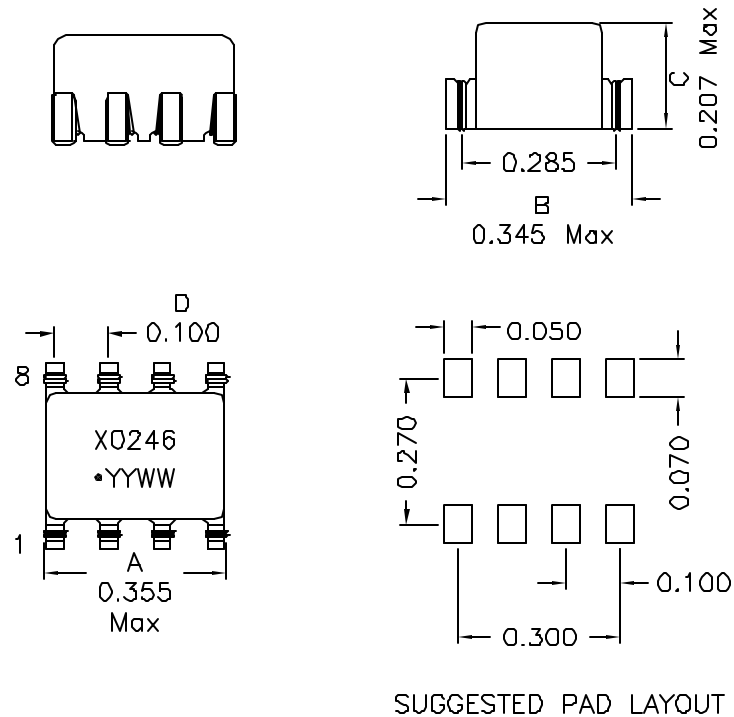


1. Mechanical Dimensions:

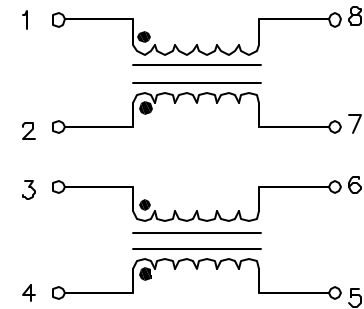


Notes:

1. Solderability: Leads shall meet MIL-STD-202G, Method 208H for solderability.
2. Flammability: ULB4V-0
3. ASTM oxygen index: > 28%
4. Insulation System: Class F 155°C. UL file E151556
5. Operating Temperature Range: All listed parameters are to be within tolerance from -40°C to +85°C
6. Storage Temperature Range: -55°C to +125°C
7. Aqueous wash compatible
8. SMD Lead Coplanarity: $\pm 0.004^*$ (0.102mm)
9. Electrical and mechanical specifications 100% tested
10. RoHS Compliant Component

DOC. REV: A/8

2. Schematic:



3. Electrical Specifications:

OCL: 24 μ H Min @100KHz, 0.1V Each Wdg.

Q: 5 Min @10KHz 50mV

DCR: 0.250 Ohms Max Each Wdg.

C.M. ATTENUATION: 8dB Typ @100KHz

21dB Typ @1MHz

32dB Typ @10MHz

36dB Typ @30MHz

37dB Typ @50MHz

36dB Typ @100MHz

30dB Typ @300MHz

20dB Typ @500MHz

PROPRIETARY Document is the property of XFMRS Group & is not allowed to be duplicated without authorization.

XFMRS Inc. www.XFMRS.com		Title: COMMON MODE CHOKE	
UNLESS OTHERWISE SPECIFIED TOLERANCES: .xxx ± 0.010 Dimensions in INCH	P/N: XF0246-CMC10		REV. A
	DWN.	Feng	Jan-09-12
	CHK.	YK Liao	Jan-09-12
SHEET 1 OF 1	APP.	Joe Huff	Jan-09-12