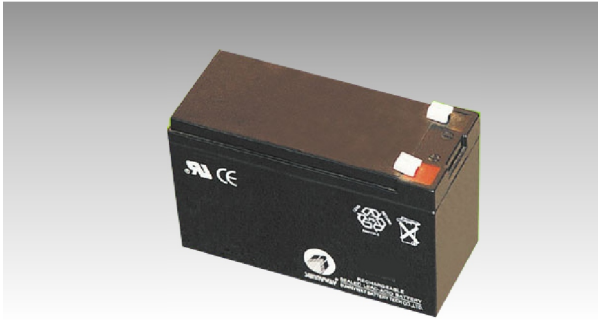
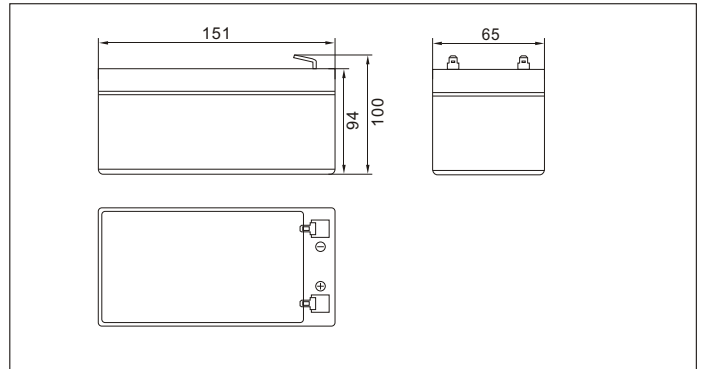




SW1270E(12V7.0AH)



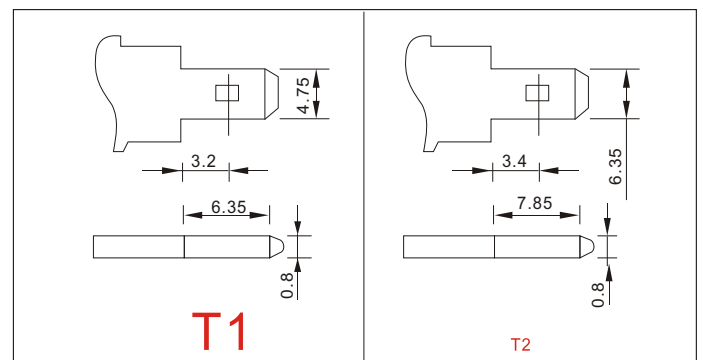
Outer dimensions (mm)



Specifications

Nominal Voltage	12V	
Rated capacity (20 hour rate)	7.0Ah	
Dimensions	Total Height	100mm (3.94 inches)
	Height	94mm (3.70 inches)
	Length	151mm (5.94 inches)
	Width	65mm (2.56 inches)
Weight Approx	2.35Kg (5.19lbs)	

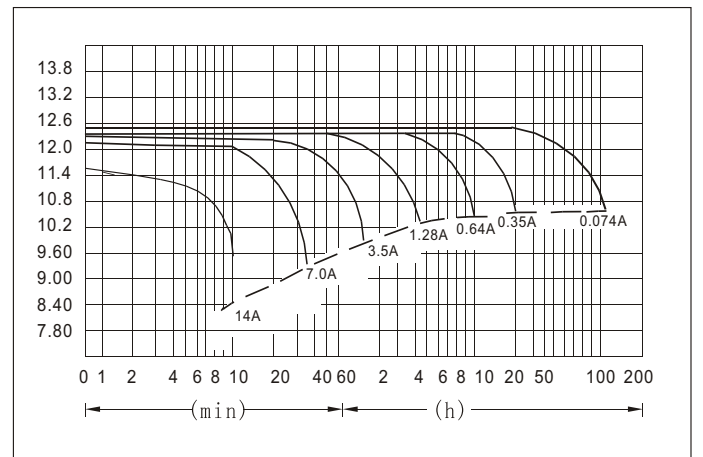
Terminal Type (mm)



Characteristics

Capacity 25°C(77°F)	20 hour rate(0.35 A)	7.00 AH
	10 hour rate(0.64 A)	6.40 AH
	5 hour rate(1.12 A)	5.60AH
	1 hour rate(3.85 A)	3.85 AH
Internal Resistance	Full charged Battery at 25°C(77°F)	22 mΩ
Capacity affected by Temperature (20hour rate)	40°C(104°F)	102%
	25°C(77°F)	100%
	0°C(32°F)	85%
	-15°C(5°F)	65%
Self-Discharge at 25°C(77°F)	Capacity after 3 month storage	91%
	Capacity after 6 month storage	82%
	Capacity after 12 month storage	64%
Terminal	T1、T2	
Charge (constant Voltage)	Cycle	Initial Charging Current less than 1.75A Voltage 14.40-14.70V
	Float	Voltage 13.50-13.80V

Discharge Curves 25°C(77°F)



Constant Current(Amp) and Constant Power(Watt) Discharge Table at 25°C(77°F)

Time		10min	30min	1h	3h	4h	5h	8h	10h	20h	50h	100h
9.60V	A	14	7.3	3.8	1.65	1.28	1.06	0.75	0.67	0.363	0.151	0.078
	W	150	78	45	19	15	12	9	8	4.2	1.8	0.9
10.20V	A	13	7.1	3.6	1.60	1.25	1.04	0.73	0.66	0.354	0.146	0.076
	W	144	78	42	19	14	12	8	8	4.1	1.7	0.9
10.50V	A	13	6.8	3.5	1.56	1.23	1.03	0.72	0.64	0.350	0.144	0.074
	W	140	73	41	20	14	12	8	8	4.1	1.7	0.9
10.80V	A	12	6.5	3.4	1.53	1.21	1.00	0.71	0.62	0.346	0.141	0.073
	W	135	70	39	18	14	12	8	7	4.0	1.7	0.9
11.10V	A	11	6.0	3.2	1.47	1.18	0.97	0.69	0.61	0.329	0.138	0.071
	W	132	70	38	18	14	12	8	7	3.9	1.6	0.8