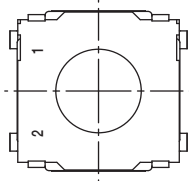
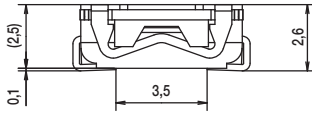




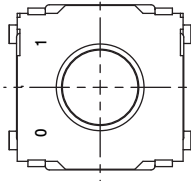
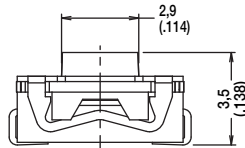
# KSC Series Sealed Tact Switch for SMT

## ACTUATOR

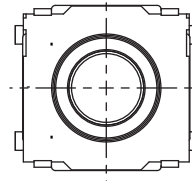
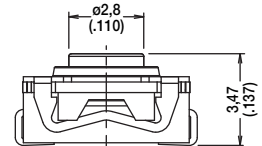
**KSC1** WITHOUT, 2,5 mm HIGH



**KSC2** SOFT, 3,5 mm HIGH



**KSC3** HARD, 3,5 mm HIGH

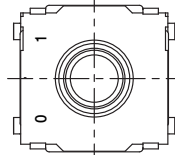
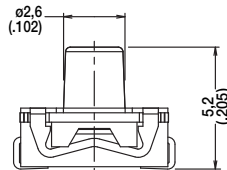


B

Tactile Switches

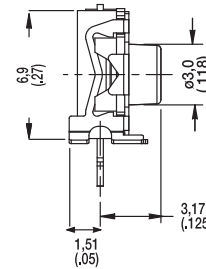
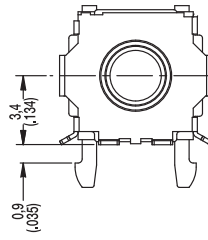
**KSC4** SOFT, 5,2 mm HIGH

**NOTE:** KSC4 standard silicone material is 70 shore, the only exception is KSC401J which is 50 shore.

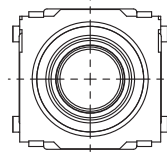
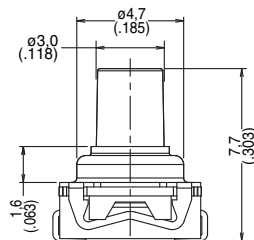


**KSC4** KSC421V ONLY

**NOTE:** KSC421V requires metalized holds for simultaneous reflow soldering of switch terminals and bracket terminals.



**KSC6** HARD, 7,7 mm HIGH

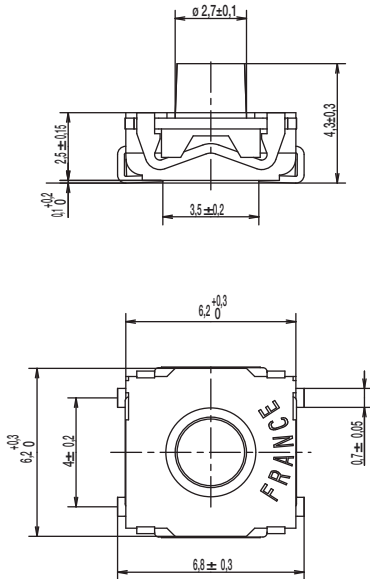


First Angle  
Projection

Dimensions are shown: Inch (mm)  
Specifications and dimensions subject to change

# KSC Series Sealed Tact Switch for SMT

**KSC7** SOFT, 4,3 mm HIGH, BLUE ACTUATOR



Tactile Switches

## OPERATING FORCE



OPTION CODE	OPERATING FORCE
<b>0</b>	1.2 N (120 grams)
<b>1</b>	1.4 N (140 grams)
<b>2</b>	1.6 N / 1.7 N (160/170 grams)
<b>4</b>	3 N / 3.5 N (300/350 grams)
<b>5</b>	5.5 N (550 grams)

## CONTACT MATERIAL



OPTION CODE	MATERIAL
<b>1</b>	SILVER
<b>3</b>	GOLD

# KSC Series Sealed Tact Switch for SMT

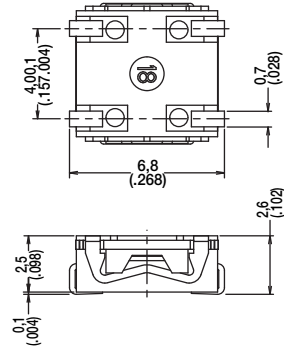
## TERMINATION



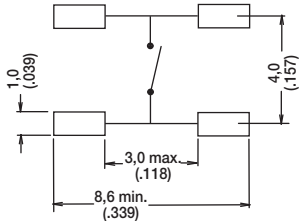
Tactile Switches

B

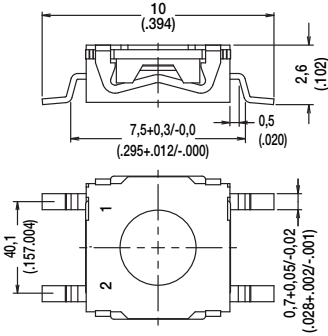
### J BEND



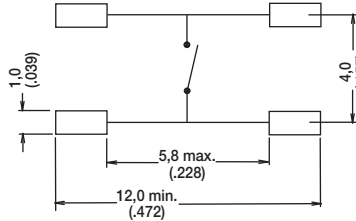
#### PAD LAYOUT



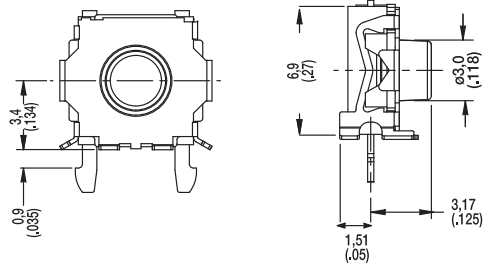
### G GULLWING



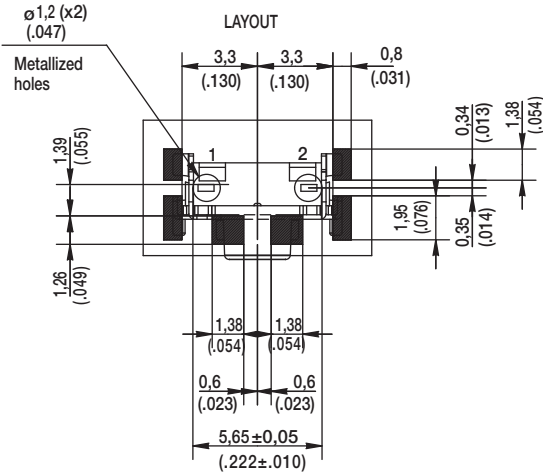
#### PAD LAYOUT



### V RIGHT ANGLE - KSC421V ONLY



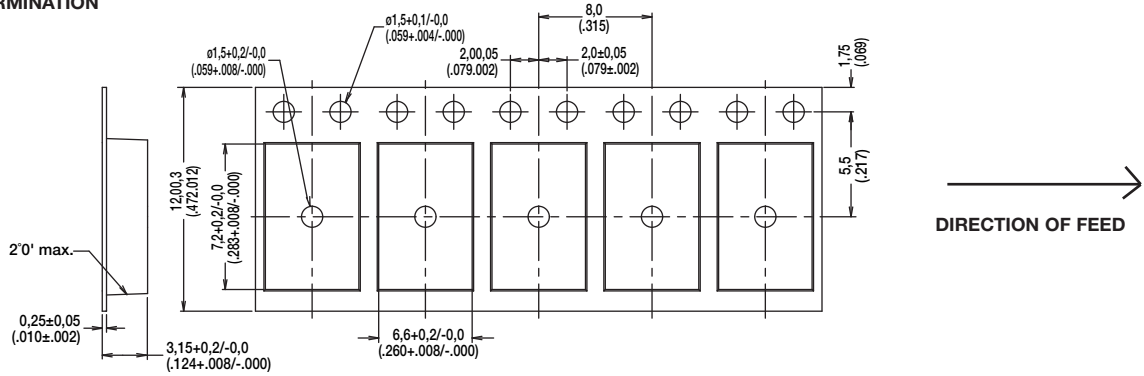
#### PAD LAYOUT



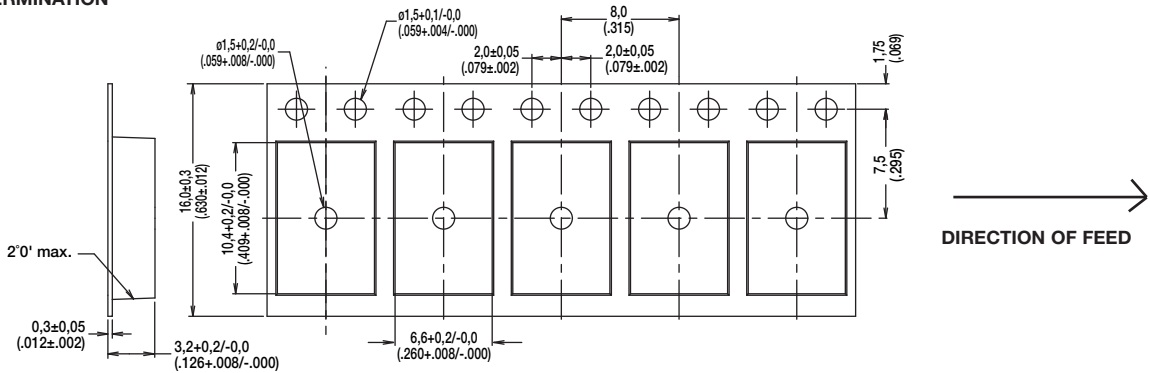
# KSC Series Sealed Tact Switch for SMT

## TAPE & REEL

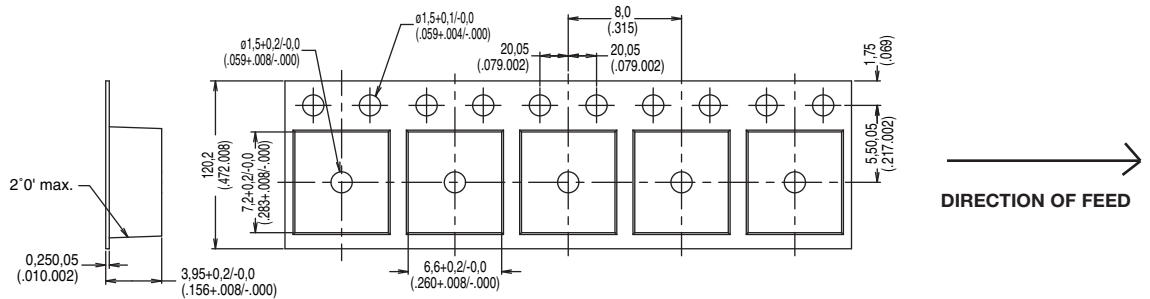
### FOR KSC1 J TERMINATION



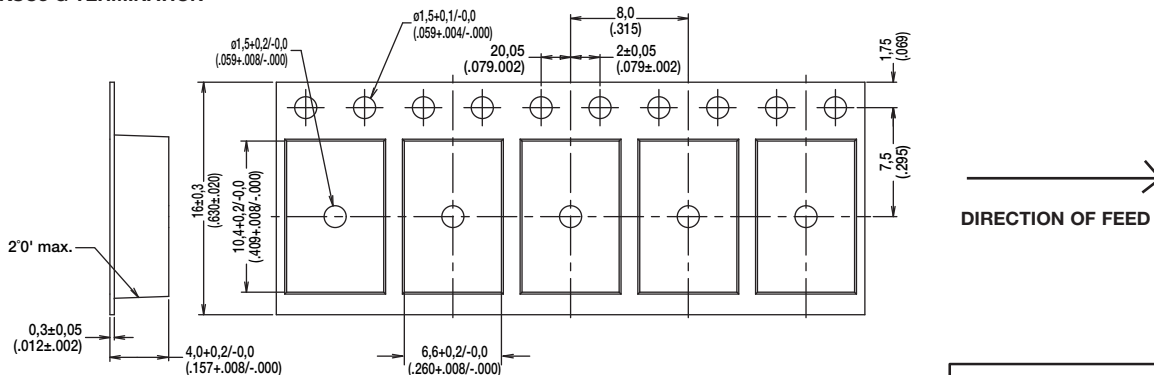
### FOR KSC1 G TERMINATION



### FOR KSC2 & KSC3 J TERMINATION



### FOR KSC2 & KSC3 G TERMINATION



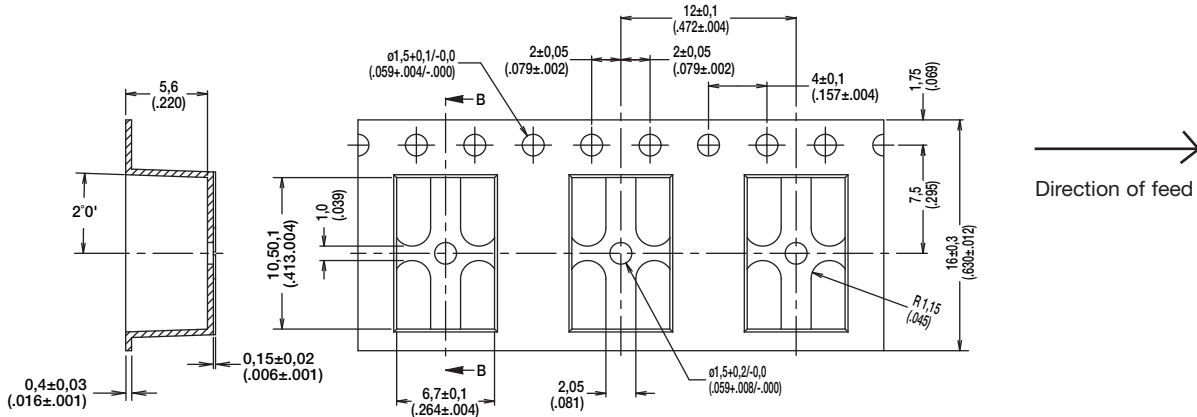
Dimensions are shown: Inch (mm)  
Specifications and dimensions subject to change



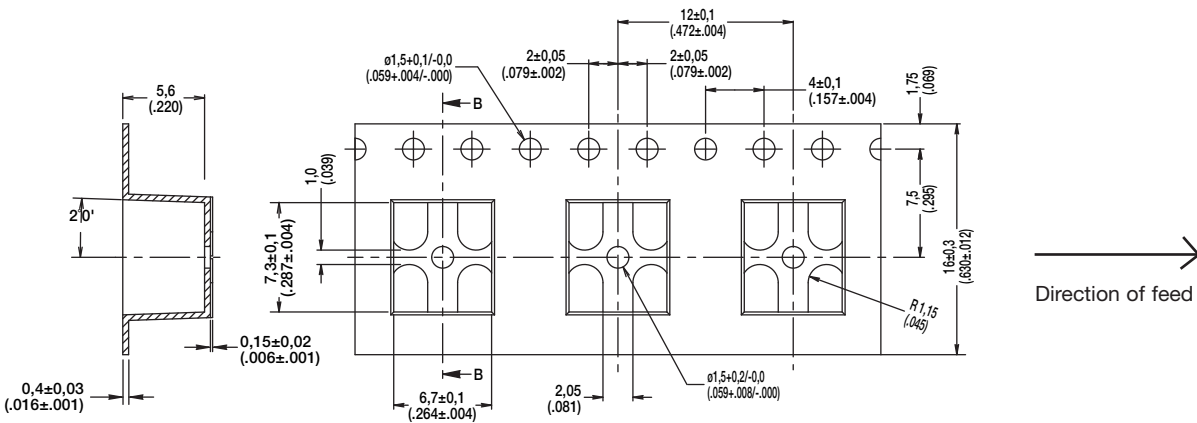
# KSC Series Sealed Tact Switch for SMT

## TAPE & REEL

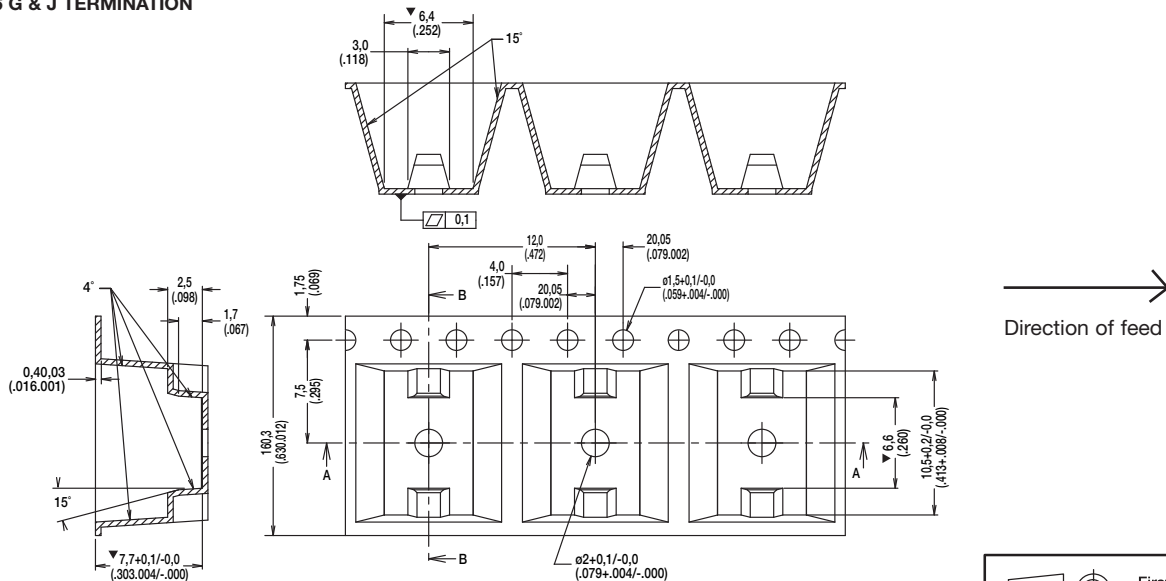
FOR KSC4 FOR G TERMINATION



FOR KSC4 FOR J TERMINATION



FOR KSC6 G & J TERMINATION



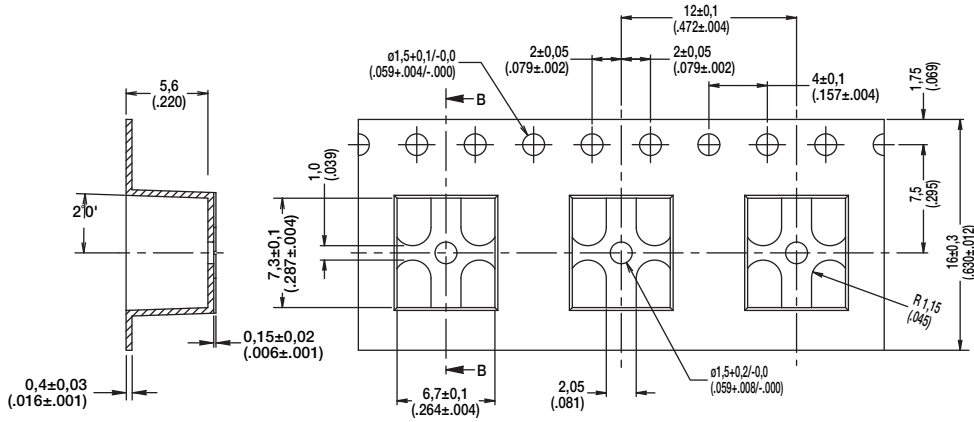
Dimensions are shown: Inch (mm)  
Specifications and dimensions subject to change

Tactile Switches

# KSC Series Sealed Tact Switch for SMT

## TAPE & REEL

FOR KSC7 FOR J TERMINATION



B

Tactile Switches



Dimensions are shown: Inch (mm)  
Specifications and dimensions subject to change