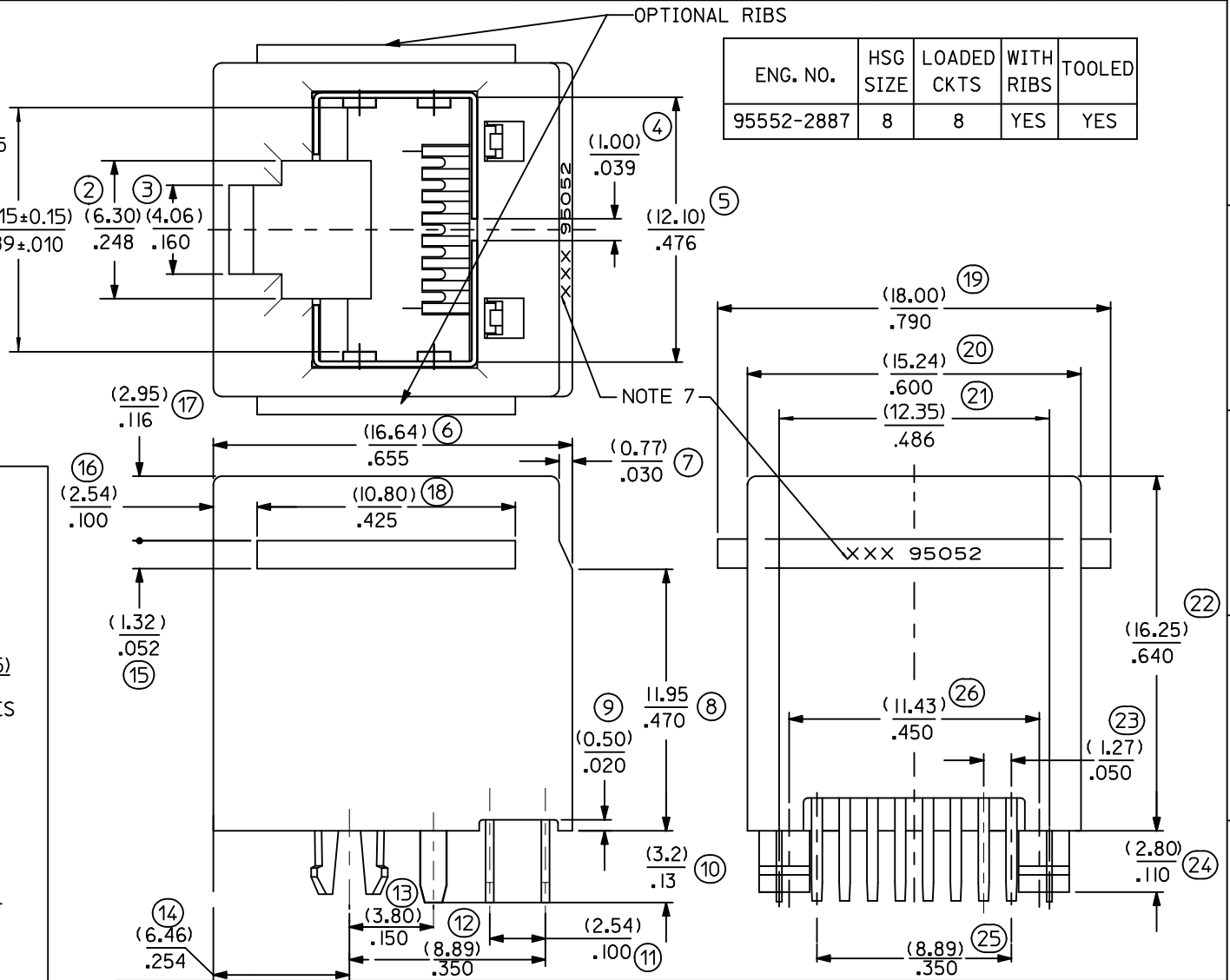
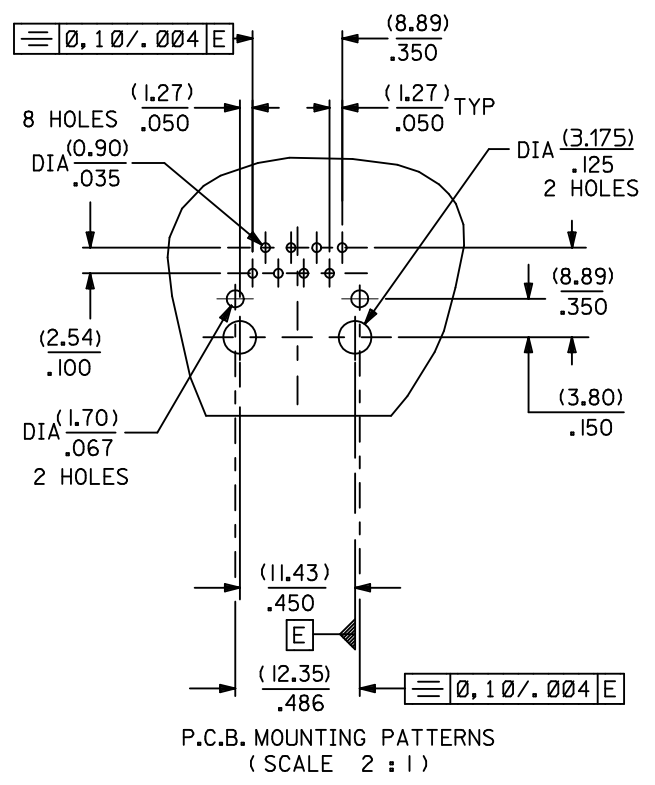


- NOTES:
- 1- MATERIAL: HOUSING: LCP GLASS FILLED UL94-V0
COLOUR: BLACK
TERMINAL: BRASS, PLATED WITH (0.00127)/.000050
MIN GOLD IN CONTACT AREA, (0.00190)/.000075
MIN PURE TIN IN TAIL AREA BOTH OVER
(0.00127)/.000050 MIN NICKEL OVERALL
SHIELD: BRASS PLATED WITH (0.0020)/.000078
MIN TIN
 - 2- JACK FOR MATING WITH F.C.C. 68 TYPE PLUG
MOLEX 95043 SERIES
 - 3- P.C.BOARD THICKNESS: (1.57)/.062
 - 4- PRODUCT SPECIFICATION: PS-95540-002
 - 5- APPLICATION SPECIFICATION: AS-85513-001
 - 6- PACKAGING SPECIFICATION: PK-95022
 - 7- MANUFACTURING I.D. CAN BE EITHER MG, MXF OR MXI.
 - 8- LAST INSPECTION NUMBER 26

| ENG. NO. | HSG SIZE | LOADED CKTS | WITH RIBS | TOOLED |
|------------|----------|-------------|-----------|--------|
| 95552-2887 | 8 | 8 | YES | YES |



ALL DIMENSIONS REFERENCE ONLY



| ADDED DIMENSION EC NO: E2071-0087 DRWN:DSHEA CHKD: APPR:EFOLAN | QUALITY SYMBOLS | GENERAL TOLERANCES (UNLESS SPECIFIED) | DIMENSION STYLE | SCALE | DESIGN UNITS | THIRD ANGLE PROJECTION | | | | | | | | | | | | | | |
|--|---------------------------|---|------------------------|---|--|------------------------|-------|-------|----------|-------|--------|----------|--------|--------|---------|--------|-------|-------|-----|--------|
| | $\nabla=0$ $\square=0$ | <table border="1"> <thead> <tr> <th></th> <th>mm</th> <th>INCH</th> </tr> </thead> <tbody> <tr> <td>4 PLACES</td> <td>± ---</td> <td>± ---</td> </tr> <tr> <td>3 PLACES</td> <td>± ---</td> <td>± .010</td> </tr> <tr> <td>2 PLACES</td> <td>± 0.25</td> <td>± .014</td> </tr> <tr> <td>1 PLACE</td> <td>± 0.35</td> <td>± ---</td> </tr> </tbody> </table> | | mm | INCH | 4 PLACES | ± --- | ± --- | 3 PLACES | ± --- | ± .010 | 2 PLACES | ± 0.25 | ± .014 | 1 PLACE | ± 0.35 | ± --- | MM/IN | 1:1 | METRIC |
| | mm | INCH | | | | | | | | | | | | | | | | | | |
| 4 PLACES | ± --- | ± --- | | | | | | | | | | | | | | | | | | |
| 3 PLACES | ± --- | ± .010 | | | | | | | | | | | | | | | | | | |
| 2 PLACES | ± 0.25 | ± .014 | | | | | | | | | | | | | | | | | | |
| 1 PLACE | ± 0.35 | ± --- | | | | | | | | | | | | | | | | | | |
| REV | DESCRIPTION | DRAFT WHERE APPLICABLE MUST REMAIN WITHIN DIMENSIONS | DRAWN BY DBYRNES | DATE 2007/02/28 | TITLE TOP ENTRY SHIELDED JACK W.E. TYPE | | | | | | | | | | | | | | | |
| | | | CHECKED BY EOMAHONY | DATE 2007/02/28 | MOLEX INCORPORATED | | | | | | | | | | | | | | | |
| | | | APPROVED BY JB | DATE 2007/02/28 | DOCUMENT NO. SD-95552-001 | | | | | | | | | | | | | | | |
| | | | MATERIAL NO. | DATE | SHEET NO. 1 OF 1 | | | | | | | | | | | | | | | |
| | | | SIZE A3 | THIS DRAWING CONTAINS INFORMATION THAT IS PROPRIETARY TO MOLEX INCORPORATED AND SHOULD NOT BE USED WITHOUT WRITTEN PERMISSION | | | | | | | | | | | | | | | | |