

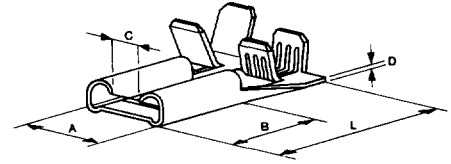
## FEATURES AND SPECIFICATIONS

### Features and Benefits

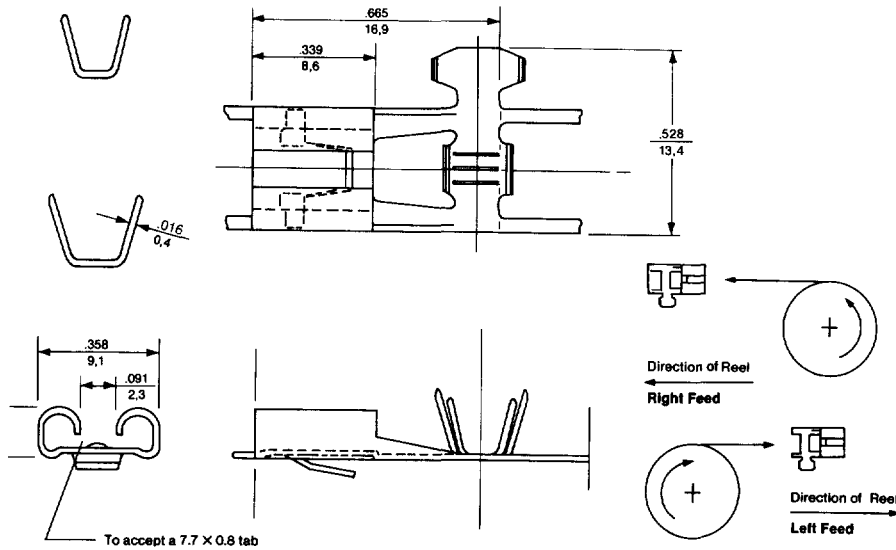
- Wire range from 0.50 through 1.00mm<sup>2</sup> to 2.50 through 4.00mm<sup>2</sup>
- Insulation range from 2.00 through 3.30Ømm to 3.80 through 5.10Ømm
- This is the multiway connector version of our Qik Connect Flag receptacle; this provides a quick method of multi-connection up to 18 ways

# molex® Quick Snap Flag Receptacle

For 7.70 by 0.80mm  
(.303 by .032") Tabs



Available Primarily in Europe—Distributed by Molex Incorporated, not Molex-ETC™



## ORDERING INFORMATION AND DIMENSIONS

Wire Size AWG (mm <sup>2</sup> )	Insulation Range	Left Feed Order No.*		Right Feed Order No.*		Dimension				
		Brass/Plain	Brass/Tin	Brass Plain	Brass/Tin	A	B	C	D	L
14-18 (1.00-2.50)	2.70-4.30 (.106-.169)	94030-5920	94030-5921	94030-5900	94030-5901	9.10 (.358)	8.60 (.339)	2.30 (.091)	0.40 (.016)	16.90 (.665)
11-14 (2.50-4.00)	3.80-5.10 (.150-.201)	94030-6010	94030-6011	94030-6000	94030-6001	9.10 (.358)	8.60 (.339)	2.30 (.091)	0.40 (.016)	16.90 (.665)

\* Contact factory to obtain order no. for Phosphor Bronze/Plain, Phosphor Bronze/Tin, Nickel Silver/Plain and Steel/Nickel