

PLEASE CHECK WWW.MOLEX.COM FOR LATEST PART INFORMATION

Part Number: [0877921116](#)
Status: **Active**
Description: 2.00mm (.079") Pitch Board-to-Board Panel Detachable, PCB Header, Surface Mount, 16 Circuits, Gold (Au) Selective Plating, with Pick-and-Place Cap, Tube Packaging, Lead-free

Documents:

[Drawing \(PDF\)](#) [RoHS Certificate of Compliance \(PDF\)](#)
[Product Specification PS-87791-014 \(PDF\)](#)

General

Product Family	PCB Headers
Series	87792
Application	Board-to-Board
Comments	Panel Detachable
Product Name	N/A

Physical

Breakaway	No
Circuits (Loaded)	16
Circuits (maximum)	16
Durability (mating cycles max)	15,000
First Mate / Last Break	No
Glow-Wire Compliant	No
Guide to Mating Part	No
Keying to Mating Part	None
Lock to Mating Part	None
Mated Height (in)	0.309 In
Mated Height (mm)	7.85 mm
Material - Plating Mating	Gold
Material - Plating Termination	Tin
Number of Rows	2
Orientation	Vertical
PCB Locator	Yes
PCB Retention	None
PCB Thickness Recommended (in)	0.062 In
PCB Thickness Recommended (mm)	1.60 mm
Packaging Type	Tube
Pitch - Mating Interface (in)	0.079 In
Pitch - Mating Interface (mm)	2.00 mm
Polarized to Mating Part	No
Polarized to PCB	No
Robotic Placement	Pick and Place Cap
Shrouded	No
Stackable	No
Surface Mount Compatible (SMC)	N/A
Temperature Range - Operating	-25°C to +70°C
Termination Interface: Style	Surface Mount

Electrical

Current - Maximum per Contact	1A
Voltage - Maximum	125V

Material Info

Reference - Drawing Numbers

Product Specification	PS-87791-014, RPS-87791-005
-----------------------	-----------------------------



image - Reference only

Series

EU RoHS

ELV and RoHS Compliant
REACH SVHC
 Not Reviewed
Halogen-Free Status
 Not Reviewed

China RoHS



Need more information on product environmental compliance?

Email productcompliance@molex.com
 For a multiple part number RoHS Certificate of Compliance, [click here](#)

Please visit the [Contact Us](#) section for any non-product compliance questions.

Search Parts in this Series

[87792Series](#)

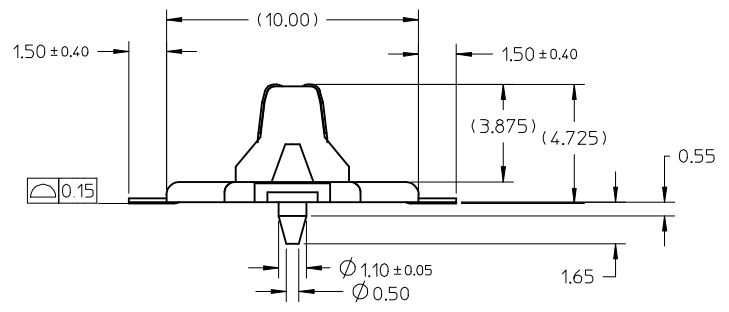
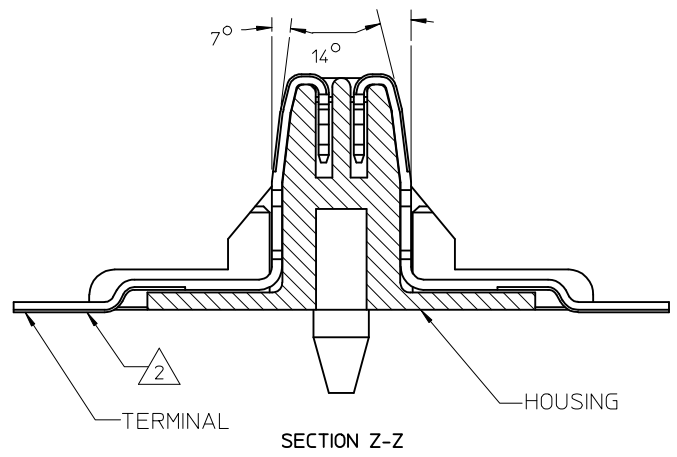
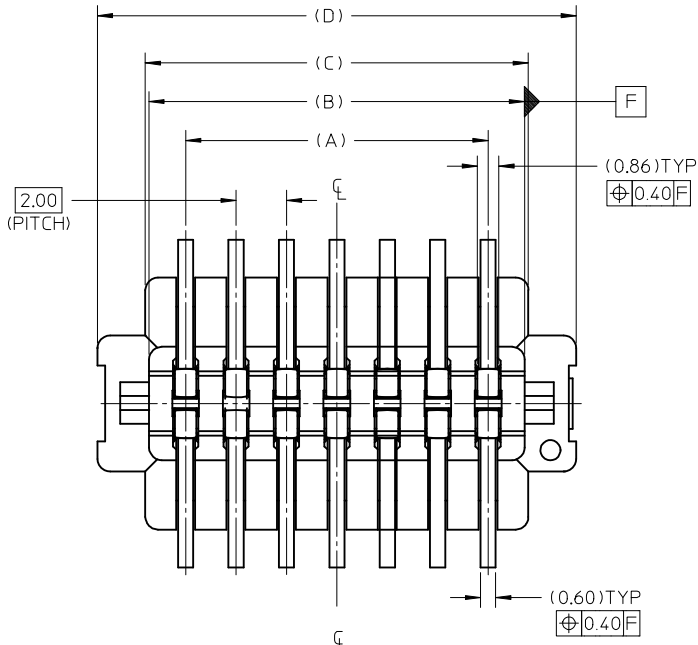
Mates With

[877910116](#) Board-to-Board Panel Detachable

This document was generated on 04/19/2010

PLEASE CHECK WWW.MOLEX.COM FOR LATEST PART INFORMATION

PLATING OPTION	ASSEMBLY P/N WITHOUT CAP IN TUBE	CKT SIZE	A	B	C	D	E
Au PLATING CONTACT AND TIN AT SOLDER TAIL	87792-0114	14	12.00	14.90	15.20	19.00	16.00
	87792-0116	16	14.00	16.90	17.20	21.00	18.00
	-	20	18.00	20.90	21.20	25.00	22.00



- NOTES:
- MATERIALS :
HOUSING : PA46, UL94V-0, COLOR : BLACK
CAP : PA46, UL94V-0, COLOR: BIEGE.
MAXIMUM REGRIND ALLOWABLE FOR CAP IS 100%.
TERMINAL : PHOSPHOR BRONZE.
EMBOSSD TAPE AND REEL : BLACK POLYSTYRENE CONDUCTIVE.
 - PLATING : SEE TABLE.
 - MATING PARTS REFERENCE : 87791-0*** or 87793-0***
 - REFER TO PRODUCT SPEC. PS-87791-014 FOR PERFORMANCE SPEC.
 - CONTACT AND SOLDER TAIL AREAS MUST BE FREE FROM CUTTING BURR.
 - NO SPECIFIC REQUIREMENT - OF APPEARANCE/ COSMETIC TO THE CAP.
 - CAP COVER RETENTION FORCE BEFORE RESISTANCE TO SOLDERING HEAT: 350gf MIN..
 - MAXIMUM ALLOWABLE OF FLASH AT SLOT IS 0.20MM. MAX.

REV	DESCRIPTION	DATE	APPROVED	DRW	CHKD	EC NO.
1	UPDATE DIMENSION	2008/09/26	APPR:MLONG	CHKD:SKANG	DRW:ATSEE	S2008-0498
2		2008/09/26				
3		2008/09/25				

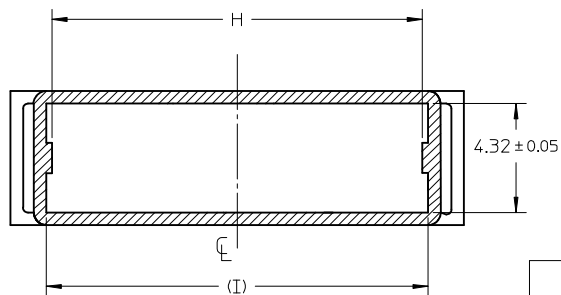
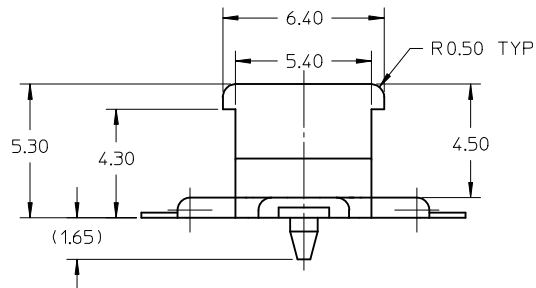
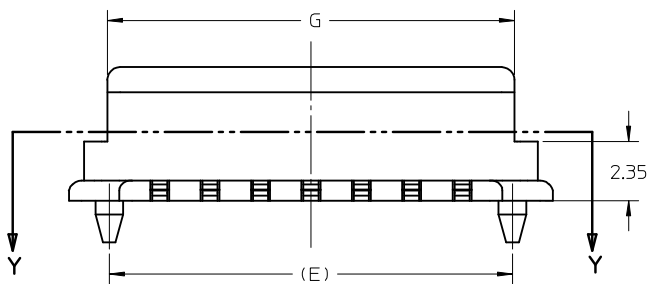
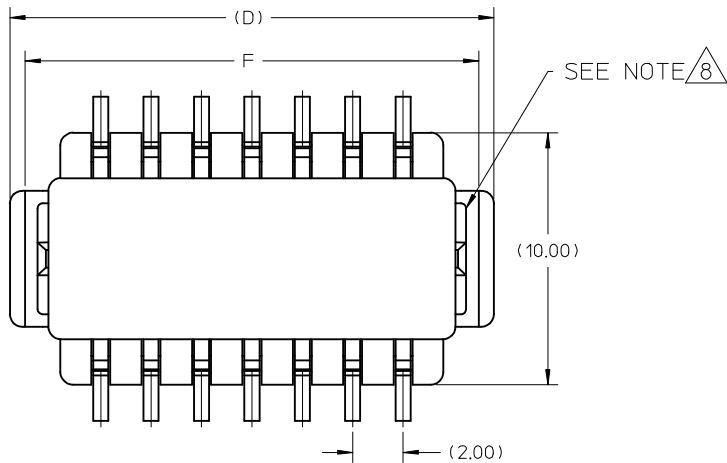
QUALITY SYMBOLS	GENERAL TOLERANCES (UNLESS SPECIFIED)
▽=0	mm INCH
∇=0	4 PLACES ± --- ± ---
	3 PLACES ± --- ± ---
	2 PLACES ± 0.25 ± ---
	1 PLACE ± --- ± ---
	ANGULAR ± 3 °
	DRAFT WHERE APPLICABLE MUST REMAIN WITHIN DIMENSIONS

DIMENSION STYLE		SCALE	DESIGN UNITS	THIRD ANGLE PROJECTION
MM ONLY		NTS	METRIC	⊙ □
DRAWN BY	DATE	TITLE		
CGOH	2004/08/05	2.0 B/B CONN. PLUG SMT (PANEL DETACHABLE TYPE) IN TUBE AND T&R		
CHECKED BY	DATE	MOLEX INCORPORATED		
PTL IM	2004/10/01			
APPROVED BY	DATE	DOCUMENT NO.		
SCLOW	2004/11/01	SD-87792-005		
MATERIAL NO.		SHEET NO.		
SEE TABLE		1 OF 4		

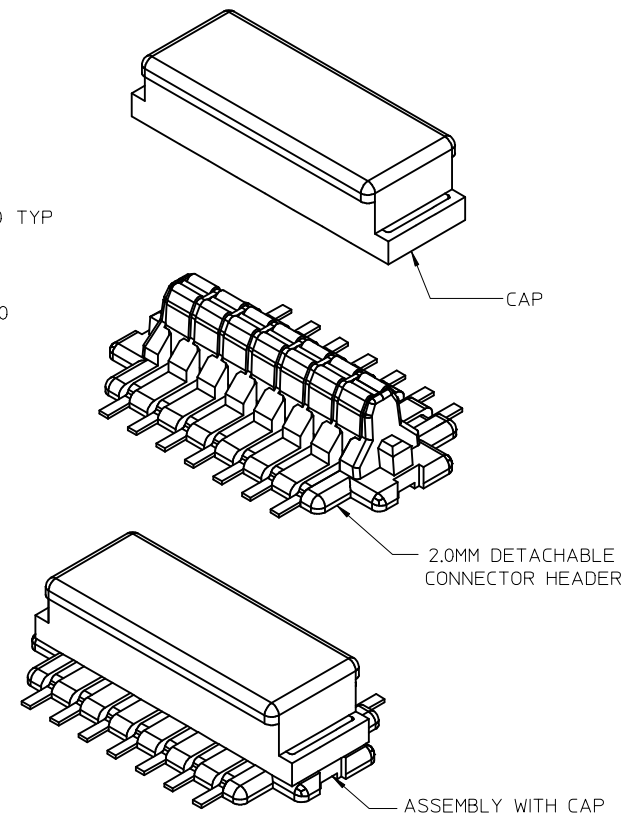
SIZE	THIS DRAWING CONTAINS INFORMATION THAT IS PROPRIETARY TO MOLEX INCORPORATED AND SHOULD NOT BE USED WITHOUT WRITTEN PERMISSION	
A3		

10 9 8 7 6 5 4 3 2 1

PLATING OPTION	ASSEMBLY P/N WITH CAP IN TUBE	CAP P/N	CKT	F	G	H	I
Au PLATING AT CONTACT AREA AND TIN AT SOLDER TAIL	87792-1114	87792-0003	14	18.20	16.15	14.70	15.15
	87792-1116	87792-0004	16	20.20	18.15	16.70	17.15
	87792-1120	87792-0005	20	24.20	22.15	20.70	21.15



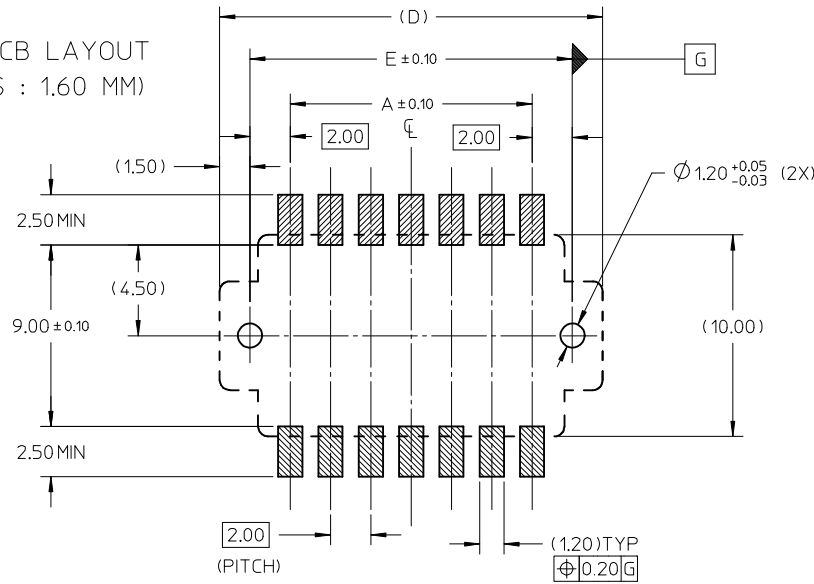
SECTION Y-Y
(COVER ONLY)



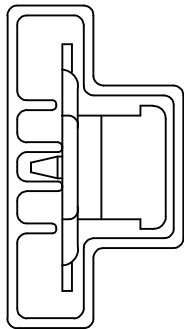
UPDATE DIMENSION EC NO: S2008-0498 DRW: NATSEE 2008/09/25 CHK: DSKANG 2008/09/26 APPR: MLONG 2008/09/26	QUALITY SYMBOLS ▽=0 ◻=0	GENERAL TOLERANCES (UNLESS SPECIFIED)	DIMENSION STYLE MM ONLY	SCALE NTS	DESIGN UNITS METRIC	THIRD ANGLE PROJECTION															
		<table border="1"> <thead> <tr> <th></th> <th>mm</th> <th>INCH</th> </tr> </thead> <tbody> <tr> <td>4 PLACES</td> <td>± ---</td> <td>± ---</td> </tr> <tr> <td>3 PLACES</td> <td>± ---</td> <td>± ---</td> </tr> <tr> <td>2 PLACES</td> <td>± 0.25</td> <td>± ---</td> </tr> <tr> <td>1 PLACE</td> <td>± ---</td> <td>± ---</td> </tr> </tbody> </table>		mm	INCH	4 PLACES	± ---	± ---	3 PLACES	± ---	± ---	2 PLACES	± 0.25	± ---	1 PLACE	± ---	± ---	DRAWN BY: CGOH CHECKED BY: PTLIM APPROVED BY: SCLW	DATE: 2004/08/05 DATE: 2004/10/01 DATE: 2004/11/01	TITLE 2.0 B/B CONN. PLUG SMT (PANEL DETACHABLE TYPE) IN TUBE AND T&R	MOLEX INCORPORATED
		mm	INCH																		
	4 PLACES	± ---	± ---																		
3 PLACES	± ---	± ---																			
2 PLACES	± 0.25	± ---																			
1 PLACE	± ---	± ---																			
DRAFT WHERE APPLICABLE MUST REMAIN WITHIN DIMENSIONS	MATERIAL NO. SEE TABLE	DOCUMENT NO. SD-87792-005	SHEET NO. 2 OF 4																		
	SIZE A3	THIS DRAWING CONTAINS INFORMATION THAT IS PROPRIETARY TO MOLEX INCORPORATED AND SHOULD NOT BE USED WITHOUT WRITTEN PERMISSION																			

9 8 7 6 5 4 3 2 1

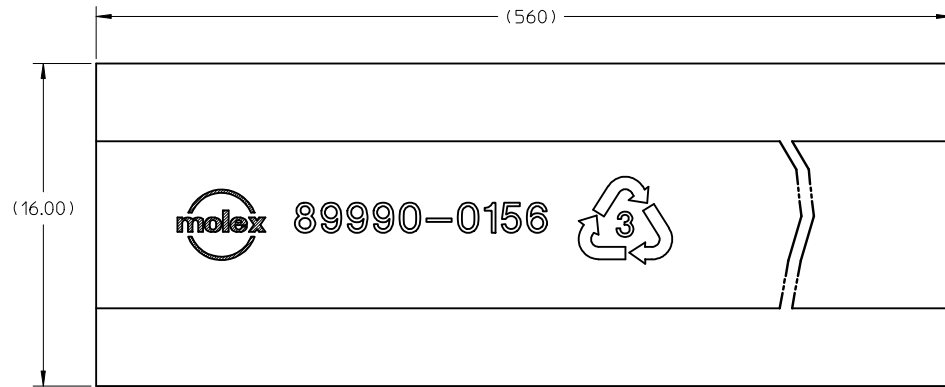
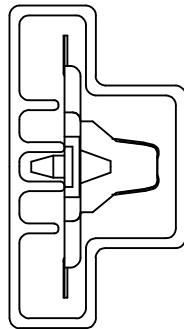
RECOMMENDED PCB LAYOUT
(PCB THICKNESS : 1.60 MM)



ASSEMBLY WITH CAP
IN TUBE



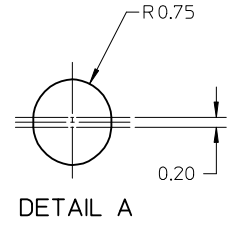
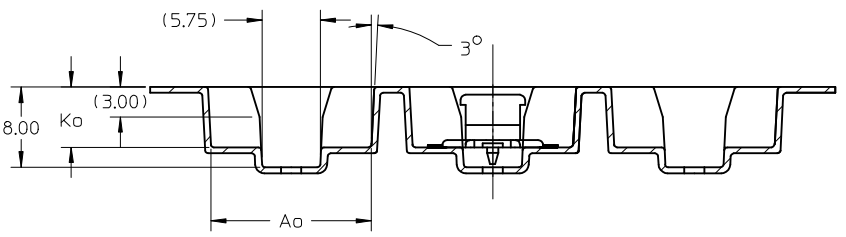
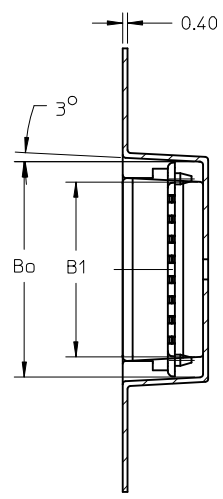
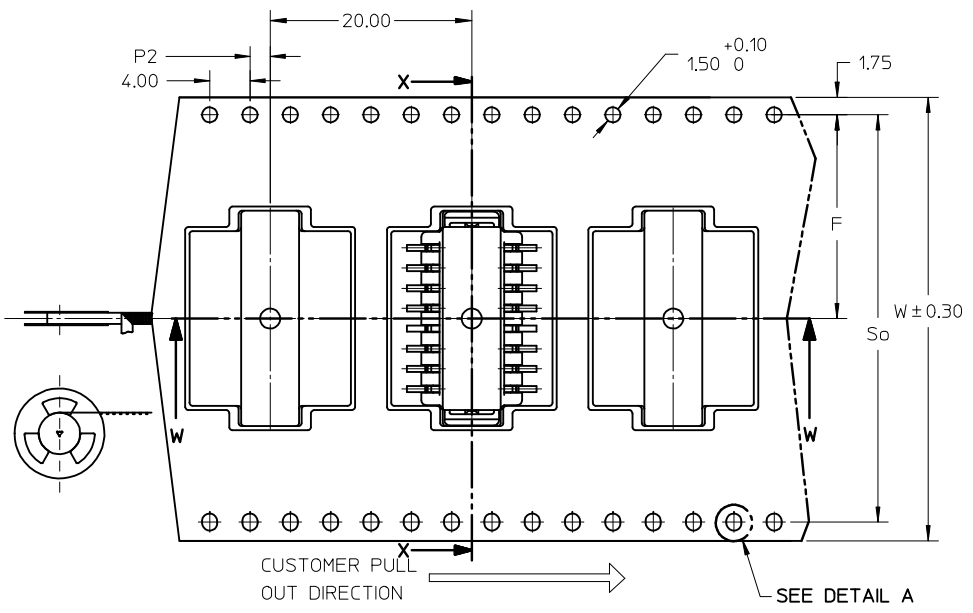
ASSEMBLY WITHOUT
CAP IN TUBE



UPATE DIMENSION EC NO: S2008-0498 DRWN:ATSEE 2008/09/25 CHKD:SKANG 2008/09/26 APPR:MLONG 2008/09/26	QUALITY SYMBOLS ▽=0 ◻=0	GENERAL TOLERANCES (UNLESS SPECIFIED) mm INCH 4 PLACES ± --- ± --- 3 PLACES ± --- ± --- 2 PLACES ± 0.25 ± --- 1 PLACE ± --- ± --- ANGULAR ± 3 °	DIMENSION STYLE MM ONLY DRAWN BY CGOH DATE 2004/08/05 CHECKED BY PTL IM DATE 2004/10/01 APPROVED BY SCLOW DATE 2004/11/01	SCALE NTS	DESIGN UNITS METRIC	THIRD ANGLE PROJECTION
	DRAFT WHERE APPLICABLE MUST REMAIN WITHIN DIMENSIONS	MATERIAL NO. SEE TABLE	TITLE 2.0 B/B CONN. PLUG SMT (PANEL DETACHABLE TYPE) IN TUBE AND T&R	MOLEX INCORPORATED	DOCUMENT NO. SD-87792-005	SHEET NO. 3 OF 4
	THIS DRAWING CONTAINS INFORMATION THAT IS PROPRIETARY TO MOLEX INCORPORATED AND SHOULD NOT BE USED WITHOUT WRITTEN PERMISSION					
	SIZE A3					

TAPE AND REEL DETAIL

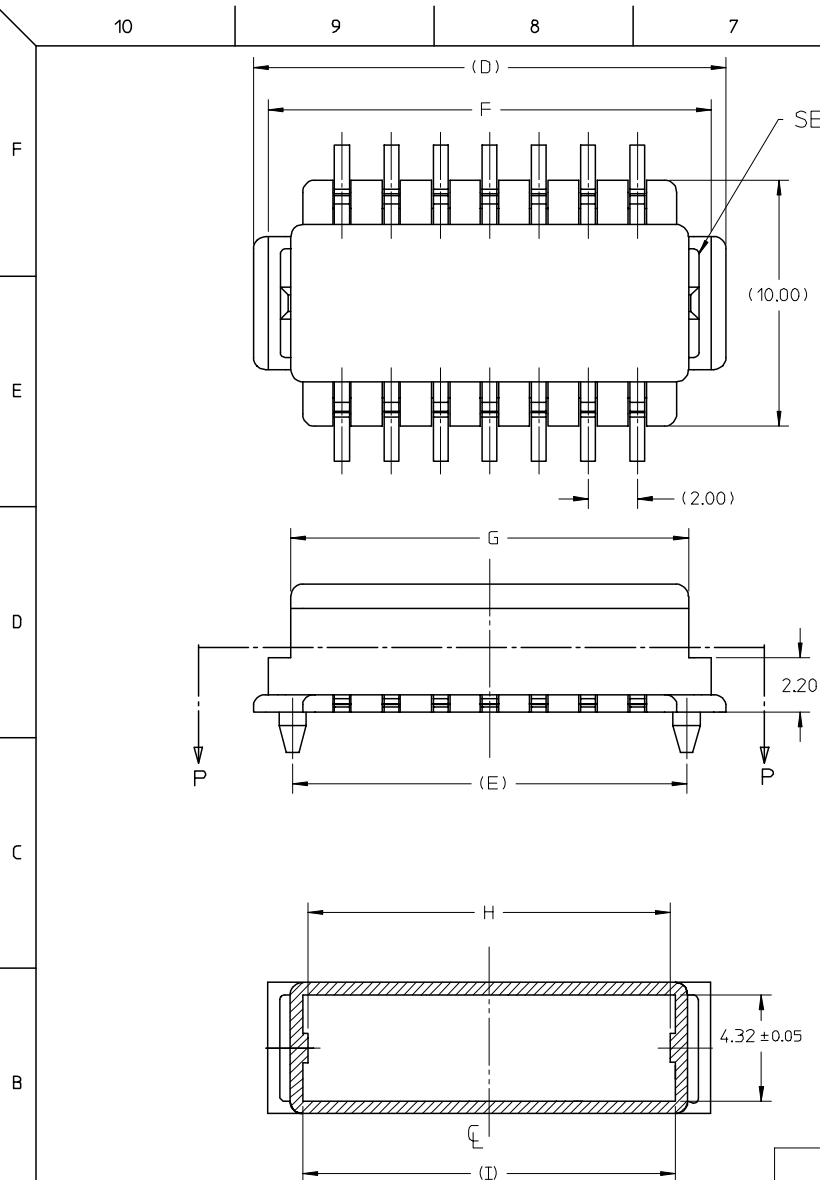
PLATING OPTION	ASSEMBLY P/N WITH CAP IN TAPE & REEL	CKT SIZE	F	Bo	B1	So	W	Ao	Ko	P2
Au PLATING AT CONTACT AREA AND TIN AT SOLDER TAIL	87792-2116	16	20.20	21.35	17.35	40.40	44.00	15.90	6.00	2.00
	87792-2120	20		25.35	21.35					



NOTES:

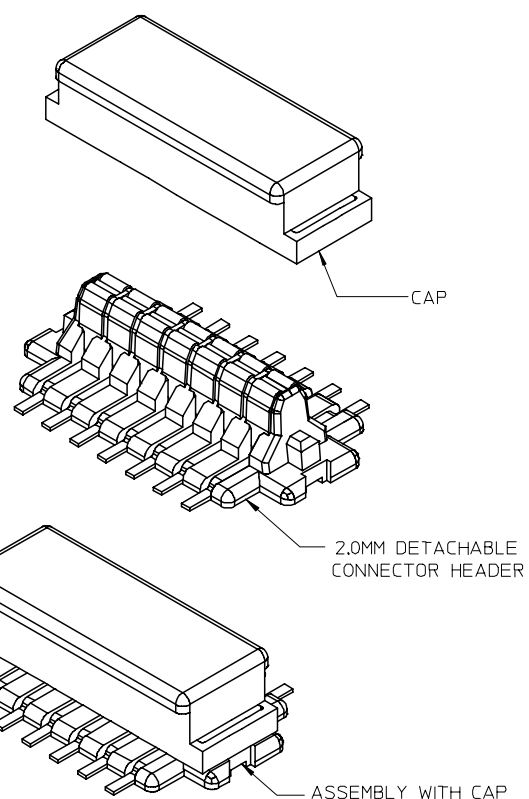
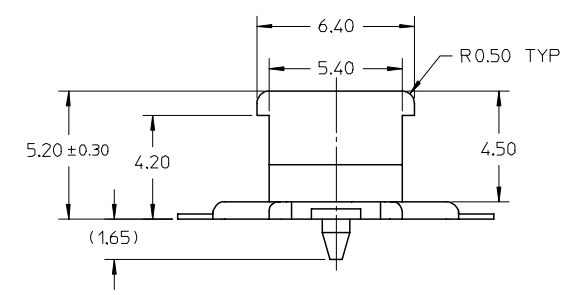
- LEADER AND TRAILER TAPE
 160 MIN. TOP TAPE TRAILER
 390 MIN. TOP TAPE NON BONDED TAPE
 160 MIN. TAIL PART (EMPTY)
 230 MIN. LEADER PART (EMPTY)
 PULL OUT DIRECTION
- PEELING OFF FORCE OF THE TOP TAPE: 20 - 80gf.
 (PEELING DIRECTION AS SHOWN IN FOLLOWING FIGURE)
 15° MAX.
 PEEL OFF DIRECTION
 PULL OUT DIRECTION
- TAPE AND REEL SPECIFICATION IS AS PER EIA-481.
- TAPE AND REEL QUANTITY : 520 PCS/ REEL
- THE TAPE IS TREATED FOR ANTI-STATIC.

UPATE DIMENSION EC NO: S2008-0498 DR: WATSEE 2008/09/25 CHKD: SKANG 2008/09/26 APPR: MLONG 2008/09/26	QUALITY SYMBOLS	GENERAL TOLERANCES (UNLESS SPECIFIED)	DIMENSION STYLE	SCALE	DESIGN UNITS	THIRD ANGLE PROJECTION
	▽=0 □=0	mm INCH 4 PLACES ± --- ± --- 3 PLACES ± --- ± --- 2 PLACES ± 0.25 ± --- 1 PLACE ± --- ± --- ANGULAR ± 3°	MM ONLY	NTS	METRIC	☉ □ THIRD ANGLE PROJECTION
	DESCRIPTION	DRAFT WHERE APPLICABLE MUST REMAIN WITHIN DIMENSIONS	DRAWN BY: CGOH CHECKED BY: PTLIM APPROVED BY: SCLW	DATE: 2004/08/05 DATE: 2004/10/01 DATE: 2004/11/01	TITLE: 2.0 B/B CONN. PLUG SMT (PANEL DETACHABLE TYPE) IN TUBE AND T&R MOLEX INCORPORATED	
	REV		SEE TABLE	MATERIAL NO.	DOCUMENT NO.	SHEET NO.



SEE NOTE 8

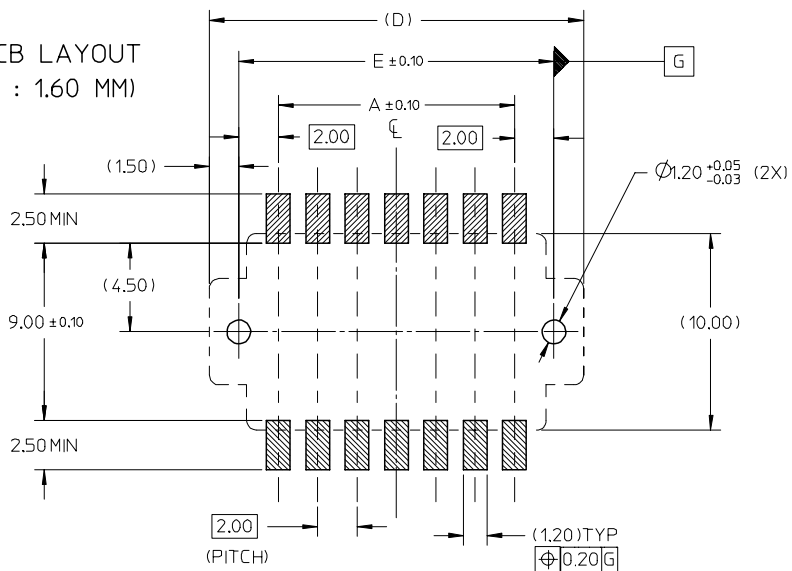
PLATING OPTION	ASSEMBLY P/N WITH CAP IN TUBE	CAP P/N	CKT	F	G	H	I
Au PLATING AT CONTACT AREA AND TIN/LEAD AT SOLDER TAIL	87792-1014	87792-0003	14	18.20	16.15	14.70	15.15
	87792-1016	87792-0004	16	20.20	18.15	16.70	17.15
Au PLATING AT CONTACT AREA AND TIN AT SOLDER TAIL	87792-1114	87792-0003	14	18.20	16.15	14.70	15.15
	87792-1116	87792-0004	16	20.20	18.15	16.70	17.15
	87792-1120	87792-0005	20	24.20	22.15	20.70	21.15



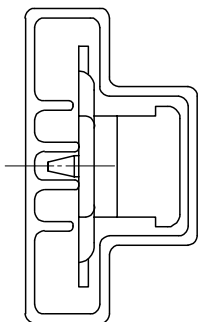
SECTION P-P (COVER ONLY)

REVISED PER EC NO: S2006-0838 DRWN:CGOH CHKD:NAGESHKN APPR:PTLIM 2006/07/12 2006/07/12 2006/07/12	QUALITY SYMBOLS ▽=0 ◻=0	GENERAL TOLERANCES (UNLESS SPECIFIED)		DIMENSION STYLE MM ONLY		SCALE NTS	DESIGN UNITS METRIC	THIRD ANGLE PROJECTION		
		4 PLACES ± --- ± ---	3 PLACES ± --- ± ---	2 PLACES ± 0.25 ± ---	1 PLACE ± --- ± ---	DRAWN BY CGOH	DATE 2004/08/05	TITLE 2.0 B/B CONN. PLUG SMT (PANEL DETACHABLE TYPE) IN TUBE AND T&R MOLEX INCORPORATED		
		ANGULAR ± 3 °				CHECKED BY PTLIM	DATE 2004/10/01			
		DRAFT WHERE APPLICABLE MUST REMAIN WITHIN DIMENSIONS				APPROVED BY SCLOW	DATE 2004/11/01	MATERIAL NO.	DOCUMENT NO. SD-87792-005	SHEET NO. 2 OF 4

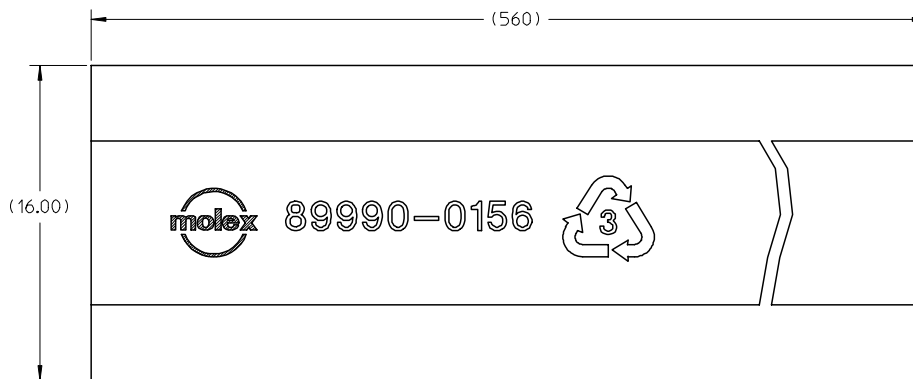
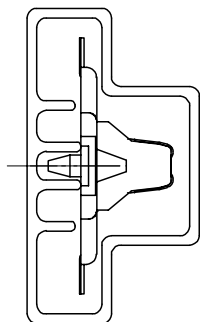
RECOMMENDED PCB LAYOUT
(PCB THICKNESS : 1.60 MM)



ASSEMBLY WITH CAP
IN TUBE



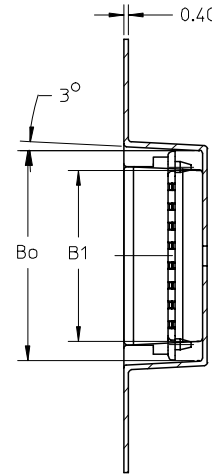
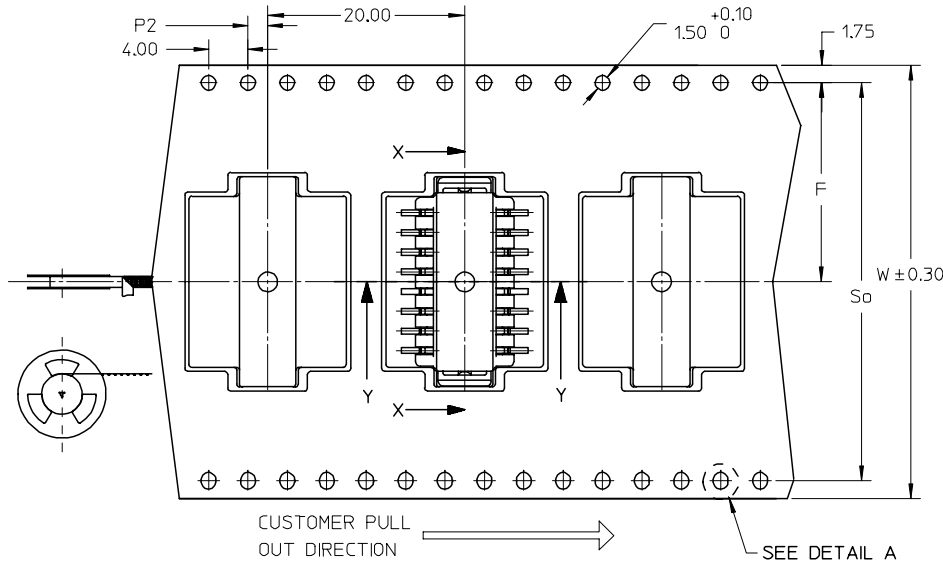
ASSEMBLY WITHOUT
CAP IN TUBE



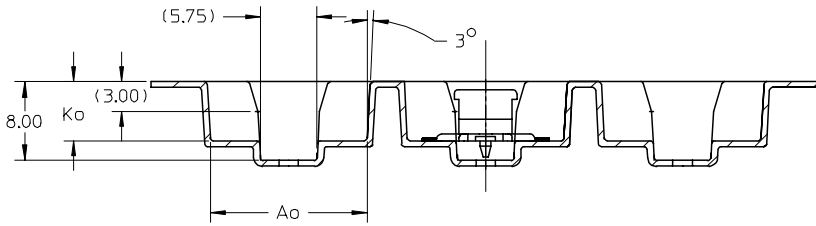
REVISED PER EC NO: S2006-0838 DRWN:CGOH CHKD:NAGESHKN APPR:PTLIM 2006/07/12 2006/07/12 2006/07/12	QUALITY SYMBOLS	GENERAL TOLERANCES (UNLESS SPECIFIED)	DIMENSION STYLE	SCALE	DESIGN UNITS	THIRD ANGLE PROJECTION	
	$\nabla=0$ $\nabla C=0$	mm INCH 4 PLACES ± --- ± --- 3 PLACES ± --- ± --- 2 PLACES ± 0.25 ± --- 1 PLACE ± --- ± --- ANGULAR ± 3 °	MM ONLY	NTS	METRIC		
	DESCRIPTION	DRAFT WHERE APPLICABLE MUST REMAIN WITHIN DIMENSIONS	DRAWN BY	DATE	TITLE		
	REV		CGOH	2004/08/05	2.0 B/B CONN. PLUG SMT (PANEL DETACHABLE TYPE) IN TUBE AND T&R		
			PTLIM	2004/10/01			
			APPROVED BY	DATE			
			SCLOW	2004/11/01			
			MATERIAL NO.	DOCUMENT NO.			
			SEE TABLE	SD-87792-005			
			SIZE				
			A3				
			THIS DRAWING CONTAINS INFORMATION THAT IS PROPRIETARY TO MOLEX INCORPORATED AND SHOULD NOT BE USED WITHOUT WRITTEN PERMISSION				
						SHEET NO. 3 OF 4	

TAPE AND REEL DETAIL

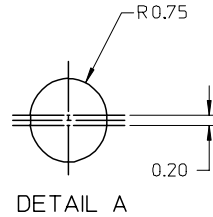
PLATING OPTION	ASSEMBLY P/N WITH CAP IN TAPE & REEL	CKT SIZE	F	Bo	B1	So	W	Ao	Ko	P2
Au PLATING AT CONTACT AREA AND TIN/LEAD AT SOLDER TAIL	87792-2016	16		21.35	17.35					
Au PLATING AT CONTACT AREA AND TIN AT SOLDER TAIL	87792-2116	20	20.20			40.40	44.00	15.90	6.00	2.00
	87792-2120			25.35	21.35					



SECTION X-X



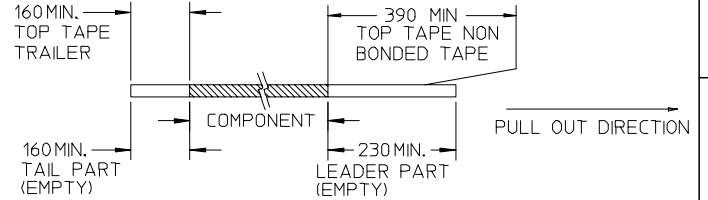
SECTION Y-Y



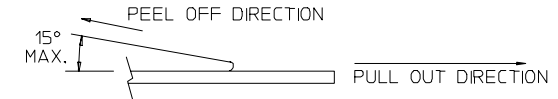
DETAIL A

NOTES:

1. LEADER AND TRAILER TAPE



2. PEELING OFF FORCE OF THE TOP TAPE: 20 - 80gf. (PEELING DIRECTION AS SHOWN IN FOLLOWING FIGURE)



3. TAPE AND REEL SPECIFICATION IS AS PER EIA-481.

4. TAPE AND REEL QUANTITY : 520 PCS/ REEL

5. THE TAPE IS TREATED FOR ANTI-STATIC.

REVISED PER	EC NO:	DRWN:	CHKD:	APPR:	DESCRIPTION	QUALITY SYMBOLS	GENERAL TOLERANCES (UNLESS SPECIFIED)		DIMENSION STYLE		SCALE	DESIGN UNITS	THIRD ANGLE PROJECTION
							mm	INCH	MM ONLY	NTS	METRIC		
2006/07/12	S2006-0838	CGOH	NAAGESHKN	PTLIM	2006/07/12	▽=0 ∇=0	4 PLACES ± ---	± ---	DRAWN BY	DATE	TITLE	MOLEX INCORPORATED	
2006/07/12						3 PLACES ± ---	± ---	CGOH	2004/08/05	2.0 B/B CONN. PLUG SMT (PANEL DETACHABLE TYPE) IN TUBE AND T&R			
						2 PLACES ± 0.25	± ---	CHECKED BY	DATE				
						1 PLACE ± ---	± ---	PTLIM	2004/10/01				
						ANGULAR ± 3 °		APPROVED BY	DATE				
						DRAFT WHERE APPLICABLE MUST REMAIN WITHIN DIMENSIONS		SCLOW	2004/11/01				
								MATERIAL NO.	DOCUMENT NO.	SHEET NO.			
								SIZE	SEE TABLE	SD-87792-005	4 OF 4		
								THIS DRAWING CONTAINS INFORMATION THAT IS PROPRIETARY TO MOLEX INCORPORATED AND SHOULD NOT BE USED WITHOUT WRITTEN PERMISSION					