

PLEASE CHECK WWW.MOLEX.COM FOR LATEST PART INFORMATION

Part Number: [0876930311](#)
Status: **Active**
Description: 1.27mm (.050") Pitch DDR DIMM Socket, Vertical, Press-fit, 2.5V Voltage Keys (Left), 3.32mm (.131") Tail Length, 0.76µm (30µ") Gold (Au) Selective Plating, Black Latches, 184 Circuits, Leadfree

Documents:

[3D Model](#) [Product Specification PS-87693-002 \(PDF\)](#)
[Drawing \(PDF\)](#) [RoHS Certificate of Compliance \(PDF\)](#)

General

Product Family	Memory Module Sockets
Series	87693
Comments	Latches in Black Color
Component Type	Memory Module
JEDEC Outline	MO-206
Product Name	DDR DIMM

Physical

Circuits (Loaded)	184
Color - Resin	Black
Durability (mating cycles max)	25
Entry Angle	Vertical (Top Entry)
Keying to Mating Part	Yes
Material - Metal	Phosphor Bronze
Material - Plating Mating	Gold
Material - Plating Termination	Tin
Material - Resin	High Temperature Thermoplastic, Polysulfone
PC Tail Length (in)	0.131 In
PC Tail Length (mm)	3.32 mm
PCB Retention	None
PCB Thickness Recommended (in)	0.140 In
PCB Thickness Recommended (mm)	3.60 mm
Packaging Type	Tray
Pitch - Mating Interface (in)	0.050 In
Pitch - Mating Interface (mm)	1.27 mm
Plating min: Mating (µin)	30.4
Plating min: Mating (µm)	0.76
Plating min: Termination (µin)	15.2
Plating min: Termination (µm)	0.38
Temperature Range - Operating	-10°C to +85°C
Termination Interface: Style	Through Hole - Compliant Pin

Electrical

Current - Maximum per Contact	1A
Voltage - Maximum	50V
Voltage Key	2.5V, Left

Material Info

Reference - Drawing Numbers

Product Specification	PS-87693-002
Sales Drawing	SD-87693-202

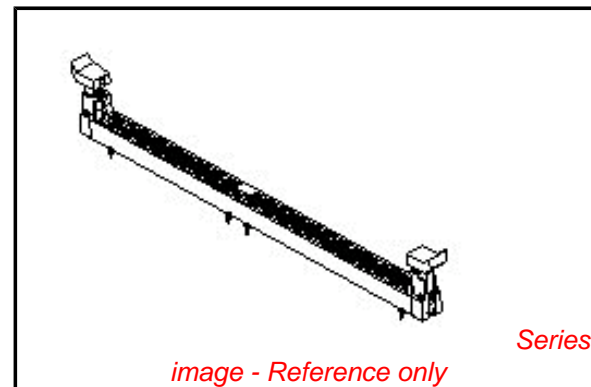


image - Reference only

EU RoHS

**ELV and RoHS
Compliant**
REACH SVHC
 Not Reviewed
**Halogen-Free
Status**

China RoHS



Not Reviewed

**Need more information on product
environmental compliance?**

Email productcompliance@molex.com
 For a multiple part number RoHS Certificate of Compliance, [click here](#)

Please visit the [Contact Us](#) section for any non-product compliance questions.

Search Parts in this Series

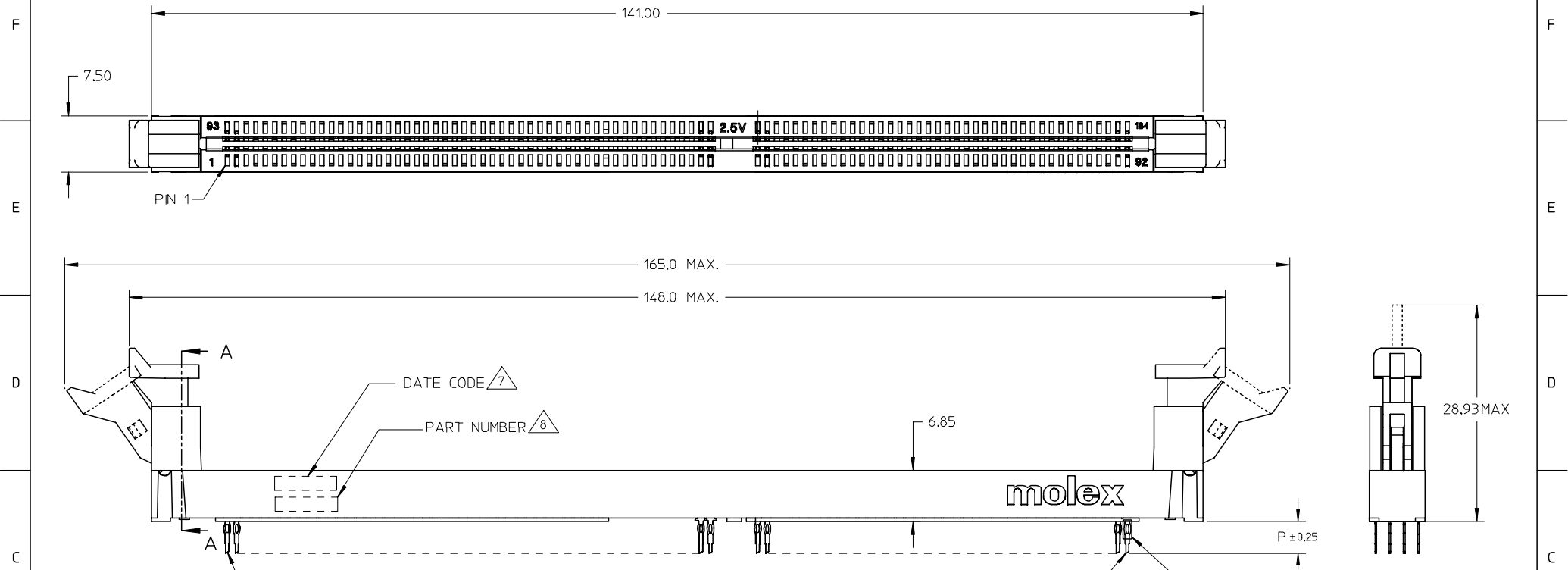
[87693Series](#)

Mates With

JEDEC standard 1.27mm modules

PLEASE CHECK WWW.MOLEX.COM FOR LATEST PART INFORMATION

10 9 8 7 6 5 4 3 2 1

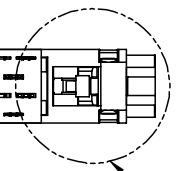
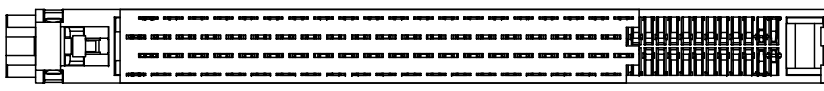


- NOTES:
- CARD SLOT ACCEPTS 1.27±0.10 MODULE THICKNESS. (MEASURED OVER P.C.PADS)
 - RECOMMENDED MODULE LAYOUT SHALL BE PER SHEET 3.
 - RECOMMENDED PLATING ON MODULE PADS: 30u"/0.76uM MINIMUM HARD GOLD OVER 79u"/2uM MINIMUM NICKEL.
 - MATERIAL: HOUSING & LATCH - HIGH TEMP. NYLON, GLASS FILLED, UL 94V-0
HOUSING COLOUR:
NATURAL (OFF WHITE) OR BLACK PER SHEET 5
LATCH COLOR:
CLEAR OR BLACK PER SHEET 5
 - FINISHES: CONTACT AREA: SEE TABLE PER SHEET 5
TAIL AREA: 0.38um(15u") TO 1.52um(60u") TIN/LEAD OR TIN OVER 1.27um(50u") MIN. NICKEL
 - PRODUCT IS PACKAGED IN TRAY.
DATE CODE SHALL BE MARKED LEGIBLY AS YYDD.
PART NUMBER SHALL BE MARKED LEGIBLY AS : 87693-XXXX.

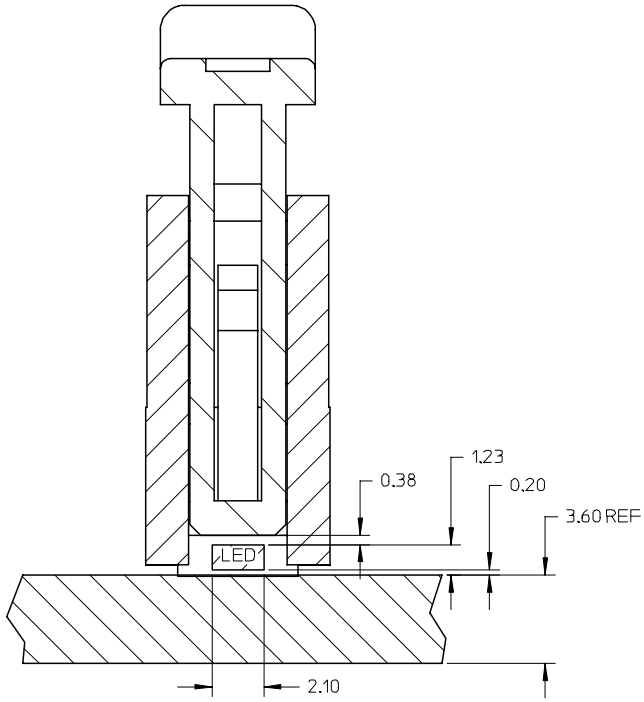
VOID P/N EC NO: S2007-0215 DRWN:SKANG 2006/09/11 CHKD:MLONG 2006/09/13 APPR:SKTOH 2006/09/18	DESCRIPTION	QUALITY SYMBOLS	GENERAL TOLERANCES (UNLESS SPECIFIED)		DIMENSION STYLE MM ONLY		SCALE	DESIGN UNITS	THIRD ANGLE PROJECTION	
		▽=0 ∇=0	mm	INCH	DRAWN BY	DATE	NTS	METRIC	TITLE	
			4 PLACES ± ---	± ---	VSKHOANG	2004/02/10			DDR DIMM, 1.27MM PITCH 184 CKTS, LIGHTPIPE VERTICAL PRESS-FIT	
			3 PLACES ± ---	± ---	CHECKED BY	DATE			MOLEX INCORPORATED	
		2 PLACES ± 0.20	± ---	PTL IM	2004/02/10					
		1 PLACE ± ---	± ---	APPROVED BY	DATE					
		ANGULAR ± 3 °		SKTOH	2004/02/10					
		DRAFT WHERE APPLICABLE MUST REMAIN WITHIN DIMENSIONS		MATERIAL NO.		DOCUMENT NO.		SHEET NO.		
				SEE TABLE		SD-87693-202		1 OF 5		
		THIS DRAWING CONTAINS INFORMATION THAT IS PROPRIETARY TO MOLEX INCORPORATED AND SHOULD NOT BE USED WITHOUT WRITTEN PERMISSION								

9 8 7 6 5 4 3 2 1

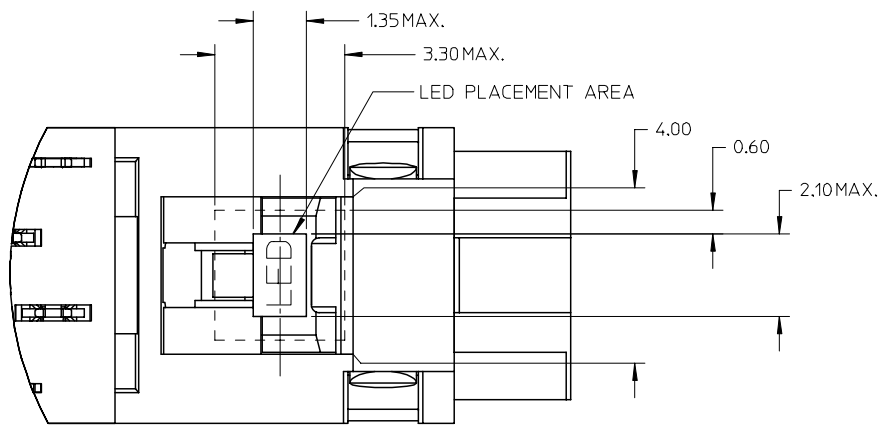
10 9 8 7 6 5 4 3 2 1



Detail2



SECTION A-A



Detail2

VOID P/N EC NO: S2007-0215 DRWN:SKANG CHKD:MLONG APPR:SKTOH	DESCRIPTION 2006/09/11 2006/09/13 2006/09/18	QUALITY SYMBOLS	GENERAL TOLERANCES (UNLESS SPECIFIED)		DIMENSION STYLE MM ONLY		SCALE NTS	DESIGN UNITS METRIC	THIRD ANGLE PROJECTION			
		$\nabla=0$ $\nabla C=0$	4 PLACES	± ---	± ---	DRAWN BY VSKHOANG	DATE 2004/02/10	TITLE	DDR DIMM, 1.27MM PITCH			
			3 PLACES	± ---	± ---	CHECKED BY PTL IM	DATE 2004/02/10	184 CKTS, LIGHTPIPE				
			2 PLACES	± 0.20	± ---	APPROVED BY SKTOH	DATE 2004/02/10	VERTICAL PRESS-FIT				
		1 PLACE	± ---	± ---	MATERIAL NO.		DOCUMENT NO.		SHEET NO.			
DRAFT WHERE APPLICABLE MUST REMAIN WITHIN DIMENSIONS			ANGULAR ± 3 °		SEE TABLE		SD-87693-202		2 OF 5			
THIS DRAWING CONTAINS INFORMATION THAT IS PROPRIETARY TO MOLEX INCORPORATED AND SHOULD NOT BE USED WITHOUT WRITTEN PERMISSION												

9 8 7 6 5 4 3 2 1

10 9 8 7 6 5 4 3 2 1

F

F

NOTES:
 1 CARD THICKNESS APPLIES ACROSS THE CONTACTS AND INCLUDES PLATING AND/OR METALIZATION. STRAIGHTNESS CALLOUT APPLIES TO ZONE DEFINED BY THE 4.00 CONTACT AREA DIMENSION FOR THE ENTIRE LENGTH OF 133.35.

E

E

D

D

C

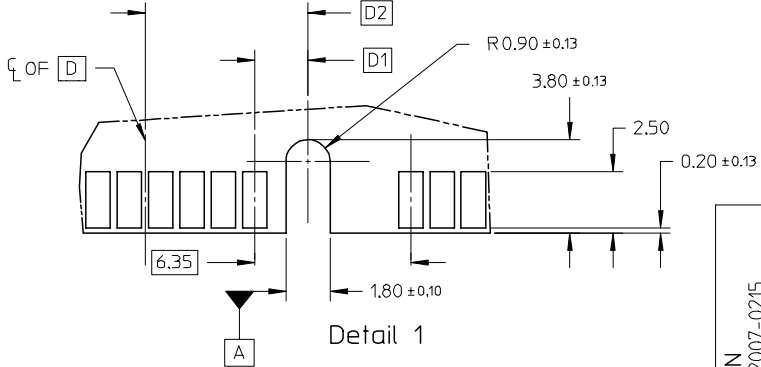
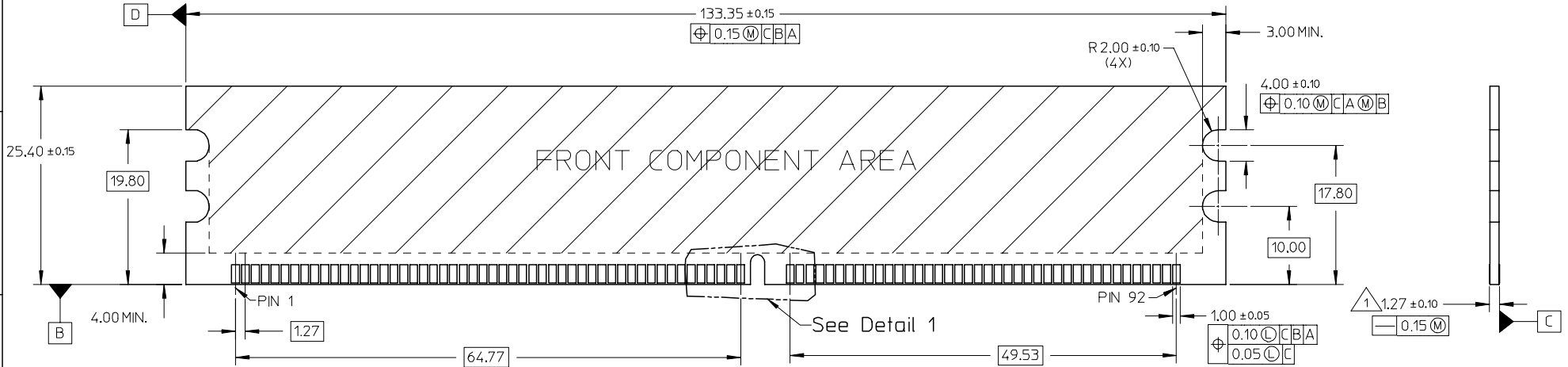
C

B

B

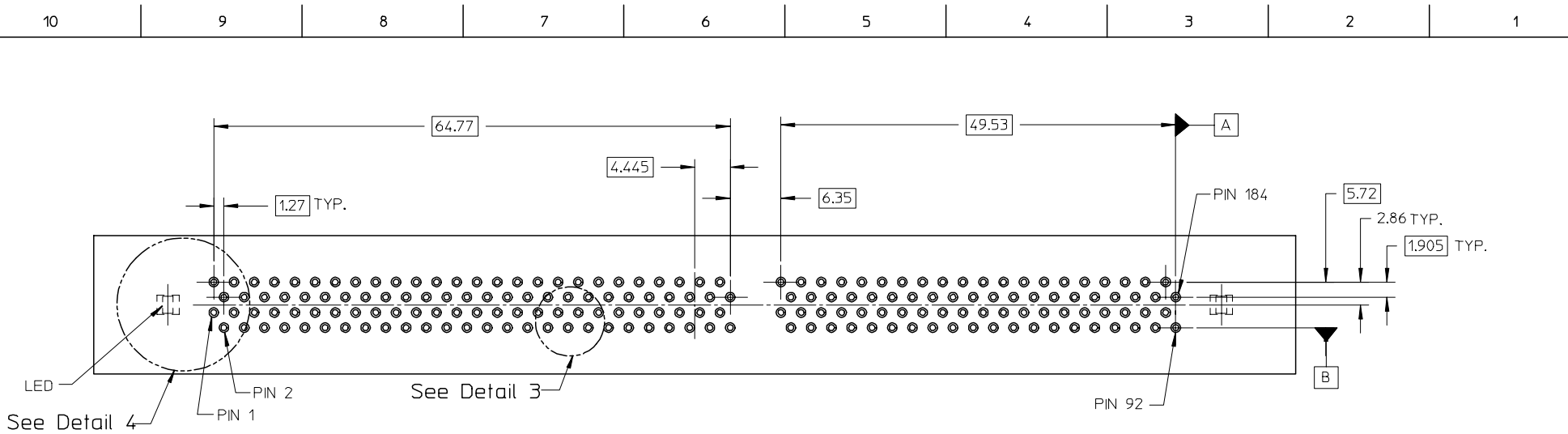
A

A

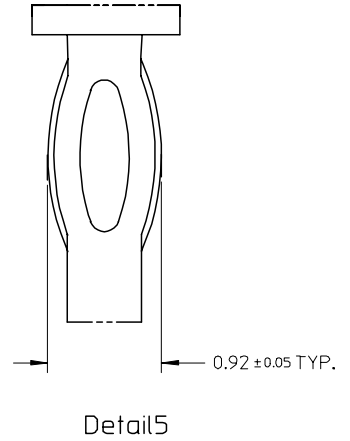
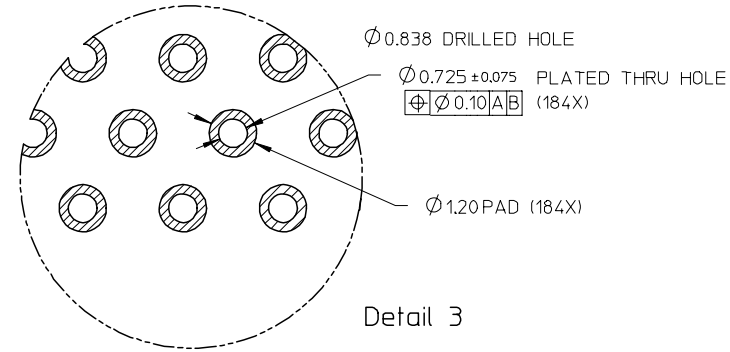
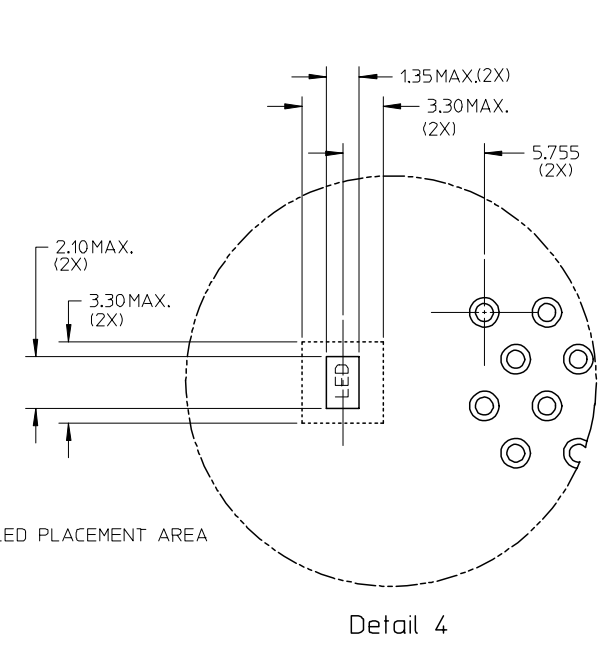


VOID P/N EC NO: S2007-0215 DRWN:SKANG 2006/09/11 CHKD:MLONG 2006/09/13 APPR:SKTOH 2006/09/18	QUALITY SYMBOLS ▽=0 ▽=0	GENERAL TOLERANCES (UNLESS SPECIFIED) <table border="1"> <thead> <tr> <th></th> <th>mm</th> <th>INCH</th> </tr> </thead> <tbody> <tr> <td>4 PLACES</td> <td>± ---</td> <td>± ---</td> </tr> <tr> <td>3 PLACES</td> <td>± ---</td> <td>± ---</td> </tr> <tr> <td>2 PLACES</td> <td>± 0.20</td> <td>± ---</td> </tr> <tr> <td>1 PLACE</td> <td>± ---</td> <td>± ---</td> </tr> <tr> <td colspan="3">ANGULAR ± 3 °</td> </tr> </tbody> </table>		mm	INCH	4 PLACES	± ---	± ---	3 PLACES	± ---	± ---	2 PLACES	± 0.20	± ---	1 PLACE	± ---	± ---	ANGULAR ± 3 °			DIMENSION STYLE MM ONLY DRAWN BY VSKHOANG DATE 2004/02/10 CHECKED BY PTL IM DATE 2004/02/10 APPROVED BY SKTOH DATE 2004/02/10	SCALE NTS DESIGN UNITS METRIC THIRD ANGLE PROJECTION	TITLE DDR DIMM, 1.27MM PITCH 184 CKTS, LIGHTPIPE VERTICAL PRESS-FIT
		mm	INCH																				
	4 PLACES	± ---	± ---																				
	3 PLACES	± ---	± ---																				
2 PLACES	± 0.20	± ---																					
1 PLACE	± ---	± ---																					
ANGULAR ± 3 °																							
MATERIAL NO. SKTOH DOCUMENT NO. SD-87693-202 SHEET NO. 3 OF 5	SEE TABLE		MOLEX INCORPORATED																				
DRAFT WHERE APPLICABLE MUST REMAIN WITHIN DIMENSIONS		THIS DRAWING CONTAINS INFORMATION THAT IS PROPRIETARY TO MOLEX INCORPORATED AND SHOULD NOT BE USED WITHOUT WRITTEN PERMISSION																					
SIZE A3																							

9 8 7 6 5 4 3 2 1



RECOMMENDED P.CBOARD HOLE PATTERN
(SEE RECOMMENDED THICKNESS IN TABLE)



VOID P/N EC NO: S2007-0215 DRWN:SKANG CHKD:MLONG APPR:SKTOH	DESCRIPTION 2006/09/11 2006/09/13 2006/09/18	QUALITY SYMBOLS	GENERAL TOLERANCES (UNLESS SPECIFIED)		DIMENSION STYLE	SCALE	DESIGN UNITS	THIRD ANGLE PROJECTION		
		$\nabla=0$ $\nabla C=0$			MM ONLY	NTS	METRIC			
			mm	INCH	DRAWN BY	DATE	TITLE			
					VSKHOANG	2004/02/10	DDR DIMM, 1.27MM PITCH 184 CKTS, LIGHTPIPE VERTICAL PRESS-FIT			
		DRAFT WHERE APPLICABLE MUST REMAIN WITHIN DIMENSIONS		4 PLACES ± --- ± ---	3 PLACES ± --- ± ---	CHECKED BY	DATE	MOLEX INCORPORATED		
				2 PLACES ± 0.20 ± ---	1 PLACE ± --- ± ---	PTL IM	2004/02/10	SD-87693-202		
				ANGULAR ± 3 °		APPROVED BY	DATE	SHEET NO.		
						SKTOH	2004/02/10	4 OF 5		
				SEE TABLE		DOCUMENT NO.				
						SD-87693-202				
						THIS DRAWING CONTAINS INFORMATION THAT IS PROPRIETARY TO MOLEX INCORPORATED AND SHOULD NOT BE USED WITHOUT WRITTEN PERMISSION				

	10	9	8	7	6	5	4	3	2	1				
		PLATING OPTION	PART NUMBER	TAIL LENGTH P±0.25	RECOMMENDED PCB THICKNESS	VOLTAGE KEY	DESCRIPTION	D1	D2	FINISHES CONTACT AREA	HOUSING COLOUR	LATCH		
F		TIN/LEAD	87693-4201	4.30	4.57	2.5 VOLT	LEFT	2.175	6.62	SELECTIVE GOLD 15u"/0.38uM MIN. GOLD OVER 50u"/1.27uM MIN. NICKEL	BLACK	BLACK		
	87693-4301		3.32	3.60										
	87693-4202		4.30	4.57	1.8 VOLT	CENTER	3.175	7.62						
	87693-4302		3.32	3.60										
	87693-4211		4.30	4.57	2.5 VOLT	LEFT	2.175	6.62	SELECTIVE GOLD 30u"/0.76uM MIN. GOLD OVER 50u"/1.27uM MIN. NICKEL	BLACK	CLEAR			
	87693-4311		3.32	3.60										
	87693-4212		4.30	4.57	1.8 VOLT	CENTER	3.175	7.62						
	87693-4312		3.32	3.60										
	87693-5201		4.30	4.57	2.5 VOLT	LEFT	2.175	6.62	SELECTIVE GOLD 15u"/0.38uM MIN. GOLD OVER 50u"/1.27uM MIN. NICKEL	BLACK	CLEAR			
	87693-5301		3.32	3.60										
	87693-5202		4.30	4.57	1.8 VOLT	CENTER	3.175	7.62						
	87693-5302		3.32	3.60										
	87693-5211		4.30	4.57	2.5 VOLT	LEFT	2.175	6.62	SELECTIVE GOLD 30u"/0.76uM MIN. GOLD OVER 50u"/1.27uM MIN. NICKEL	BLACK	CLEAR			
	87693-5311		3.32	3.60										
	87693-5212	4.30	4.57	1.8 VOLT	CENTER	3.175	7.62							
	87693-5312	3.32	3.60											
	87693-6311	3.32	3.60	2.5 VOLT	LEFT	2.175	6.62		NATURAL					
D		TIN	87693-0201	4.30	4.57	2.5 VOLT	LEFT	2.175	6.62	SELECTIVE GOLD 15u"/0.38uM MIN. GOLD OVER 50u"/1.27uM MIN. NICKEL	BLACK	BLACK		
	87693-0301		3.32	3.60										
	87693-0202		4.30	4.57	1.8 VOLT	CENTER	3.175	7.62						
	87693-0302		3.32	3.60										
	87693-0311		3.32	3.60	2.5 VOLT	LEFT	2.175	6.62		BLACK				
	87693-1201		4.30	4.57	2.5 VOLT	LEFT	2.175	6.62	SELECTIVE GOLD 15u"/0.38uM MIN. GOLD OVER 50u"/1.27uM MIN. NICKEL	BLACK	CLEAR			
	87693-1301		3.32	3.60										
	87693-1202		4.30	4.57	1.8 VOLT	CENTER	3.175	7.62						
	87693-1302		3.32	3.60										
	87693-1211		4.30	4.57	2.5 VOLT	LEFT	2.175	6.62	SELECTIVE GOLD 30u"/0.76uM MIN. GOLD OVER 50u"/1.27uM MIN. NICKEL	BLACK	CLEAR			
	87693-1311		3.32	3.60										
	87693-2311		3.32	3.60	2.5 VOLT	LEFT	2.175	6.62					NATURAL	

VOID P/N EC NO: S2007-0215 DRWNS:KANG CHKD:M LONG APPR:SKTOH	2006/09/11 2006/09/13 2006/09/18	DESCRIPTION REV	QUALITY SYMBOLS	GENERAL TOLERANCES (UNLESS SPECIFIED)	DIMENSION STYLE		SCALE	DESIGN UNITS	THIRD ANGLE PROJECTION	
			▽=0 ∇=0		MM ONLY		NTS	METRIC		
					mm	INCH	DRAWN BY	DATE	TITLE	
					4 PLACES ± ---	± ---	VSKHOANG	2004/02/10	DDR DIMM, 1.27MM PITCH 184 CKTS, LIGHTPIPE VERTICAL PRESS-FIT	
	3 PLACES ± ---	± ---								
	2 PLACES ± 0.20	± ---								
	1 PLACE ± ---	± ---								
	ANGULAR ± 3 °									
	APPROVED BY									
	SKTOH									
	MATERIAL NO.									
	SEE TABLE									
	DOCUMENT NO.									
	SD-87693-202									
	SHEET NO.									
	5 OF 5									
DRAFT WHERE APPLICABLE MUST REMAIN WITHIN DIMENSIONS			SIZE	THIS DRAWING CONTAINS INFORMATION THAT IS PROPRIETARY TO MOLEX INCORPORATED AND SHOULD NOT BE USED WITHOUT WRITTEN PERMISSION						
			A3							