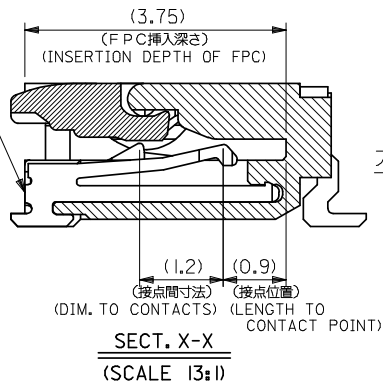
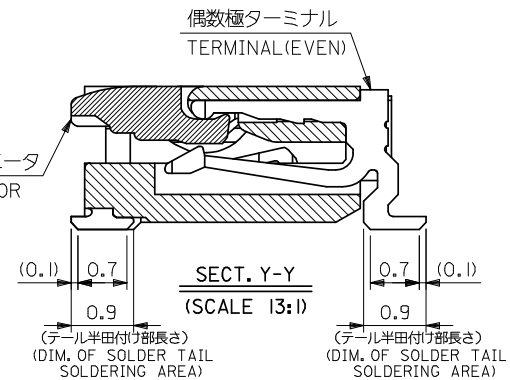


奇数極ターミナル
TERMINAL(ODD)



SECT. X-X
(SCALE 13:1)



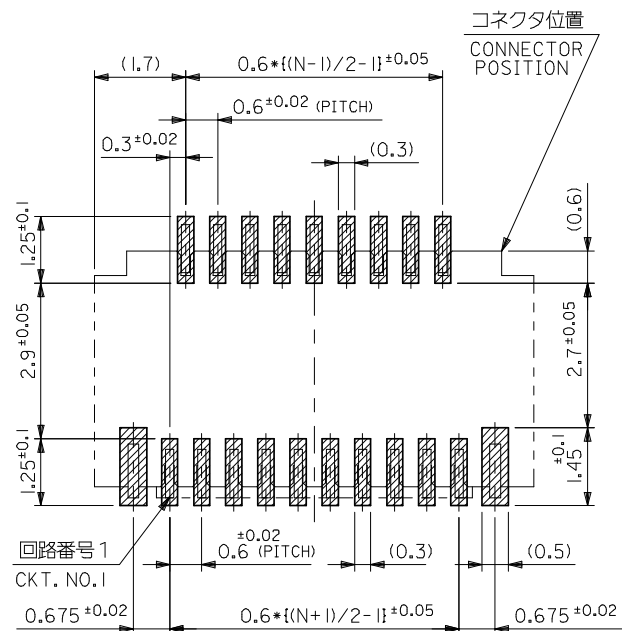
注記 NOTES

1. 使用材料 MATERIAL
ハウジング : LCP , UL94V-0
HOUSING
アクチュエータ : PPS , UL94V-0
ACTUATOR
ターミナル : リン青銅 (t=0.15), ニッケル下地金メッキ
TERMINAL : PHOS-BRO., GOLD OVER NICKEL PLATING.
金具 : リン青銅 (t=0.2), ニッケル下地メッキ
FITTING NAIL : PHOS-BRO., TIN OVER NICKEL PLATING.
 2. 公差 TOLERANCES
一般公差 : ±0.3
GENERAL TOLERANCES : ±0.3
 3. 本製品は 54393-***77 の鉛フリー品です
THIS PRODUCT IS LEAD FREE OF 54393-***77
 4. 一般公差 : ±0.3
GENERAL TOLERANCES : ±0.3
 5. 本製品は 54393-***77 の鉛フリー品です
THIS PRODUCT IS LEAD FREE OF 54393-***77
- △ ソルダータール半田付け面のスレ量、及び金具半田付け面のスレ量は、基準面 R に対し、上方向 OMAX、下方向 O.18MAX. とする。
又、相互のバラツキ量は O.1MAX. とする。
MISALIGNMENT OF SOLDER TAILS AND FITTING NAILS FROM R
UPPER DIRECTION : 0 MAX., LOWER DIRECTION : 0.18 MAX.
OFFSET BETWEEN SOLDER TAILS AND FITTING NAILS : 0.1 MAX.
- △ (N-1)/2 が偶数の場合、偶数極側に適用。
(N-1)/2 が奇数の場合、奇数極側に適用。
IF (N-1)/2 = EVEN, APPLY FOR EVEN CIRCUIT SIDE,
IF (N-1)/2 = ODD, APPLY FOR ODD CIRCUIT SIDE,

15.6	8.175	15	14.4	17.8	54393-5181	54393-5118	51
13.8	7.275	13.2	12.6	16	54393-4581	54393-4518	45
12	6.375	11.4	10.8	14.2	54393-3981	54393-3918	39
10.2	5.475	9.6	9	12.4	54393-3381	54393-3318	33
8.4	4.575	7.8	7.2	10.6	54393-2781	54393-2718	27
7.2	3.975	6.6	6.0	9.4	54393-2381	54393-2318	23
6.6	3.675	6	5.4	8.8	54393-2181	54393-2118	21
5.4	3.075	4.8	4.2	7.6	54393-1781	54393-1718	17
E	D	C	B	A	EMBOSSED TAPE ORDER No. オート-番号		MATERIAL NO. CKT.

54393-***18 MODEL NO.

REVISED EC NO: J2008-4034 DRWN: WABEI CHKD: THARYAMA APPR: NUKITA 2008/05/28 2008/05/28 2008/05/28	GENERAL TOLERANCES (UNLESS SPECIFIED)		DIMENSION STYLE MM ONLY		SCALE 10:1	DESIGN UNITS METRIC	THIRD ANGLE PROJECTION	
	10 UNDER	± ---	DRAWN BY DATE H. SHIMABUKUR '04/01/29		TITLE 0.3 FPC CONN (EASY ON) HSG ASSY -LEAD FREE-			
	10 OVER 30 UNDER	± ---	CHECKED BY DATE K. TOJO '04/01/29		MOLEX INCORPORATED			
	30 OVER	± ---	APPROVED BY DATE M. SASAO '04/01/29		DOCUMENT NO. SD-54393-024		SHEET NO. 1 OF 2	
	ANGULAR ± --- °		MATERIAL NO. SEE TABLE					
DRAFT WHERE APPLICABLE MUST REMAIN WITHIN DIMENSIONS		THIS DRAWING CONTAINS INFORMATION THAT IS PROPRIETARY TO MOLEX INCORPORATED AND SHOULD NOT BE USED WITHOUT WRITTEN PERMISSION						

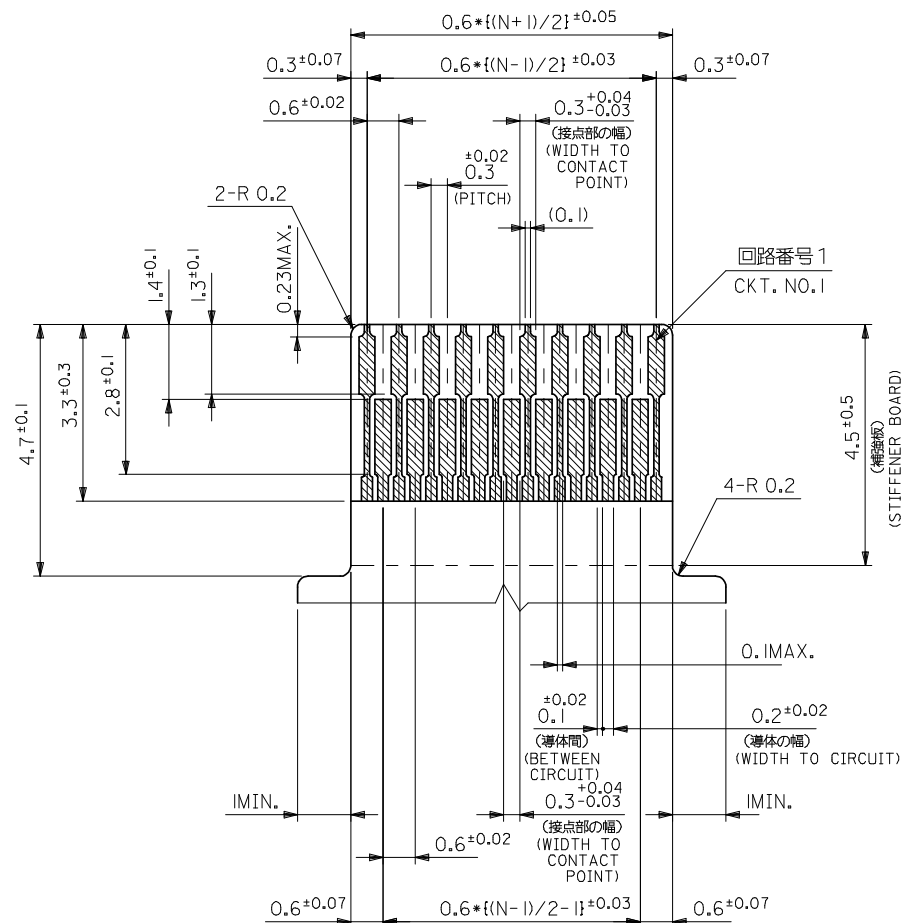


FPC挿入側
FPC INSERTION SIDE

参考基板レイアウト
RECOMMENDED P.C.BOARD
PATTERN DIM. (REF.)
(マウント面)
(MOUNTING SIDE)

FPCについて：
打抜き方向は導体側から補強板側を推奨致します。
補強フィルム材質はポリイミドを推奨致します。
接着剤は熱硬化接着剤を推奨致します。

ABOUT FPC:
RECOMMENDED PUNCHER DIRECTION : FROM CONDUCTOR SIDE TO STIFFENER BOARD SIDE.
RECOMMENDED MATERIAL:
STIFFENER FILM : POLYIMIDE
BONDING AGENT : THERMOSETTING BONDING AGENT



適合FPC推奨寸法
APPLICABLE FPC
RECOMMENDED DIM.

(仕上がり厚さ: 0.2 ± 0.03)
(THICKNESS : 0.2 ± 0.03)

REVISED EC NO: J2008-4034 DRWN: MWABEI CHKD: THARUYAMA APPR: NUKITA	DESCRIPTION 2008/05/28 2008/05/28 2008/05/28	GENERAL TOLERANCES (UNLESS SPECIFIED)		DIMENSION STYLE MM ONLY		SCALE ---	DESIGN UNITS METRIC	THIRD ANGLE PROJECTION	
		10 UNDER	± ---	DRAWN BY H. SHIMABUKUR	DATE '04/01/29	TITLE 0.3 FPC CONN (EASY ON) HSG ASSY -LEAD FREE-			
		10 OVER 30 UNDER	± ---	CHECKED BY K. TOJO	DATE '04/01/29	MOLEX INCORPORATED			
		30 OVER	± ---	APPROVED BY M. SASAO	DATE '04/01/29	DOCUMENT NO. SD-54393-024		SHEET NO. 2 OF 2	
		ANGULAR	± --- °	MATERIAL NO. SEE SHEET 1					
D	REV	DRAFT WHERE APPLICABLE MUST REMAIN WITHIN DIMENSIONS		SIZE A3 THIS DRAWING CONTAINS INFORMATION THAT IS PROPRIETARY TO MOLEX INCORPORATED AND SHOULD NOT BE USED WITHOUT WRITTEN PERMISSION					