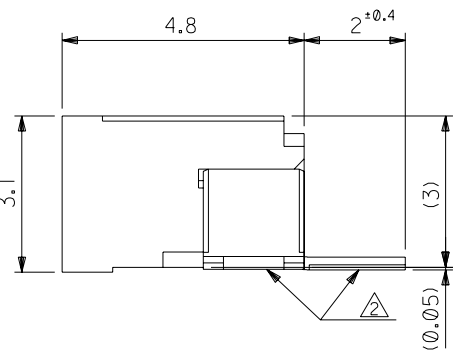
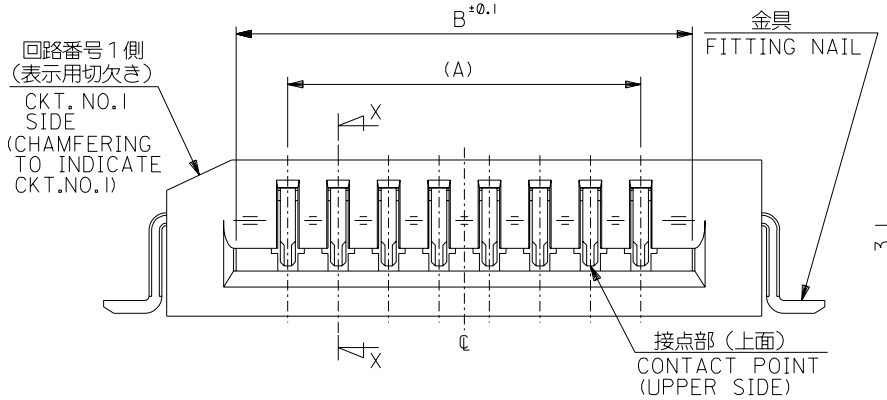
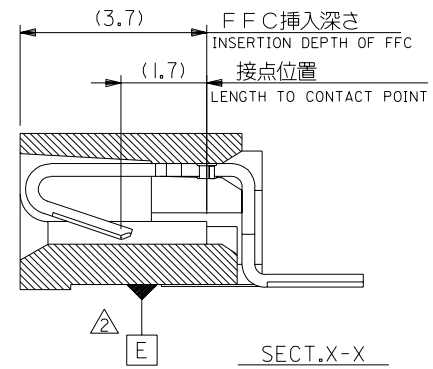
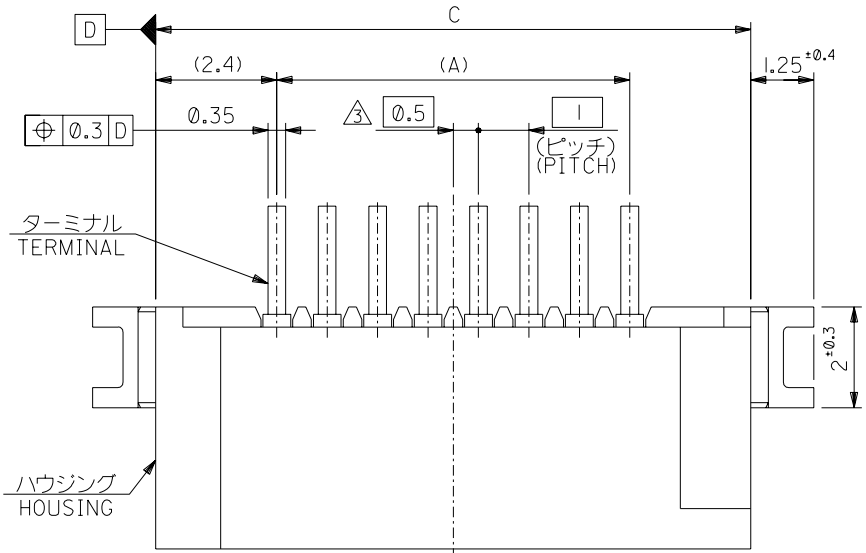


DWG. NO. SD-52793-011



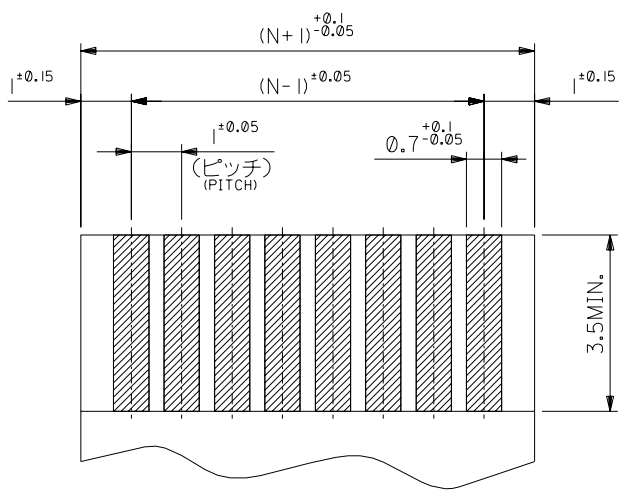
33.8	31.05	29	52793-3019	30
32.8	30.05	28	-2919	29
31.8	29.05	27	-2819	28
30.8	28.05	26	-2719	27
29.8	27.05	25	-2619	26
28.8	26.05	24	-2519	25
27.8	25.05	23	-2419	24
26.8	24.05	22	-2319	23
25.8	23.05	21	-2219	22
24.8	22.05	20	-2119	21
23.8	21.05	19	-2019	20
22.8	20.05	18	-1919	19
21.8	19.05	17	-1819	18
20.8	18.05	16	-1719	17
19.8	17.05	15	-1619	16
18.8	16.05	14	-1519	15
17.8	15.05	13	-1419	14
16.8	14.05	12	-1319	13
15.8	13.05	11	-1219	12
14.8	12.05	10	-1119	11
13.8	11.05	9	-1019	10
12.8	10.05	8	-0919	9
11.8	9.05	7	-0819	8
10.8	8.05	6	-0719	7
9.8	7.05	5	-0619	6
8.8	6.05	4	-0519	5
7.8	5.05	3	-0419	4
6.8	4.05	2	52793-0319	3
C	B	A	MATERIAL NO	極数 CIRCUIT

DO NOT SCALE DRAWING

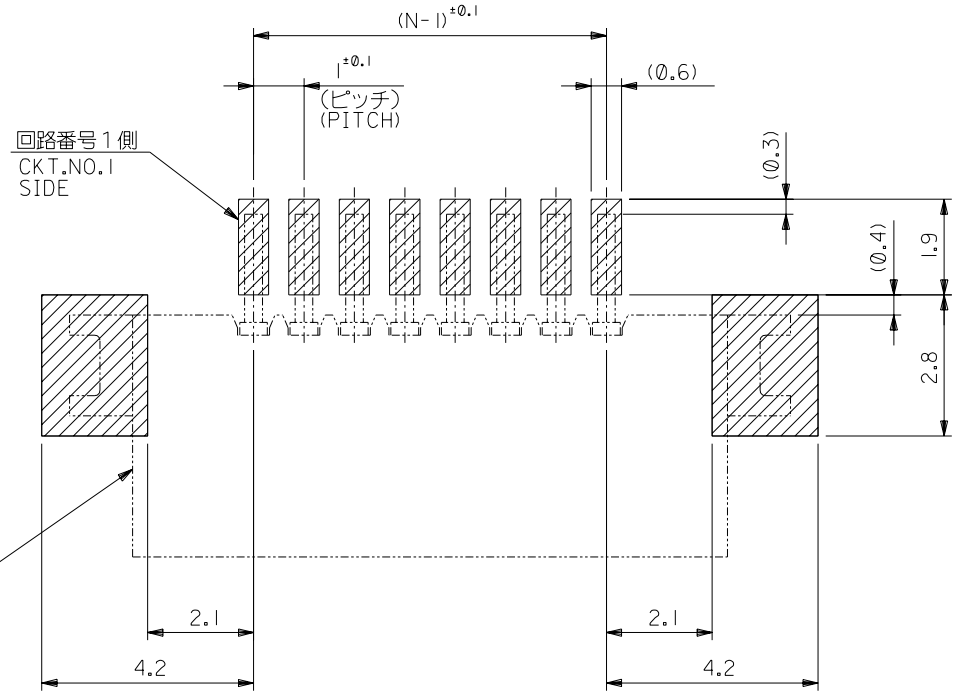
EC NO. DRWN: CHK: APPR:	EC NO. DRWN: CHK: APPR:	EC NO. DRWN: CHK: APPR:	EC NO. DRWN: CHK: APPR:	<p>RELEASED</p> <p>EC NO. J2004-1419</p> <p>DRWN: H.KAWABATA '03/12/09</p> <p>CHK: K.TOJO '03/12/09</p> <p>APPR: H. Sasaki '03/12/09</p>	<p>MATERIAL 材料</p> <p>FINISH 仕上げ</p> <p>WIRE RANGE 適用電線範囲</p> <p>INS. RANGE 被覆外径</p>	<p>GENERAL TOLERANCES: (UNLESS SPECIFIED) 一般公差</p> <p>10 UNDER 未満 ±0.2</p> <p>10 OVER 以上 30 UNDER 未満 ±0.25</p> <p>30 OVER 以上 ±0.3</p> <p>ANGLE 角度 ±3°</p>	<p>SCALE 10:1</p> <p>DESIGN UNITS <input checked="" type="checkbox"/>mm <input type="checkbox"/>INCH</p> <p>DRAWN BY &amp; DATE H.KAWABATA '03/12/09</p> <p>CHECKED BY &amp; DATE K.TOJO '03/12/09</p> <p>APPROVED BY &amp; DATE H. Sasaki '03/12/09</p> <p>CAD FILENAME SD-52793-011.S01</p>	<p>DIMENSIONS: <input type="checkbox"/>mm <input type="checkbox"/>INCH <input checked="" type="checkbox"/>mm ONLY</p> <p>SHT REV ON CAD ONLY</p> <p>TITLE: 1.0 FFC CONN. NON ZIF SMT R/A (UPPER CONTACT) -LEAD FREE-</p> <p>MOLEX MOLEX INCORPORATED</p> <p>MATERIAL NO. 52793-**19</p> <p>DRAWING NO. SD-52793-011</p> <p>SHEET NO. 1 OF 2</p>
----------------------------------	----------------------------------	----------------------------------	----------------------------------	--	--	---	---	---

DWG. NO. SD-52793-011

8 7 6 5 4 3 2 1



(仕上がり厚さ0.3<sup>±0.03</sup>)  
THICKNESS  
適合FPC推奨寸法  
APPLICABLE FPC  
RECOMMENDED DIMENSION.



参考基板レイアウト (マウント面)  
RECOMMENDED P.C.BOARD  
PATTERN DIMENSION. (REF.)  
(MOUNTING AREA)

注記 NOTES:

1. 使用材料 MATERIAL  
 ハウジング : PPS, UL94V-0  
 ターミナル : リン青銅 (t=0.25)  
 メッキ : ニッケル下地錫ピスマスメッキ  
 金具 : リン青銅 (t=0.25)  
 メッキ : ニッケル下地純錫メッキ  
 HOUSING : PPS, UL94V-0  
 TERMINAL : PHOSPHOR BRONZE  
 PLATING : Sn-Bi OVER Ni  
 FITTING NAIL : PHOSPHOR BRONZE  
 PLATING : Sn OVER Ni
2. 基準面 [E] からのソルダータールとフィッティングネイルの半田付け面のズレ量は、  
 上方向に0.1MAX. 下方向0.15MAX. とする。  
 MISALIGNMENT OF SOLDER TAIL AND FITTING NAIL FROM [E]  
 : UPPER DIRECTION 0.1 MAX. , LOWER DIRECTION 0.15 MAX.
3. 偶数極に適用。  
 APPLY FOR EVEN CKT.

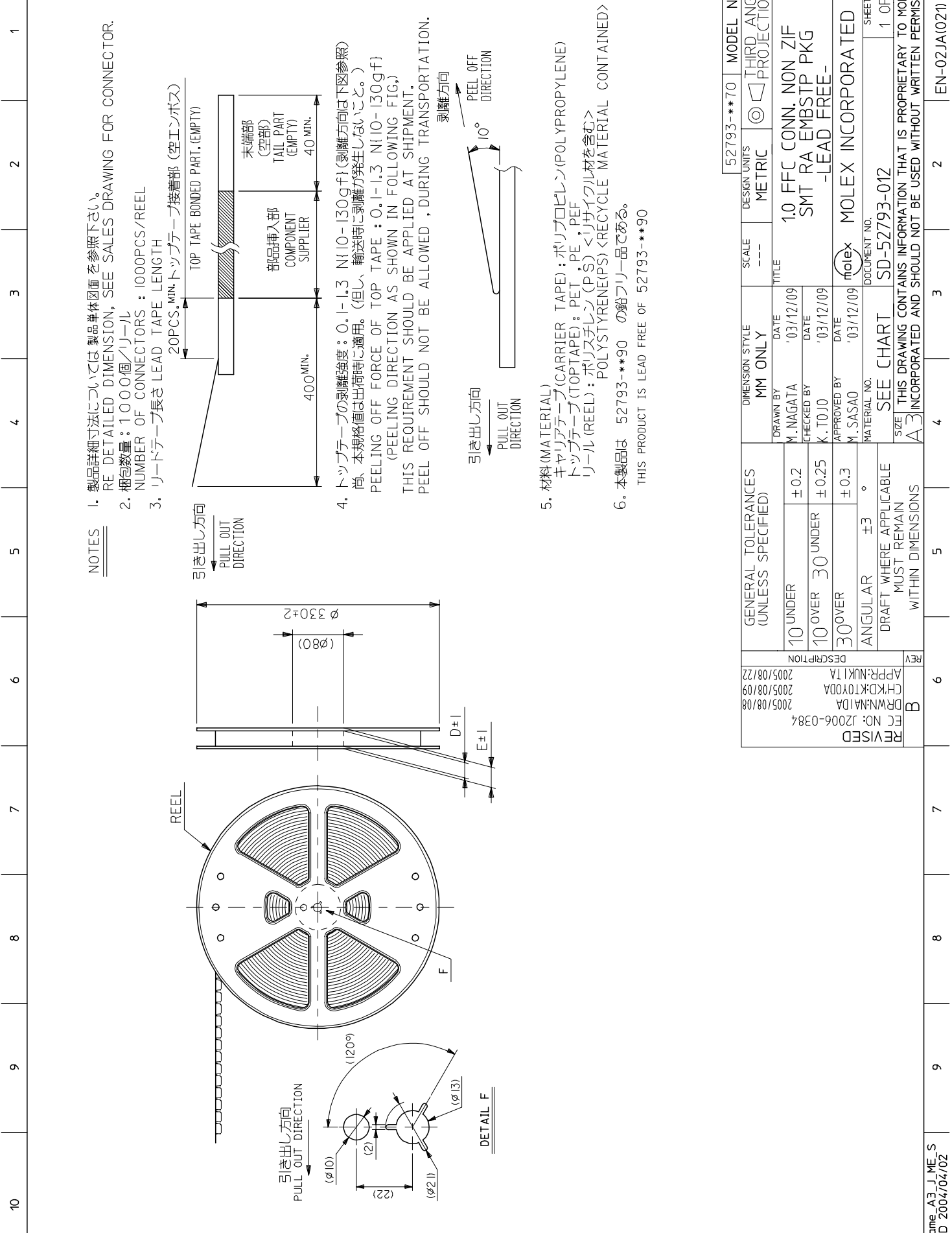
4. 本製品は 52793-\*\*10 の鉛フリー品である。  
THIS PRODUCT IS LEAD FREE OF 52793-\*\*10

DO NOT SCALE DRAWING

EC NO. DRAWN: CHK'g: APPR'g:	EC NO. DRAWN: CHK'g: APPR'g:	EC NO. DRAWN: CHK'g: APPR'g:	EC NO. DRAWN: CHK'g: APPR'g:	SEE SHEET 1 OF 2 EC NO. DRAWN: CHK'g: APPR'g:	0 REV	DESCRIPTION MATERIAL 材料 注記参照 SEE NOTES FINISH 仕上げ // WIRE RANGE 適用電線範囲 // INS. RANGE 被覆外径 //	GENERAL TOLERANCES: (UNLESS SPECIFIED) 一般公差 10 UNDER 未満 ±0.2 10 OVER 以上 30 UNDER 未満 ±0.25 30 OVER 以上 ±0.3 ANGLE 角度 ±3°	SCALE 10:1 DRAWN BY & DATE H.KAWABATA '03/12/09 CHECKED BY & DATE K.TOJO '03/12/09 APPROVED BY & DATE M. Saitoh '03/12/09 CAD FILENAME SD-52793-011.S02	DESIGN UNITS mm INCH THIRD ANGLE PROJECTION TITLE: 1.0 FFC CONN. NON ZIF SMT R/A (UPPER CONTACT) -LEAD FREE- MOLEX MOLEX INCORPORATED	DIMENSIONS: mm INCH mm ONLY SHT REV REVISE ON CAD ONLY	MATERIAL NO. 52793-**19 DRAWING NO. SD-52793-011 SHEET NO. 2 OF 2	THIS DRAWING CONTAINS INFORMATION THAT IS PROPRIETARY TO MOLEX INCORPORATED AND SHOULD NOT BE USED WITHOUT WRITTEN PERMISSION. SIZE B
---------------------------------------	---------------------------------------	---------------------------------------	---------------------------------------	---	----------	---	--	--	--	--	--	---

8 7 6 5 4 3 2 1

SD-52793-011US02



- NOTES**
- 製品詳細寸法については 製品単体図面 を参照下さい。  
RE DETAILED DIMENSION, SEE SALES DRAWING FOR CONNECTOR.
  - 梱包数量: 1000個/リール  
NUMBER OF CONNECTORS: 1000PCS/REEL
  - リードテープ長さ LEAD TAPE LENGTH  
20PCS. MIN. トップテープ接着部 (空エンボス)  
TOP TAPE BONDED PART. (EMPTY)

引き出し方向  
PULL OUT DIRECTION

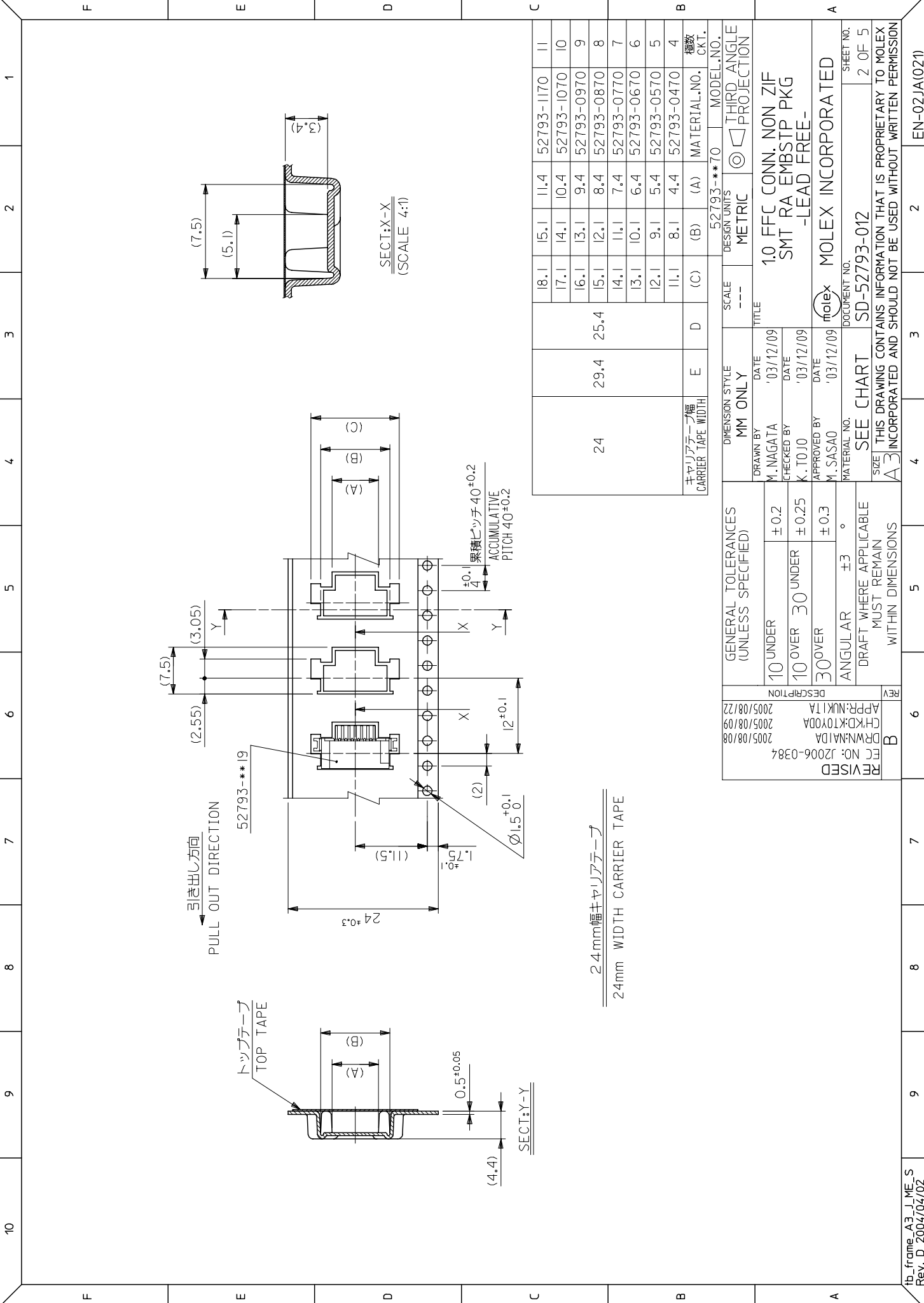
剥離方向  
PEEL OFF DIRECTION

4. トップテープの剥離強度: 0.1-1.3 N/10-130gf (剥離方向は下図参照) 尚、本規格値は出荷時に適用。(但し、輸送時に剥離が発生しないこと。)  
PEELING OFF FORCE OF TOP TAPE: 0.1-1.3 N/10-130gf (PEELING DIRECTION AS SHOWN IN FOLLOWING FIG.) THIS REQUIREMENT SHOULD BE APPLIED AT SHIPMENT. PEEL OFF SHOULD NOT BE ALLOWED, DURING TRANSPORTATION.

5. 材料 (MATERIAL)  
キャリアテープ (CARRIER TAPE): ポリプロピレン (POLYPROPYLENE)  
キャリアテープ (TOPTAPE): PET, PE, PEF  
リール (REEL): ポリスチレン (PS) <リサイクル材を含む>  
POLYSTYRENE (PS) <RECYCLE MATERIAL CONTAINED>

6. 本製品は 52793-\*\*90 の鉛フリー品である。  
THIS PRODUCT IS LEAD FREE OF 52793-\*\*90

GENERAL TOLERANCES (UNLESS SPECIFIED)		DIMENSION STYLE	SCALE	DESIGN UNITS	MODEL NO.
10 UNDER	±0.2	MM ONLY	---	METRIC	52793-**70
10 OVER	±0.25	DRAWN BY		THIRD ANGLE PROJECTION	
30 OVER	±0.3	M. NAGATA			
ANGULAR	±3°	CHECKED BY			
DRAFT WHERE APPLICABLE MUST REMAIN WITHIN DIMENSIONS		K. TOJO			
REVISED		APPROVED BY			
FC NO: J2006-0384		M. SASAO			
DRWN: NADA		MATERIAL NO.			
CHKD: KTOYODA		DOCUMENT NO.			
APPR: NUKITA		SEE CHART			
2005/08/09		SIZE			
2005/08/22		A3			
DESCRIPTION		TITLE		SHEET NO.	
REV		1.0 FFC CONN. NON ZIF SMT RA EMBSTP PKG -LEAD FREE-		1 OF 5	
B		1.0 FFC CONN. NON ZIF SMT RA EMBSTP PKG -LEAD FREE-		SD-52793-012	
		MOLEX INCORPORATED		MOLEX INCORPORATED	
		THIS DRAWING CONTAINS INFORMATION THAT IS PROPRIETARY TO MOLEX INCORPORATED AND SHOULD NOT BE USED WITHOUT WRITTEN PERMISSION			
		INCORPORATED			
		2			
		3			
		4			
		5			
		6			
		7			
		8			
		9			
		10			

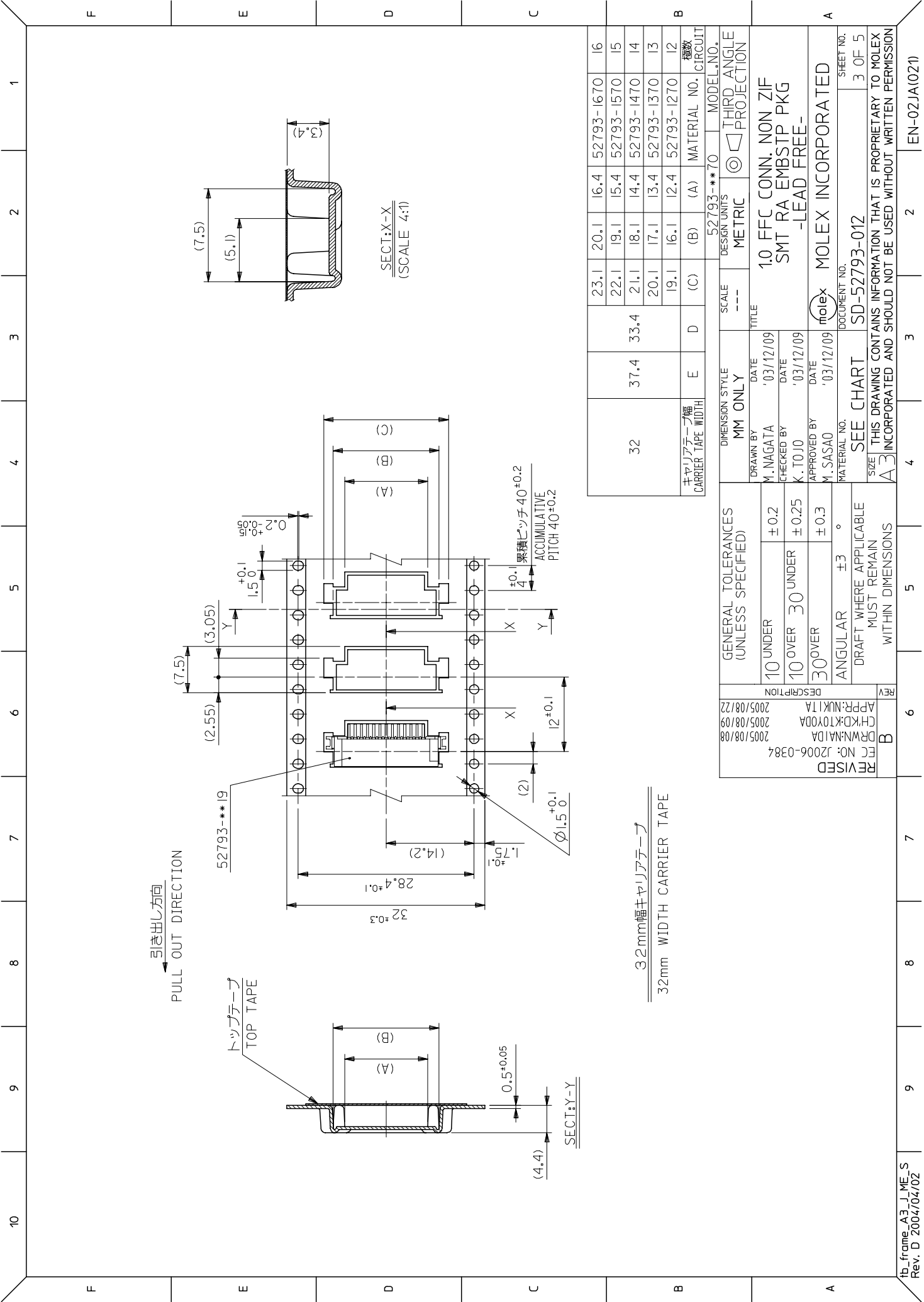


キャリアテープ幅 CARRIER TAPE WIDTH	E	D	(C)	(B)	(A)	(A)	種数 CKT.
18.1	15.1	11.4	52793-1170	11			
17.1	14.1	10.4	52793-1070	10			
16.1	13.1	9.4	52793-0970	9			
15.1	12.1	8.4	52793-0870	8			
14.1	11.1	7.4	52793-0770	7			
13.1	10.1	6.4	52793-0670	6			
12.1	9.1	5.4	52793-0570	5			
11.1	8.1	4.4	52793-0470	4			

DIMENSION STYLE		SCALE	DESIGN UNITS	MODEL NO.
MM ONLY	---	---	METRIC	52793-***70
DRAWN BY		DATE	THIRD ANGLE PROJECTION	
M. NAGATA		'03/12/09		
CHECKED BY		DATE		
K. TOJO		'03/12/09		
APPROVED BY		DATE		
M. SASAO		'03/12/09		
MATERIAL NO.		DOCUMENT NO.		
SEE CHART		SD-52793-012		
SIZE		THIS DRAWING CONTAINS INFORMATION THAT IS PROPRIETARY TO MOLEX INCORPORATED AND SHOULD NOT BE USED WITHOUT WRITTEN PERMISSION		
A3				

GENERAL TOLERANCES (UNLESS SPECIFIED)	
10 UNDER	$\pm$ 0.2
10 OVER	$\pm$ 0.25
30 OVER	$\pm$ 0.3
ANGULAR	$\pm$ 3°
DRAFT WHERE APPLICABLE MUST REMAIN WITHIN DIMENSIONS	

REVISION		DESCRIPTION	
REVISED	FC NO: J2006-0384	DRWN: NADA	2005/08/08
		CHK: KTOYODA	2005/08/09
		APPR: NUKITA	2005/08/22



引き出し方向  
PULL OUT DIRECTION

トップテープ  
TOP TAPE

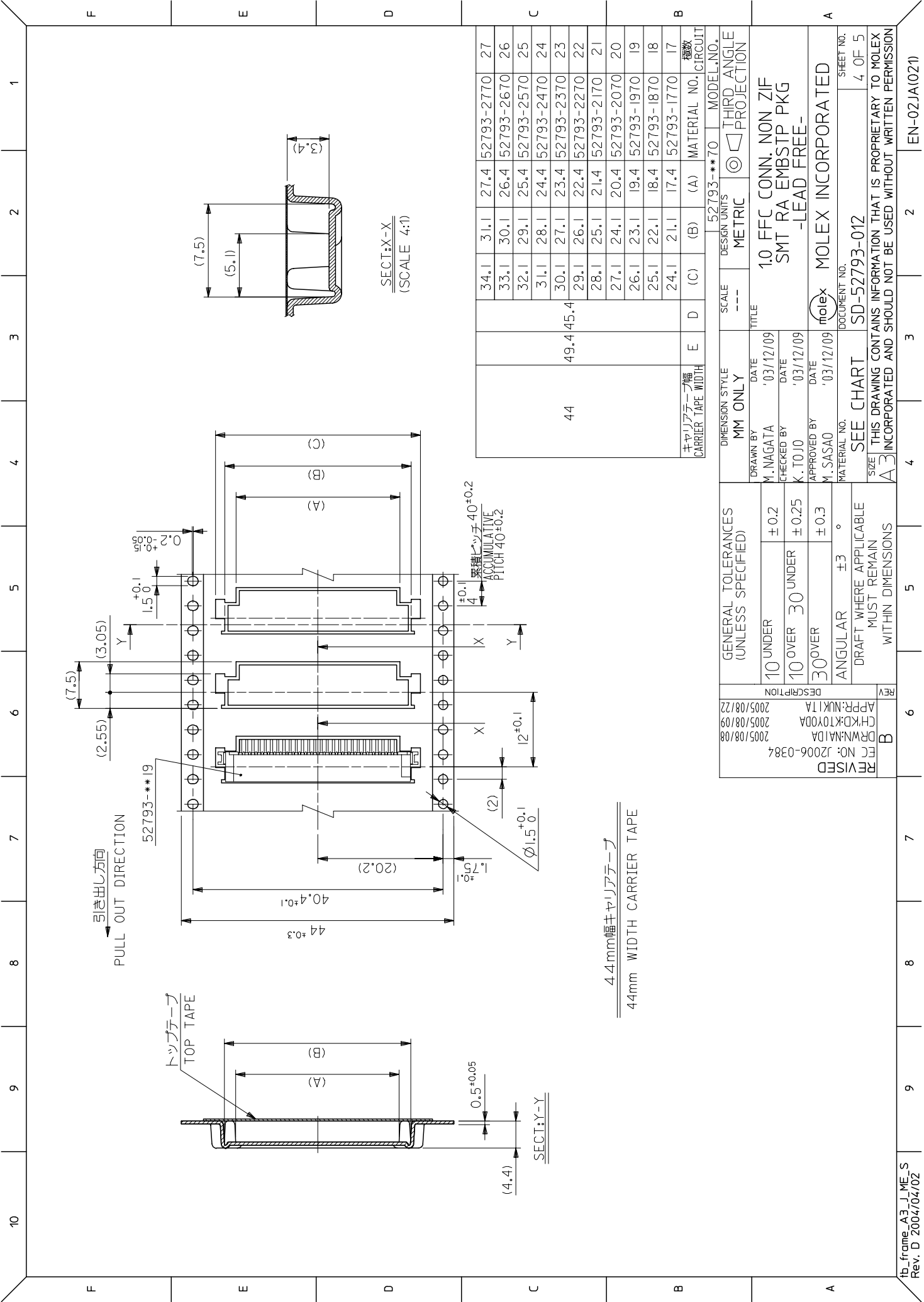
SECT: X-X  
(SCALE 4:1)

SECT: Y-Y

32mm幅キャリアテープ  
32mm WIDTH CARRIER TAPE

キャリアテープ幅 CARRIER TAPE WIDTH	E	D	(C)	(B)	(A)	(B)	(A)	MATERIAL NO.	CIRCUIT	種数
32	37.4	33.4	23.1	20.1	16.4	52793-1670	16	52793-1670	MODEL NO.	
			22.1	19.1	15.4	52793-1570	15	52793-1570	DESIGN UNITS	
			21.1	18.1	14.4	52793-1470	14	52793-1470	METRIC	
			20.1	17.1	13.4	52793-1370	13	52793-1370	THIRD ANGLE	
			19.1	16.1	12.4	52793-1270	12	52793-1270	PROJECTION	

GENERAL TOLERANCES (UNLESS SPECIFIED)		SCALE	---	TITLE	1.0 FFC CONN. NON ZIF SMT RA EMBSTP PKG -LEAD FREE-	
10 UNDER	± 0.2	DIMENSION STYLE	MM ONLY	DATE	03/12/09	
10 OVER	30 UNDER	DRAWN BY	M. NAGATA	CHECKED BY	K. TOJO	
30 OVER	± 0.25	APPROVED BY	M. SASAO	DATE	03/12/09	
ANGULAR	± 3	MATERIAL NO.	MOLEX INCORPORATED			
DRAFT WHERE APPLICABLE MUST REMAIN WITHIN DIMENSIONS		SEE CHART	SD-52793-012		SHEET NO. 3 OF 5	
THIS DRAWING CONTAINS INFORMATION THAT IS PROPRIETARY TO MOLEX INCORPORATED AND SHOULD NOT BE USED WITHOUT WRITTEN PERMISSION						



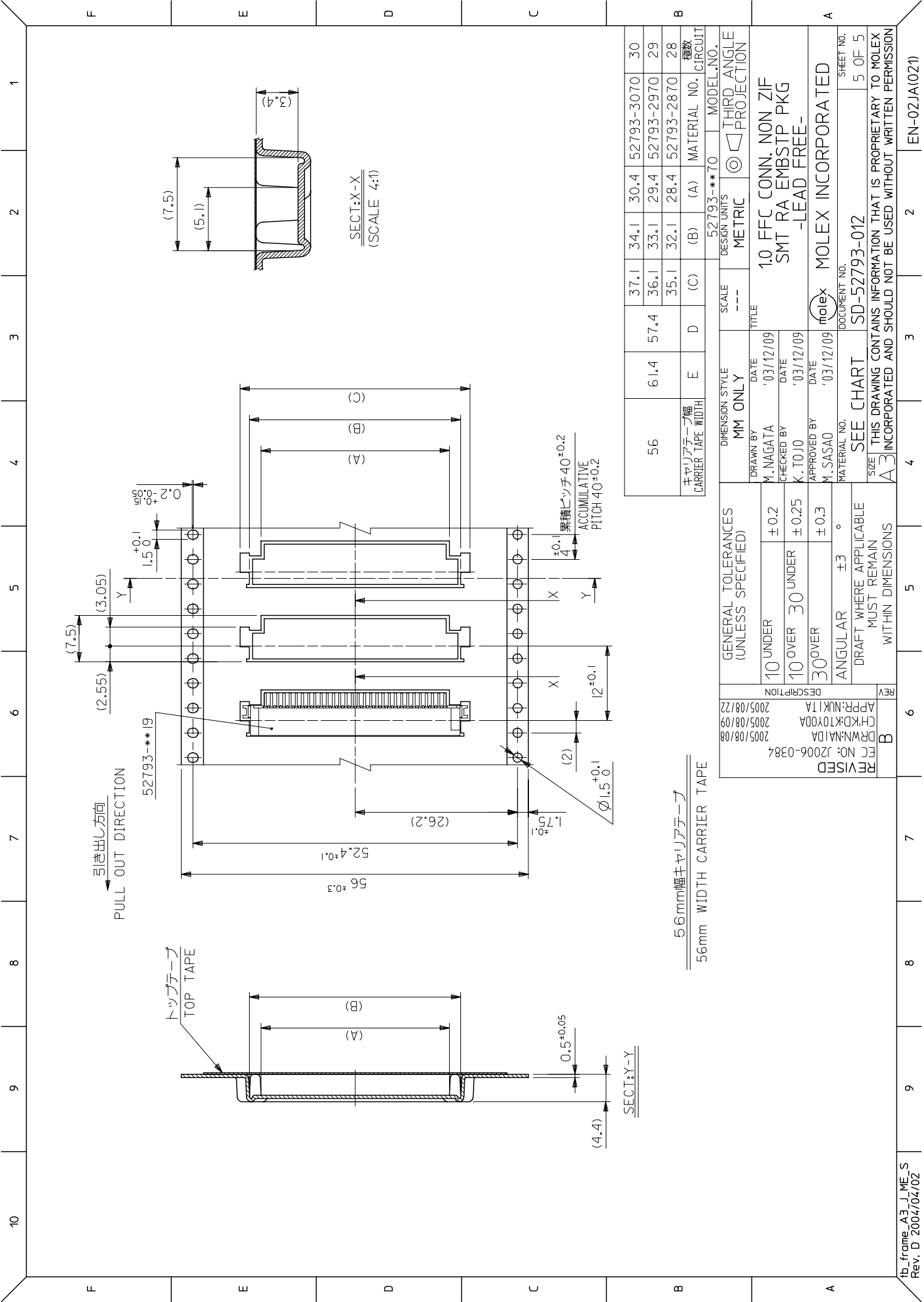
4.4mm幅キャリアテープ  
44mm WIDTH CARRIER TAPE

キャリアテープ幅 CARRIER TAPE WIDTH	E	D	(C)	(B)	(A)	MATERIAL NO.	種数 CIRCUIT
44	49.4	45.4	30.1	27.1	23.4	52793-2370	23
			29.1	26.1	22.4	52793-2270	22
			28.1	25.1	21.4	52793-2170	21
			27.1	24.1	20.4	52793-2070	20
			26.1	23.1	19.4	52793-1970	19
			25.1	22.1	18.4	52793-1870	18
			24.1	21.1	17.4	52793-1770	17
			34.1	31.1	27.4	52793-2770	27
			33.1	30.1	26.4	52793-2670	26
			32.1	29.1	25.4	52793-2570	25
			31.1	28.1	24.4	52793-2470	24

GENERAL TOLERANCES (UNLESS SPECIFIED)	SCALE	DESIGN UNITS	MODEL NO.
10 UNDER ±0.2	---	METRIC	52793-**-70
10 OVER 30 UNDER ±0.25			
30 OVER ±0.3			
ANGULAR ±3°			
DRAFT WHERE APPLICABLE MUST REMAIN WITHIN DIMENSIONS			

DESCRIPTION	DATE	DATE	TITLE
REVISED	2005/08/08	'03/12/09	1.0 FFC CONN. NON ZIF
FC NO: J2006-0384	DRWN:NAIDA	'03/12/09	SMT RA EMBSTP PKG
CHKD:KTOYODA	CHEKED BY		-LEAD FREE-
APPR:NUKITA	DATE		

REV	DESCRIPTION	DATE	DATE	TITLE
B	REVISED	2005/08/08	'03/12/09	1.0 FFC CONN. NON ZIF
	FC NO: J2006-0384	DRWN:NAIDA	'03/12/09	SMT RA EMBSTP PKG
	CHKD:KTOYODA	CHEKED BY		-LEAD FREE-
	APPR:NUKITA	DATE		



56	61.4	57.4	37.1	34.1	30.4	52793-3070	30
			36.1	33.1	29.4	52793-2970	29
			35.1	32.1	28.4	52793-2870	28
キャリアテープ幅 CARRIER TAPE WIDTH	E	D	(C)	(B)	(A)	MATERIAL NO. (CIRCUIT BOARD)	種数
						52793-***70	MODEL NO.
						DESIGN UNITS	THIRD ANGLE PROJECTION
						METRIC	
						TITLE	
						1.0 FFC CONN. NON ZIF	
						SMT RA EMBSTP PKG	
						-LEAD FREE-	
						MOLEX INCORPORATED	
						DOCUMENT NO.	SHEET NO.
						SD-52793-012	5 OF 5
						SEE CHART	
						THIS DRAWING CONTAINS INFORMATION THAT IS PROPRIETARY TO MOLEX	
						A3 INCORPORATED AND SHOULD NOT BE USED WITHOUT WRITTEN PERMISSION	

56mm幅キャリアテープ  
56mm WIDTH CARRIER TAPE

SECT: Y-Y

SECT: X-X  
(SCALE 4:1)

トッパテープ  
TOP TAPE

引き出し方向  
PULL OUT DIRECTION

52793-\*\*\*19

累積ピッチ  $40 \pm 0.2$   
ACCUMULATIVE PITCH  $40 \pm 0.2$

果積ピッチ  $40 \pm 0.2$   
ACCUMULATIVE PITCH  $40 \pm 0.2$

1.75 $\pm$ 0.1

12 $\pm$ 0.1

1.5 $\pm$ 0.1

0.2 $\pm$ 0.05

0.1

1.5

0.1

Y

X

XI

Y

Y

(7.5)

(2.55)

(3.05)

(26.2)

52.4 $\pm$ 0.1

56 $\pm$ 0.3

(A)

(B)

(C)

(3.4)

(5.1)

(7.5)

56mm幅キャリアテープ  
56mm WIDTH CARRIER TAPE

SECT: Y-Y

SECT: X-X  
(SCALE 4:1)

トッパテープ  
TOP TAPE

引き出し方向  
PULL OUT DIRECTION

52793-\*\*\*19

累積ピッチ  $40 \pm 0.2$   
ACCUMULATIVE PITCH  $40 \pm 0.2$

果積ピッチ  $40 \pm 0.2$   
ACCUMULATIVE PITCH  $40 \pm 0.2$

1.75 $\pm$ 0.1

12 $\pm$ 0.1

1.5 $\pm$ 0.1

0.2 $\pm$ 0.05

0.1

1.5

0.1

Y

X

XI

Y

Y

(7.5)

(2.55)

(3.05)

(26.2)

52.4 $\pm$ 0.1

56 $\pm$ 0.3

(A)

(B)

(C)

(3.4)

(5.1)

(7.5)