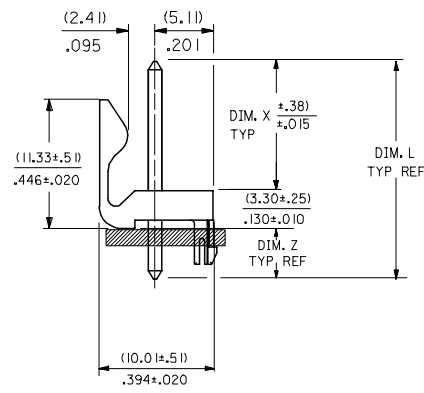
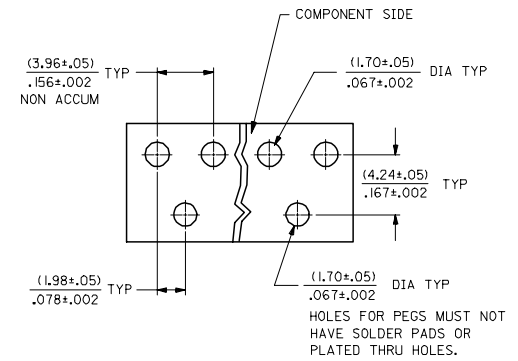
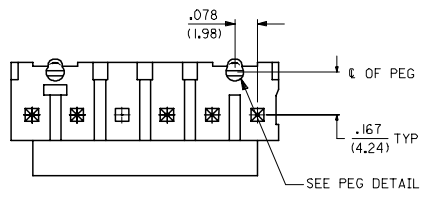
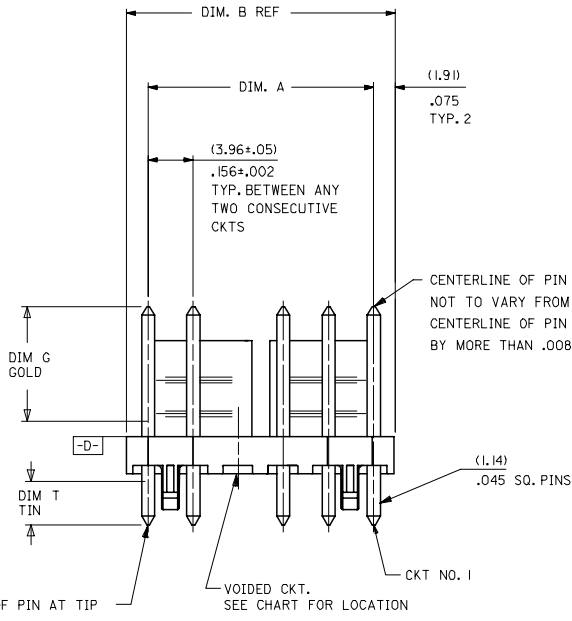


PEG DETAIL



CENTERLINE OF PIN AT TIP
NOT TO VARY FROM
CENTERLINE OF PIN AT DATUM -D-
BY MORE THAN .005 IN ANY DIRECTION



RECOMMENDED PC BOARD HOLE LAYOUT
FOR .062 THK PCB

NO. OF CKT'S.	DIM. A	DIM. B	NO. OF PEGS
2	(3.96±.05) / .156±.002	(7.77) / .306	1
3	(7.92±.08) / .312±.003	(11.73) / .462	2
4	(11.89±.08) / .468±.003	(15.70) / .618	2
5	(15.85±.10) / .624±.004	(19.66) / .774	2
6	(19.81±.10) / .780±.004	(23.62) / .930	2
7	(23.77±.10) / .936±.004	(27.58) / 1.086	2
8	(27.74±.13) / 1.092±.005	(31.55) / 1.242	2
9	(31.70±.13) / 1.248±.005	(35.51) / 1.398	2
10	(35.66±.13) / 1.404±.005	(39.47) / 1.554	2
11	(39.62±.15) / 1.560±.006	(43.43) / 1.710	2
12	(43.59±.15) / 1.716±.006	(47.40) / 1.866	2
13	(47.55±.15) / 1.872±.006	(51.36) / 2.022	2
14	(51.51±.18) / 2.028±.007	(55.32) / 2.178	2
15	(55.47±.18) / 2.184±.007	(59.28) / 2.334	2
16	(59.44±.18) / 2.340±.007	(63.25) / 2.490	2
17	(63.40±.20) / 2.496±.008	(67.21) / 2.646	2
18	(67.36±.20) / 2.652±.008	(71.17) / 2.802	2

NOTES:

- SOLDERABILITY: WHEN PARTS ARE SOLDERED AT A TEMPERATURE OF 230°C (446°F) FOR 5 SECONDS, EACH SOLDERED SURFACE SHALL BE A MINIMUM OF 95% COVERED WITH A SMOOTH CONTINUOUS ADHERENT COATING. FOR OTHER INFORMATION SEE ES-152.
- PIN PUSH OUT FORCE: PRIOR TO SOLDERING, A 3 POUND MINIMUM FORCE (IN EITHER DIRECTION) SHALL BE REQUIRED TO PUSH THE PIN OUT OF THE HEADER.
- FOR ADDITIONAL INFORMATION AND TESTING PROCEDURES SEE PS-08-50.
- PARTS ARE STACKABLE END TO END ON (3.96) / .156 CENTERS.
- FOR PART WITHOUT PEG SEE DWG. NO. SDA-41791

MATERIAL: HEADER: GLASS FILLED POLYESTER, 94V-0, MOLDED NATURAL (WHITE).

FINISH: PER ES-88

- (102) OVERALL TIN: 5.08 MICROMETERS MIN OVER 2.54 MIN COPPER.
- (154) OVERALL TIN: 2.54 MICROMETERS MIN OVER 1.27 MIN NICKEL.

- (208) SELECT GOLD: 0.38 MICROMETERS MIN,
 - SELECT TIN: 2.54 MICROMETERS MIN,
 - OVERALL NICKEL UNDERPLATE: 1.27 MICROMETERS MIN.
- (228) SELECT GOLD: 0.76 MICROMETERS MIN,
 - SELECT TIN: 2.54 MICROMETERS MIN,
 - OVERALL NICKEL UNDERPLATE: 1.27 MICROMETERS MIN.

*THE PRIMARY SHIPPING CARTON WILL BE LABELED "COMPLIANT TO ROHS DIRECTIVE 2002/95/EC AND ELV ANNEX II OF DIRECTIVE 2000/53/EC". CARTONS WITHOUT THIS LABEL MAY CONTAIN PRODUCT WITH TIN-LEAD PLATING.

ME10 & ADD PARTS EC NO: UCP2005-1109 DRW:ADRA1NOL 2004/12/23 CHKD: SAMIEC 2008/05/04/05 APPR: YMAR/GJULIUS 2008/05/07/02	QUALITY SYMBOLS ▽=0 ▽=0	GENERAL TOLERANCES (UNLESS SPECIFIED) mm INCH 4 PLACES ± --- ± --- 3 PLACES ± --- ± --- 2 PLACES ± --- ± --- 1 PLACE ± --- ± --- ANGULAR ±1/2°	DIMENSION STYLE MM/IN DRAWN BY: SAMIEC DATE: 01/16/91 CHECKED BY: PATEL DATE: 01/16/91 APPROVED BY: LENZ DATE: 01/16/91	SCALE: --- DESIGN UNITS: METRIC THIRD ANGLE PROJECTION
	DRAFT WHERE APPLICABLE MUST REMAIN WITHIN DIMENSIONS			MATERIAL NO.: SEE CHART DOCUMENT NO.: SDA-42891
	SHEET NO.: 1 OF 4			MOLEX INCORPORATED
	THIS DRAWING CONTAINS INFORMATION THAT IS PROPRIETARY TO MOLEX INCORPORATED AND SHOULD NOT BE USED WITHOUT WRITTEN PERMISSION			

13	12	11	10	9	8	7	6	5	4	3	2	1
ENG. NO.	HEADER NO.	PLN NO.	PLT	DIM. L	DIM. X	DIM. G GOLD	DIM. Z	DIM. T TIN	NO OF CKTS	VOID CKTS	PACKAGING	EDPS NO ON COL
A-42891-00002/0018	41790-0053/0069	2161-94(102)	102	.720 (18,29)	.450 (11,43)	N/A	.140 (3,56)	OVERALL	2-18	NONE	BULK PER PK-42491-001	1
A-42891-0120/0136	41790-0053/0069	43294-0209	208	.720 (18,29)	.450 (11,43)	.270 (6,86)	.140 (3,56)	.160 (4,06)	2-18	NONE	BULK PER PK-42491-001	2
A-42891-0137/0153	41790-0053/0069	43294-0210	228	.720 (18,29)	.450 (11,43)	.270 (6,86)	.140 (3,56)	.160 (4,06)	2-18	NONE	BULK PER PK-42491-001	3

A-42891-0002/0018												
A-42891-0120/0136												
A-42891-0137/0153												
EDP NO.	ENG. NO.	NO OF CKTS	EDP NO.	ENG. NO.	NO OF CKTS	EDP NO.	ENG. NO.	NO OF CKTS	EDP NO.	ENG. NO.	NO OF CKTS	EDP NO.
26-60-6020	A-42891-0002	2	42891-0120	A-42891-0120	2	42891-0137	A-42891-0137	2				
26-60-6030	A-42891-0003	3	42891-0121	A-42891-0121	3	42891-0138	A-42891-0138	3				
26-60-6040	A-42891-0004	4	42891-0122	A-42891-0122	4	42891-0139	A-42891-0139	4				
26-60-6050	A-42891-0005	5	42891-0123	A-42891-0123	5	42891-0140	A-42891-0140	5				
26-60-6060	A-42891-0006	6	42891-0124	A-42891-0124	6	42891-0141	A-42891-0141	6				
26-60-6070	A-42891-0007	7	42891-0125	A-42891-0125	7	42891-0142	A-42891-0142	7				
26-60-6080	A-42891-0008	8	42891-0126	A-42891-0126	8	42891-0143	A-42891-0143	8				
26-60-6090	A-42891-0009	9	42891-0127	A-42891-0127	9	42891-0144	A-42891-0144	9				
26-60-6100	A-42891-0010	10	42891-0128	A-42891-0128	10	42891-0145	A-42891-0145	10				
26-60-6110	A-42891-0011	11	42891-0129	A-42891-0129	11	42891-0146	A-42891-0146	11				
26-60-6120	A-42891-0012	12	42891-0130	A-42891-0130	12	42891-0147	A-42891-0147	12				
26-60-6130	A-42891-0013	13	42891-0131	A-42891-0131	13	42891-0148	A-42891-0148	13				
26-60-6140	A-42891-0014	14	42891-0132	A-42891-0132	14	42891-0149	A-42891-0149	14				
26-60-6150	A-42891-0015	15	42891-0133	A-42891-0133	15	42891-0150	A-42891-0150	15				
26-60-6160	A-42891-0016	16	42891-0134	A-42891-0134	16	42891-0151	A-42891-0151	16				
26-60-6170	A-42891-0017	17	42891-0135	A-42891-0135	17	42891-0152	A-42891-0152	17				
26-60-6180	A-42891-0018	18	42891-0136	A-42891-0136	18	42891-0153	A-42891-0153	18				

A-42891-0002/0018												
A-42891-0120/0136												
A-42891-0137/0153												
EDP NO.	ENG. NO.	NO OF CKTS	EDP NO.	ENG. NO.	NO OF CKTS	EDP NO.	ENG. NO.	NO OF CKTS	EDP NO.	ENG. NO.	NO OF CKTS	EDP NO.
26-60-6020	A-42891-0002	2	42891-0120	A-42891-0120	2	42891-0137	A-42891-0137	2				
26-60-6030	A-42891-0003	3	42891-0121	A-42891-0121	3	42891-0138	A-42891-0138	3				
26-60-6040	A-42891-0004	4	42891-0122	A-42891-0122	4	42891-0139	A-42891-0139	4				
26-60-6050	A-42891-0005	5	42891-0123	A-42891-0123	5	42891-0140	A-42891-0140	5				
26-60-6060	A-42891-0006	6	42891-0124	A-42891-0124	6	42891-0141	A-42891-0141	6				
26-60-6070	A-42891-0007	7	42891-0125	A-42891-0125	7	42891-0142	A-42891-0142	7				
26-60-6080	A-42891-0008	8	42891-0126	A-42891-0126	8	42891-0143	A-42891-0143	8				
26-60-6090	A-42891-0009	9	42891-0127	A-42891-0127	9	42891-0144	A-42891-0144	9				
26-60-6100	A-42891-0010	10	42891-0128	A-42891-0128	10	42891-0145	A-42891-0145	10				
26-60-6110	A-42891-0011	11	42891-0129	A-42891-0129	11	42891-0146	A-42891-0146	11				
26-60-6120	A-42891-0012	12	42891-0130	A-42891-0130	12	42891-0147	A-42891-0147	12				
26-60-6130	A-42891-0013	13	42891-0131	A-42891-0131	13	42891-0148	A-42891-0148	13				
26-60-6140	A-42891-0014	14	42891-0132	A-42891-0132	14	42891-0149	A-42891-0149	14				
26-60-6150	A-42891-0015	15	42891-0133	A-42891-0133	15	42891-0150	A-42891-0150	15				
26-60-6160	A-42891-0016	16	42891-0134	A-42891-0134	16	42891-0151	A-42891-0151	16				
26-60-6170	A-42891-0017	17	42891-0135	A-42891-0135	17	42891-0152	A-42891-0152	17				
26-60-6180	A-42891-0018	18	42891-0136	A-42891-0136	18	42891-0153	A-42891-0153	18				

STANDARD PRODUCTS

SEE SHEET I	A9	SEE SHEET I										
SEE SHEET I	A6	SEE SHEET I										
SEE SHEET I	A5	SEE SHEET I										
SEE SHEET I	A4	SEE SHEET I										
SEE SHEET I	A1	SEE SHEET I										
SEE SHEET I	A	SEE SHEET I										
SEE SHEET I	B	SEE SHEET I										
REVISIONS	LTR.	REVISIONS	LTR.	REVISIONS	LTR.	REVISIONS	LTR.	REVISIONS	LTR.	REVISIONS	LTR.	REVISIONS

DIMENSIONS SHOWN IN METRIC INCH
 UNLESS OTHERWISE SPECIFIED
 TOLERANCES: MILLIMETER ±.125
 INCH METRIC
 1 PLACE ±
 2 PLACE ±
 3 PLACE ±
 4 PLACE ±

PART NAME: FRICTION LOCK HEADER ASSY
 .1560 STR SQ PINS W/PECS
 42891 SERIES DWG
 MOLEX INCORPORATED
 6852
 U.S.A.
 DATE: 08/22/88
 SHEET NO.: 2
 DWG. NO.: SDA-42891
 FILE NAME: S42891X2
 THE DRAWING CONTAINS INFORMATION THAT IS PROPRIETARY TO MOLEX INC. AND SHOULD NOT BE USED WITHOUT WRITTEN PERMISSION.

