

Digitally Controlled Potentiometer (XDCP™)

The Intersil X9313 is a digitally controlled potentiometer (XDCP). The device consists of a resistor array, wiper switches, a control section, and nonvolatile memory. The wiper position is controlled by a 3-wire interface.

The potentiometer is implemented by a resistor array composed of 31 resistive elements and a wiper switching network. Between each element and at either end are tap points accessible to the wiper terminal. The position of the wiper element is controlled by the CS, U/D, and INC inputs. The position of the wiper can be stored in nonvolatile memory and then be recalled upon a subsequent power-up operation.

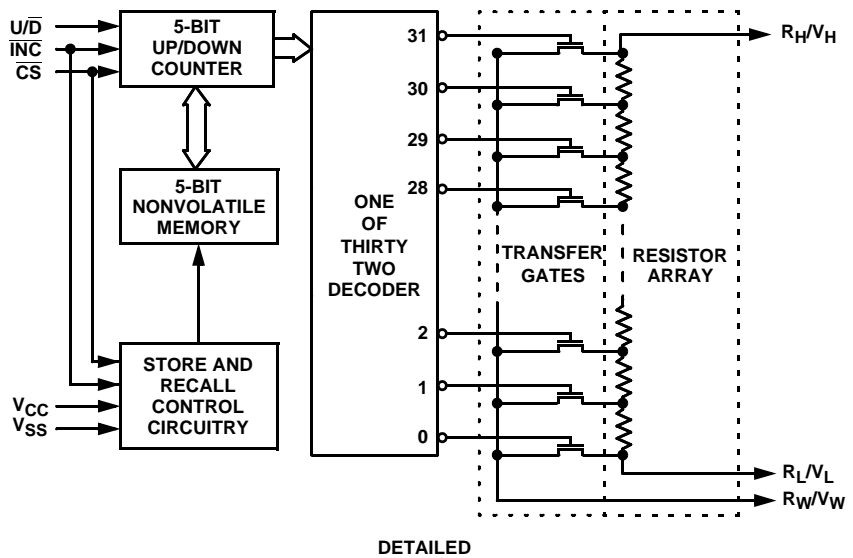
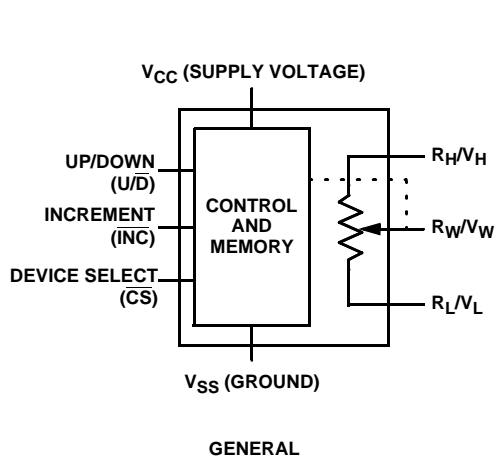
The device can be used as a three-terminal potentiometer or as a two-terminal variable resistor in a wide variety of applications including:

- Control
- Parameter adjustments
- Signal processing

Features

- Solid-state potentiometer
- 3-wire serial interface
- 32 wiper tap points
 - Wiper position stored in nonvolatile memory and recalled on power-up
- 31 resistive elements
 - Temperature compensated
 - End to end resistance range ± 20%
 - Terminal voltages, -5V to +5V
- Low power CMOS
 - V_{CC} = 3V or 5V
 - Active current, 3mA max.
 - Standby current, 500µA max.
- High reliability
 - Endurance, 100,000 data changes per bit
 - Register data retention, 100 years
- R_{TOTAL} values = 1kΩ, 10kΩ, 50kΩ
- Packages
 - 8 Ld SOIC, MSOP and DIP
- Pb-free plus anneal available (RoHS compliant)

Block Diagrams



X9313

Ordering Information

PART NUMBER	PART MARKING	V _{CC} RANGE (V)	R _{TOTAL} (kΩ)	TEMPERATURE RANGE (°C)	PACKAGE
X9313UM*	313U	4.5 to 5.5	50	0 to 70	8 Ld MSOP
X9313UMZ* (Note)	DDC			0 to 70	8 Ld MSOP (Pb-free)
X9313UMI*	13UI			-40 to 85	8 Ld MSOP
X9313UMIZ* (Note)	DDB			-40 to 85	8 Ld MSOP (Pb-free)
X9313UP	X9313UP			0 to 70	8 Ld PDIP
X9313UPI	X9313UP I			-40 to 85	8 Ld PDIP
X9313US*	X9313U			0 to 70	8 Ld SOIC
X9313USZ* (Note)	X9313U Z			0 to 70	8 Ld SOIC (Pb-free)
X9313USI*	X9313U I			-40 to 85	8 Ld SOIC
X9313USIZ* (Note)	X9313U Z I			-40 to 85	8 Ld SOIC (Pb-free)
X9313USM				0 to 70	8 Ld SOIC
X9313WM*	313W		10	0 to 70	8 Ld MSOP
X9313WMZ* (Note)	DDF			0 to 70	8 Ld MSOP (Pb-free)
X9313WMI*	13WI			-40 to 85	8 Ld MSOP
X9313WMIZ* (Note)	DDE			-40 to 85	8 Ld MSOP (Pb-free)
X9313WP	X9313WP			0 to 70	8 Ld PDIP
X9313WPI	X9313XP I			-40 to 85	8 Ld PDIP
X9313WS*	X9313WS			0 to 70	8 Ld SOIC
X9313WSZ* (Note)	X9313W Z			0 to 70	8 Ld SOIC (Pb-free)
X9313WSI*	X9313WS I			-40 to 85	8 Ld SOIC
X9313WSIZ* (Note)	X9313WS Z I			-40 to 85	8 Ld SOIC (Pb-free)
X9313WSMT2	X9313WS M	0 to 70		8 Ld SOIC Tape and Reel	
X9313ZM*	313Z	1		0 to 70	8 Ld MSOP
X9313ZMZ* (Note)	DDJ			0 to 70	8 Ld MSOP (Pb-free)
X9313ZMI*	13ZI			-40 to 85	8 Ld MSOP
X9313ZMIZ* (Note)	DDH			-40 to 85	8 Ld MSOP (Pb-free)
X9313ZP	X9313ZP			0 to 70	8 Ld PDIP
X9313ZPI	X9313ZP I			-40 to 85	8 Ld PDIP
X9313ZS*	X9313ZS			0 to 70	8 Ld SOIC
X9313ZSZ* (Note)	X9313 Z		0 to 70	8 Ld SOIC (Pb-free)	
X9313ZSI*	X9313ZS I		-40 to 85	8 Ld SOIC	
X9313ZSIZ* (Note)	X9313ZS Z I		-40 to 85	8 Ld SOIC (Pb-free)	

Ordering Information (Continued)

PART NUMBER	PART MARKING	V _{CC} RANGE (V)	R _{TOTAL} (kΩ)	TEMPERATURE RANGE (°C)	PACKAGE
X9313UM-3*	13UD	3 to 5.5	50	0 to 70	8 Ld MSOP
X9313UMZ-3* (Note)	DDD			0 to 70	8 Ld MSOP (Pb-free)
X9313UMI-3*	13UE			-40 to 85	8 Ld MSOP
X9313UMIZ-3* (Note)	13UE Z			-40 to 85	8 Ld MSOP (Pb-free)
X9313UP-3	X9313UP D			0 to 70	8 Ld PDIP
X9313US-3*	X9313U D			0 to 70	8 Ld SOIC
X9313USZ-3* (Note)	X9313U Z D			0 to 70	8 Ld SOIC (Pb-free)
X9313WM-3*	13WD		10	0 to 70	8 Ld MSOP
X9313WMZ-3* (Note)	DDG			0 to 70	8 Ld MSOP (Pb-free)
X9313WMI-3*	13WE			-40 to 85	8 Ld MSOP
X9313WMIZ-3* (Note)	13WE Z			-40 to 85	8 Ld MSOP (Pb-free)
X9313WP-3	X9313WP D			0 to 70	8 Ld PDIP
X9313WS-3*	X9313W D			0 to 70	8 Ld SOIC
X9313WSZ-3* (Note)	X9313W Z D			0 to 70	8 Ld SOIC (Pb-free)
X9313ZM-3*	13ZD	1	0 to 70	8 Ld MSOP	
X9313ZMZ-3* (Note)	DDK		0 to 70	8 Ld MSOP (Pb-free)	
X9313ZMI-3*	13ZE		-40 to 85	8 Ld MSOP	
X9313ZMIZ-3* (Note)	13ZE Z		-40 to 85	8 Ld MSOP (Pb-free)	
X9313ZP-3	X9313ZP D		0 to 70	8 Ld PDIP	
X9313ZS-3*	X9313Z D		0 to 70	8 Ld SOIC	
X9313ZSZ-3* (Note)	X9313Z Z D		0 to 70	8 Ld SOIC (Pb-free)	
X9313ZSI-3*	X9313Z E		-40 to 85	8 Ld SOIC	
X9313ZSIZ-3* (Note)	X9313Z Z E		-40 to 85	8 Ld SOIC (Pb-free)	

NOTE: Intersil Pb-free plus anneal products employ special Pb-free material sets; molding compounds/die attach materials and 100% matte tin plate termination finish, which are RoHS compliant and compatible with both SnPb and Pb-free soldering operations. Intersil Pb-free products are MSL classified at Pb-free peak reflow temperatures that meet or exceed the Pb-free requirements of IPC/JEDEC J STD-020.

*Add "T1" suffix for tape and reel.

Pin Descriptions

R_H/V_H and R_L/V_L

The high (R_H/V_H) and low (R_L/V_L) terminals of the X9313 are equivalent to the fixed terminals of a mechanical potentiometer. The terminology of R_L/V_L and R_H/V_H references the relative position of the terminal in relation to wiper movement direction selected by the U/\bar{D} input and not the voltage potential on the terminal.

R_W/V_W

R_W/V_W is the wiper terminal and is equivalent to the movable terminal of a mechanical potentiometer. The position of the wiper within the array is determined by the control inputs. The wiper terminal series resistance is typically 40Ω at $V_{CC} = 5V$.

Up/Down (U/\bar{D})

The U/\bar{D} input controls the direction of the wiper movement and whether the counter is incremented or decremented.

Increment (\bar{INC})

The \bar{INC} input is negative-edge triggered. Toggling \bar{INC} will move the wiper and either increment or decrement the counter in the direction indicated by the logic level on the U/\bar{D} input.

Chip Select (\bar{CS})

The device is selected when the \bar{CS} input is LOW. The current counter value is stored in nonvolatile memory when \bar{CS} is returned HIGH while the \bar{INC} input is also HIGH. After the store operation is complete the X9313 will be placed in the low power standby mode until the device is selected once again.

Pin Configuration

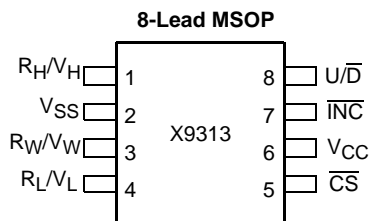
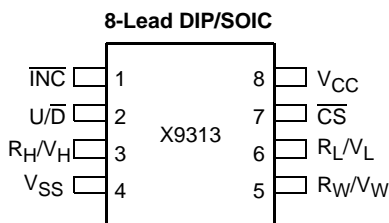


TABLE 1. PIN NAMES

SYMBOL	DESCRIPTION
R_H/V_H	High terminal
R_W/V_W	Wiper terminal
R_L/V_L	Low terminal
V_{SS}	Ground
V_{CC}	Supply voltage
U/\bar{D}	Up/Down control input
INC	Increment control input
CS	Chip Select control input

Principles of Operation

There are three sections of the X9313: the input control, counter and decode section; the nonvolatile memory; and the resistor array. The input control section operates just like an up/down counter. The output of this counter is decoded to turn on a single electronic switch connecting a point on the resistor array to the wiper output. Under the proper conditions the contents of the counter can be stored in nonvolatile memory and retained for future use. The resistor array is comprised of 31 individual resistors connected in series. At either end of the array and between each resistor is an electronic switch that transfers the potential at that point to the wiper.

The wiper, when at either fixed terminal, acts like its mechanical equivalent and does not move beyond the last position. That is, the counter does not wrap around when clocked to either extreme.

The electronic switches on the device operate in a “make before break” mode when the wiper changes tap positions. If the wiper is moved several positions, multiple taps are connected to the wiper for t_{1W} (INC to V_W change). The R_{TOTAL} value for the device can temporarily be reduced by a significant amount if the wiper is moved several positions.

When the device is powered-down, the last wiper position stored will be maintained in the nonvolatile memory. When power is restored, the contents of the memory are recalled and the wiper is set to the value last stored.

Instructions and Programming

The \bar{INC} , U/\bar{D} and \bar{CS} inputs control the movement of the wiper along the resistor array. With \bar{CS} set LOW the device is selected and enabled to respond to the U/\bar{D} and \bar{INC} inputs. HIGH to LOW transitions on \bar{INC} will increment or decrement (depending on the state of the U/\bar{D} input) a seven bit counter. The output of this counter is decoded to select one of thirty two wiper positions along the resistive array.


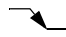




The value of the counter is stored in nonvolatile memory whenever \bar{CS} transitions HIGH while the \bar{INC} input is also HIGH.

The system may select the X9313, move the wiper and deselect the device without having to store the latest wiper position in nonvolatile memory. After the wiper movement is performed as described above and once the new position is reached, the system must keep $\overline{\text{INC}}$ LOW while taking $\overline{\text{CS}}$ HIGH. The new wiper position will be maintained until changed by the system or until a power-up/down cycle recalled the previously stored data.

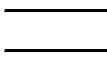
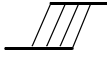
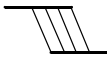
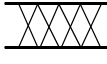
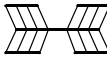
This procedure allows the system to always power-up to a preset value stored in nonvolatile memory; then during system operation minor adjustments could be made. The adjustments might be based on user preference, system parameter changes due to temperature drift, etc.

The state of $\text{U}/\overline{\text{D}}$ may be changed while $\overline{\text{CS}}$ remains LOW. This allows the host system to enable the device and then move the wiper up and down until the proper trim is attained.

TABLE 2. MODE SELECTION

$\overline{\text{CS}}$	$\overline{\text{INC}}$	$\text{U}/\overline{\text{D}}$	MODE
L		H	Wiper up
L		L	Wiper down
	H	X	Store wiper position
H	X	X	Standby current
	L	X	No store, return to standby
	L	H	Wiper up (not recommended)
	L	L	Wiper down (not recommended)

Symbol Table

WAVEFORM	INPUTS	OUTPUTS
	Must be steady	Will be steady
	May change from Low to High	Will change from Low to High
	May change from High to Low	Will change from High to Low
	Don't Care: Changes Allowed	Changing: State Not Known
	N/A	Center Line is High Impedance

Absolute Maximum Ratings

Temperature Under Bias-65°C to +135°C
 Storage Temperature-65°C to +150°C
 Voltage on CS, INC, U/D, and
 V_{CC} with respect to V_{SS} -1V to +7V
 Voltage on V_H, V_L, V_W
 with respect to V_{SS} -6V to +7V
 $\Delta V = |V_H - V_L|$:
 X9313Z4V
 X9313W, X9313U10V
 Lead Temperature (soldering 10 seconds) 300°C
 I_W (10 seconds) ±8.8mA

Recommended Operating Conditions

Temperature:
 Commercial 0°C to +70°C
 Industrial -40°C to +85°C
 Supply Voltage (V_{CC}):
 X93135V ±10%
 X9313-3 3V to 5.5V

CAUTION: Stresses above those listed under "Absolute Maximum Ratings" may cause permanent damage to the device. This is a stress rating only; functional operation of the device (at these or any other conditions above those listed in the operational sections of this specification) is not implied. Exposure to absolute maximum rating conditions for extended periods may affect device reliability.

Potentiometer Characteristics Over recommended operating conditions unless otherwise stated.

SYMBOL	PARAMETER	TEST CONDITIONS/NOTES	LIMITS			UNIT
			MIN	TYP	MAX	
	End-to-end resistance tolerance				±20	%
V _{VH}	V _H terminal voltage		-5		+5	V
V _{VL}	V _L terminal voltage		-5		+5	V
	Power rating	R _{TOTAL} ≥ 10kΩ			10	mW
		R _{TOTAL} ≥ 1kΩ			16	mW
R _W	Wiper resistance	I _W = 1mA, V _{CC} = 5V		40	100	W
I _W	Wiper current				±4.4	mA
	Noise	Ref: 1kHz		-120		dBV
	Resolution			3		%
	Absolute linearity (Note 1)	R _{W(n)(actual)} - R _{W(n)(expected)}			±1	MI (Note 3)
	Relative linearity (Note 2)	R _{W(n+1)} - (R _{W(n)} + MI)			±0.2	MI (Note 3)
	R _{TOTAL} temperature coefficient			±300		ppm/°C
	Ratiometric temperature coefficient				±20	ppm/°C
C _H /C _L /C _W	Potentiometer capacitances	See Circuit #3		10/10/25		pF

NOTES:

1. Absolute linearity is utilized to determine actual wiper voltage versus expected voltage = (V_{W(n)(actual)} - V_{W(n)(expected)}) = ±1 MI maximum.
2. Relative linearity is a measure of the error in step size between taps = R_{W(n+1)} - (R_{W(n)} + MI) = ±0.2 MI.
3. 1 MI = minimum increment = R_{TOT} / 31.

DC Operating Characteristics Over recommended operating conditions unless otherwise stated.

SYMBOL	PARAMETER	TEST CONDITIONS/NOTES	LIMITS			UNIT
			MIN	TYP (Note 4)	MAX	
I _{CC}	V _{CC} active current	$\overline{CS} = V_{IL}$, $U/\overline{D} = V_{IL}$ or V_{IH} and $\overline{INC} = 0.42 / 2.4V$ @ max t _{CYC}		1	3	mA
I _{SB}	Standby supply current	$\overline{CS} = V_{CC} - 0.3V$, U/\overline{D} and $\overline{INC} = V_{SS}$ or $V_{CC} - 0.3V$		200	500	μA
I _{LI}	\overline{CS} , \overline{INC} , U/\overline{D} input leakage current	V _{IN} = V _{SS} to V _{CC}			±10	μA
V _{IH}	\overline{CS} , \overline{INC} , U/\overline{D} input HIGH current		2		V _{CC} + 1	V
V _{IL}	\overline{CS} , \overline{INC} , U/\overline{D} input LOW current		-1		+0.8	V
C _{IN}	\overline{CS} , \overline{INC} , U/\overline{D} input capacitance	V _{CC} = 5V, V _{IN} = V _{SS} , TA = 25°C, f = 1MHz			10	pF

NOTES:

- 4. Typical values are for TA = 25°C and nominal supply voltage.
- 5. This parameter is periodically sampled and not 100% tested.

Endurance and Data Retention

PARAMETER	MIN	UNIT
Minimum endurance	100,000	Data changes per bit per register
Data retention	100	Years

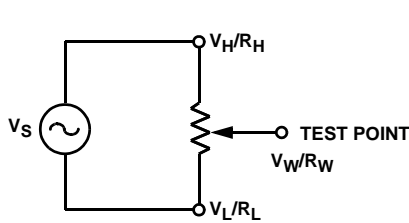


FIGURE 1. TEST CIRCUIT #1

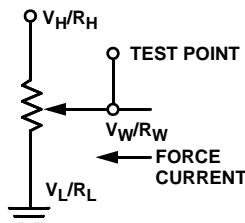


FIGURE 2. TEST CIRCUIT #2

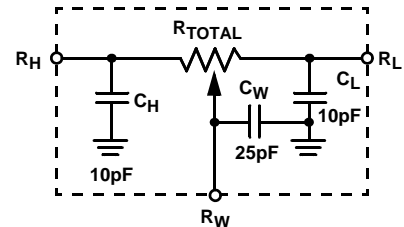


FIGURE 3. CIRCUIT #3 SPICE MACRO MODEL

AC Conditions of Test

Input pulse levels	0V to 3V
Input rise and fall times	10ns
Input reference levels	1.5V

AC Operating Characteristics Over recommended operating conditions unless otherwise stated.

SYMBOL	PARAMETER	LIMITS			UNIT
		MIN	TYP (Note 6)	MAX	
t_{CI}	\overline{CS} to \overline{INC} setup	100			ns
t_{ID}	\overline{INC} HIGH to U/\overline{D} change	100			ns
t_{DI}	U/\overline{D} to \overline{INC} setup	2.9			μ s
t_{IL}	\overline{INC} LOW period	1			μ s
t_{IH}	\overline{INC} HIGH period	1			μ s
t_{IC}	\overline{INC} inactive to \overline{CS} inactive	1			μ s
t_{CPH}	\overline{CS} deselect time (STORE)	20			ms
t_{CPH}	\overline{CS} deselect time (NO STORE)	100			ns
t_{IW}	\overline{INC} to V_W change		1	5	μ s
t_{CYC}	\overline{INC} cycle time	4			μ s
t_R, t_F (Note 7)	\overline{INC} input rise and fall time			500	μ s
t_{PU} (Note 7)	Power-up to wiper stable			5	μ s
$t_R V_{CC}$ (Note 7)	V_{CC} power-up rate	0.2		50	V/ms
t_{WR}	Store cycle		5	10	ms

NOTES:

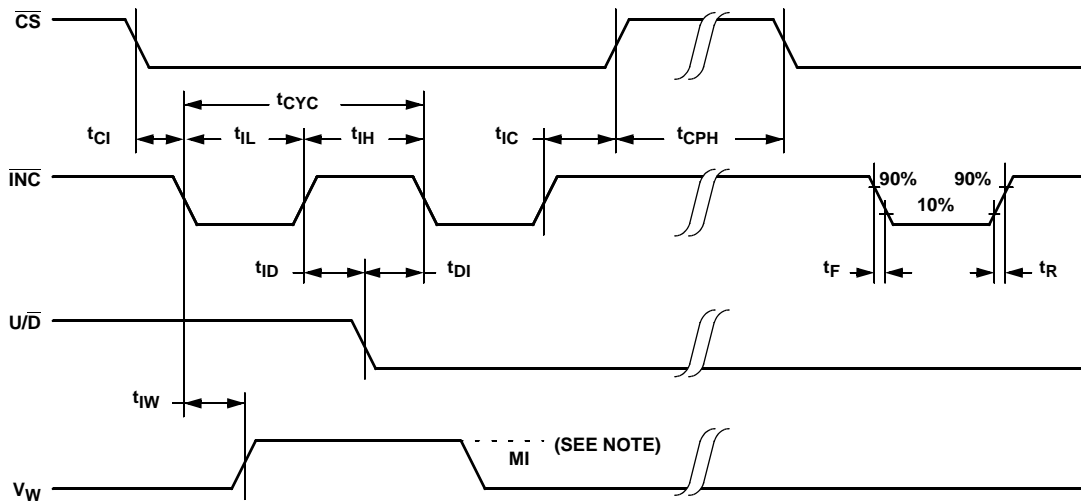
- 6. Typical values are for $T_A = 25^\circ\text{C}$ and nominal supply voltage.
- 7. This parameter is not 100% tested.

Power-Up and -Down Requirements

The recommended power-up sequence is to apply V_{CC}/V_{SS} first, then the potentiometer voltages. During power-up, the data sheet parameters for the DCP do not fully apply until 1 millisecond after V_{CC} reaches its final value. The V_{CC} ramp

spec is always in effect. In order to prevent unwanted tap position changes, or an inadvertent store, bring the \overline{CS} and \overline{INC} high before or concurrently with the V_{CC} pin on power-up.

AC Timing



NOTE:

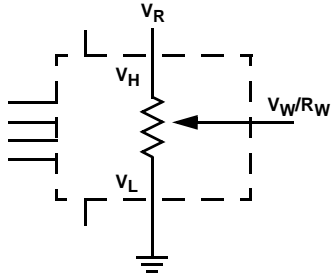
MI IN THE AC TIMING DIAGRAM REFERS TO THE MINIMUM INCREMENTAL CHANGE IN THE V_W OUTPUT DUE TO A CHANGE IN THE WIPER POSITION.

Applications Information

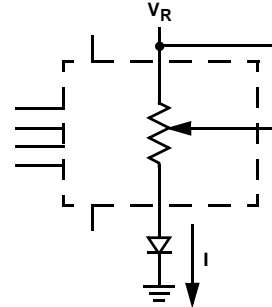
Electronic digitally controlled potentiometers (XDCP) provide three powerful application advantages; (1) the variability and reliability of a solid-state potentiometer, (2) the flexibility of

computer-based digital controls, and (3) the retentivity of nonvolatile memory used for the storage of multiple potentiometer settings or data.

Basic Configurations of Electronic Potentiometers



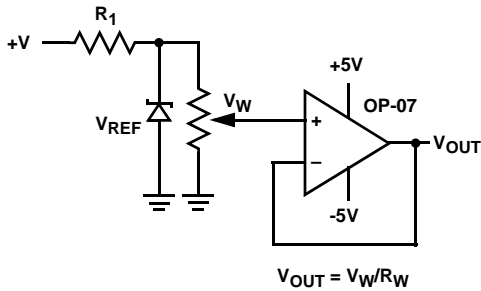
THREE-TERMINAL POTENTIOMETER;
VARIABLE VOLTAGE DIVIDER



TWO-TERMINAL VARIABLE RESISTOR;
VARIABLE CURRENT

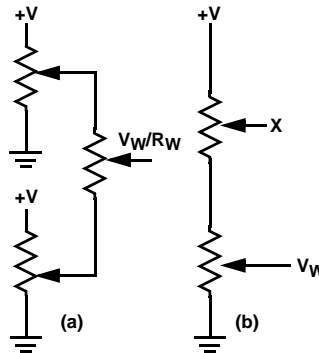
Basic Circuits

BUFFERED REFERENCE VOLTAGE

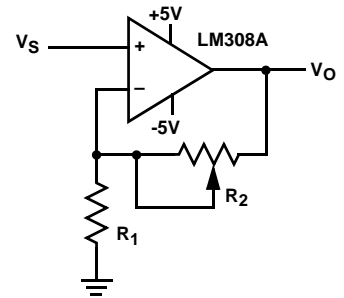


$$V_{OUT} = V_W/R_W$$

CASCADING TECHNIQUES

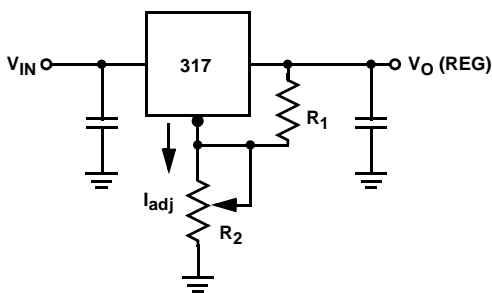


NONINVERTING AMPLIFIER



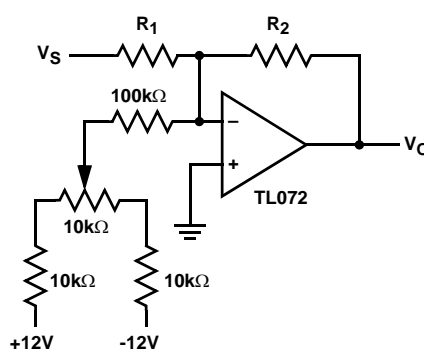
$$V_O = (1 + R_2 / R_1)V_S$$

VOLTAGE REGULATOR

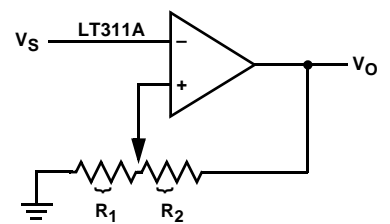


$$V_O (REG) = 1.25V (1 + R_2 / R_1) + I_{ADJ} R_2$$

OFFSET VOLTAGE ADJUSTMENT



COMPARATOR WITH HYSTERESIS



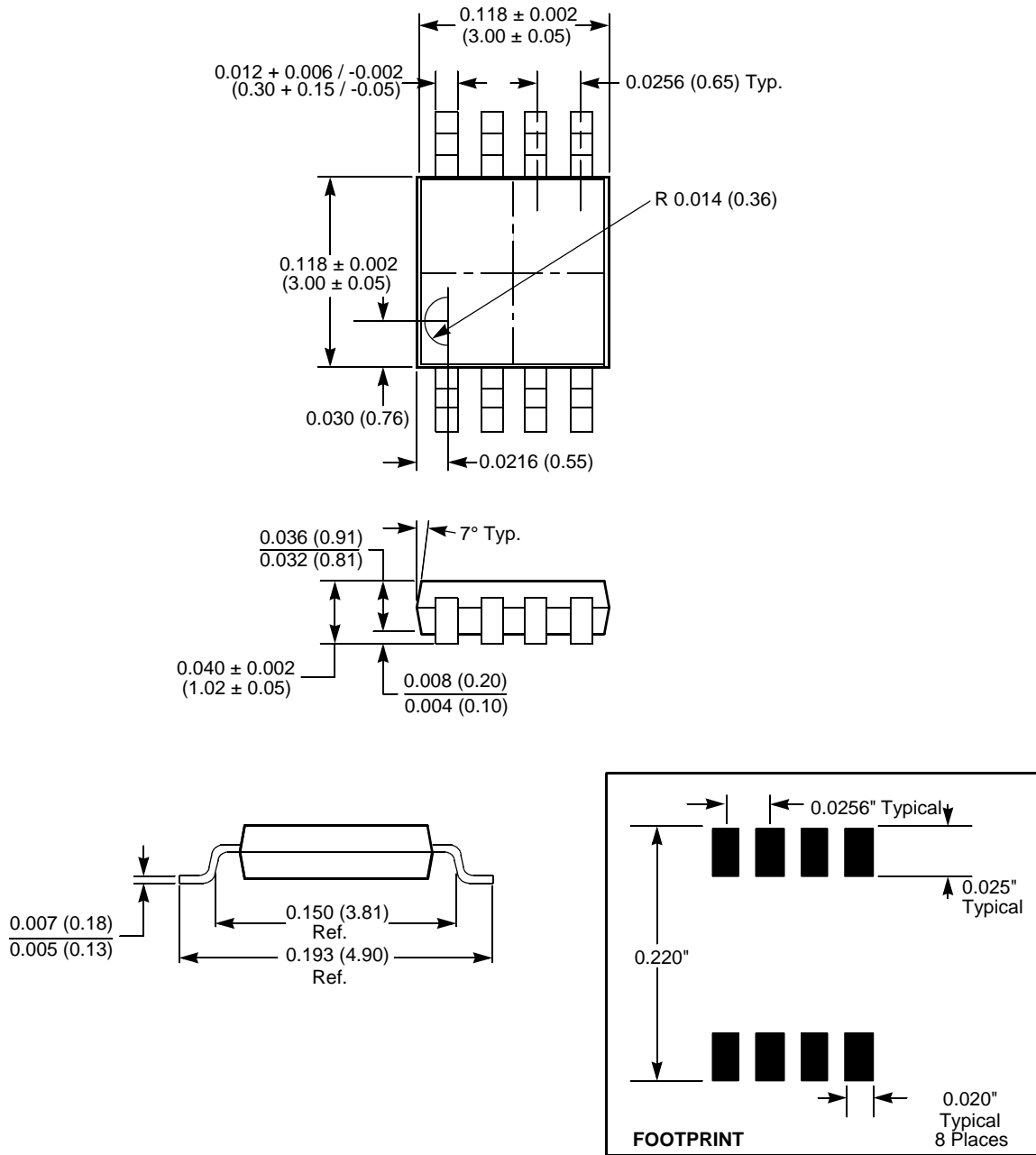
$$V_{UL} = [R_1 / (R_1 + R_2)] V_O(max)$$

$$V_{LL} = [R_1 / (R_1 + R_2)] V_O(min)$$

(for additional circuits see AN115)

Packaging Information

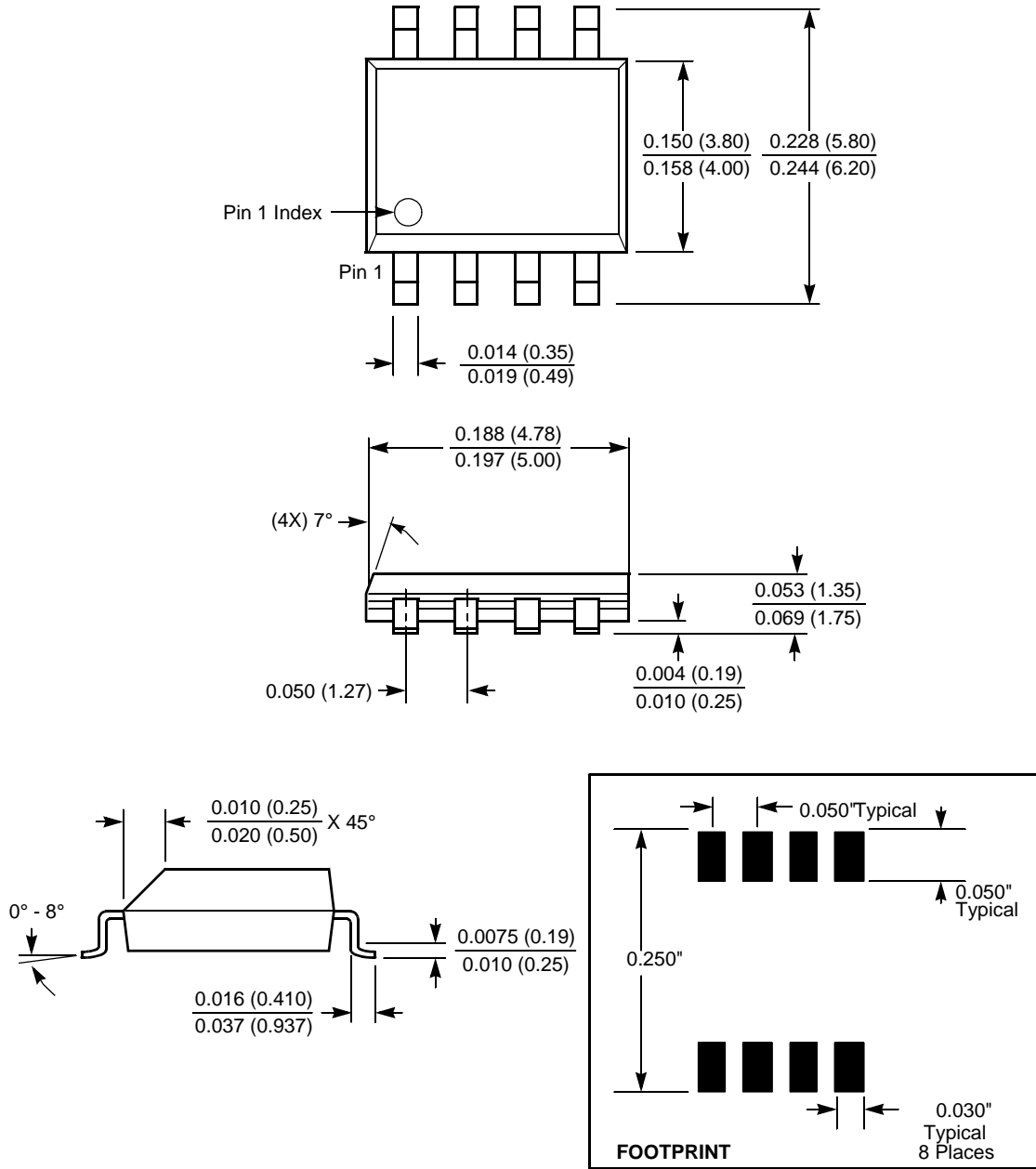
8-LEAD MINIATURE SMALL OUTLINE GULL WING PACKAGE TYPE M



NOTE ALL DIMENSIONS IN INCHES AND (MILLIMETERS)

Packaging Information

8-LEAD PLASTIC SMALL OUTLINE GULL WING PACKAGE TYPE S



NOTE: ALL DIMENSIONS IN INCHES (IN PARENTHESES IN MILLIMETERS)

All Intersil U.S. products are manufactured, assembled and tested utilizing ISO9000 quality systems. Intersil Corporation's quality certifications can be viewed at www.intersil.com/design/quality

Intersil products are sold by description only. Intersil Corporation reserves the right to make changes in circuit design, software and/or specifications at any time without notice. Accordingly, the reader is cautioned to verify that data sheets are current before placing orders. Information furnished by Intersil is believed to be accurate and reliable. However, no responsibility is assumed by Intersil or its subsidiaries for its use; nor for any infringements of patents or other rights of third parties which may result from its use. No license is granted by implication or otherwise under any patent or patent rights of Intersil or its subsidiaries.

For information regarding Intersil Corporation and its products, see www.intersil.com

X9313

[Printer Friendly Version](#)

Digitally Controlled Potentiometer (XDCP™), Linear, 32 Taps, 3 Wire Interface, Terminal Voltages ± V_{CC}

 Datasheets, Related Docs & Simulations	 Description	 Key Features	 Parametric Data	 Application Diagrams	 Related Devices
--	---	--	---	--	---

Ordering Information

 **RoHS/Pb-Free/Green Device**

Part No.	Design-In Status	Temp.	Package	MSL	Price US \$	
X9313UM	Active	Comm	8 Ld MSOP	1	1.53	Buy
X9313UM-3	Active	Comm	8 Ld MSOP	1	1.68	Buy
X9313UM-3T1	Active	Comm	8 Ld MSOP T+R	1	1.68	Buy
X9313UM-3T2	Active	Comm	8 Ld MSOP T+R	1	1.75	Buy
X9313UM-3T5C6985	Active	Comm	8 Ld MSOP T+R	1		Buy
X9313UMI	Active	Ind	8 Ld MSOP	1	1.92	Buy
X9313UMI-3	Active	Ind	8 Ld MSOP	1	2.08	Buy
X9313UMI-3C7886	Active	Ind	8 Ld MSOP	1		Buy
X9313UMI-3T1	Active	Ind	8 Ld MSOP T+R	1	2.08	Buy
X9313UMI-3T1C7886	Active	Ind	8 Ld MSOP T+R	1		Buy
X9313UMIT1	Active	Ind	8 Ld MSOP T+R	1	1.92	Buy
X9313UMIZ 	Active	Ind	8 Ld MSOP	2	1.92	Buy
X9313UMIZ-3 	Active	Ind	8 Ld MSOP	2	2.08	Buy
X9313UMIZ-3T1 	Active	Ind	8 Ld MSOP	2	2.08	Buy
X9313UMIZT1 	Active	Ind	8 Ld MSOP T+R	2	1.92	Buy
X9313UMT1	Active	Comm	8 Ld MSOP T+R	1	1.53	Buy
X9313UMZ 	Active	Comm	8 Ld MSOP	2	1.53	Buy
X9313UMZ-3 	Active	Comm	8 Ld MSOP	2	1.68	Buy
X9313UMZ-3T1 	Active	Comm	8 Ld MSOP T+R	2	1.68	Buy
X9313UMZT1 	Active	Comm	8 Ld MSOP T+R	2	1.53	Buy
X9313UP	Active	Comm	8 Ld PDIP	N/A	1.30	Buy
X9313UP-3	Active	Comm	8 Ld PDIP	N/A	1.44	Buy
X9313UPI	Active	Ind	8 Ld PDIP	N/A	1.62	Buy
X9313US	Active	Comm	8 Ld SOIC	1	1.30	Buy Sample
X9313US-3	Active	Comm	8 Ld SOIC	1	1.44	Buy
X9313US-3T1	Active	Comm	8 Ld SOIC T+R	1	1.44	Buy
X9313US-3T2	Active	Comm	8 Ld SOIC T+R	1	1.44	Buy
X9313USC7975	Active	Comm	8 Ld SOIC	1		Buy
X9313USI	Active	Ind	8 Ld SOIC	1	1.62	Buy
X9313USI-3C7711	Active	Ind	8 Ld SOIC	1		Buy
X9313USIC7975	Active	Ind	8 Ld SOIC	1		Buy
X9313USIT1	Active	Ind	8 Ld SOIC T+R	1	1.62	Buy
X9313USIZ 	Active	Ind	8 Ld SOIC	1	1.62	Buy

X9313USIZT1	Active	Ind	8 Ld SOIC T+R	1	1.62	Buy
X9313USM	Active	Comm	8 Ld SOIC	1	7.13	Buy
X9313UST1	Active	Comm	8 Ld SOIC T+R	1	1.30	Buy
X9313UST2	Active	Comm	8 Ld SOIC T+R	1	1.36	Buy
X9313USZ	Active	Comm	8 Ld SOIC	1	1.30	Buy
X9313USZ-3	Active	Comm	8 Ld SOIC	1	1.44	Buy
X9313USZ-3T1	Active	Comm	8 Ld SOIC T+R	1	1.44	Buy
X9313USZT1	Active	Comm	8 Ld SOIC T+R	1	1.30	Buy
X9313WM	Active	Comm	8 Ld MSOP	1	1.53	Buy
X9313WM-3	Active	Comm	8 Ld MSOP	1	1.68	Buy
X9313WM-3C7711	Active	Comm	8 Ld MSOP	1		Buy
X9313WM-3T1	Active	Comm	8 Ld MSOP T+R	1	1.68	Buy
X9313WM-3T1C6985	Active	Comm	8 Ld MSOP	1		Buy
X9313WM-3T2	Active	Comm	8 Ld MSOP T+R	1	1.68	Buy
X9313WMI	Active	Ind	8 Ld MSOP	1	1.92	Buy
X9313WMI-3	Active	Ind	8 Ld MSOP	1	2.43	Buy
X9313WMI-3C7886	Active	Ind	8 Ld MSOP	1		Buy
X9313WMI-3T1	Active	Ind	8 Ld MSOP T+R	1	2.43	Buy
X9313WMI-3T1C7886	Active	Ind	8 Ld MSOP	1		Buy
X9313WMIT1	Active	Ind	8 Ld MSOP T+R	1	1.92	Buy
X9313WMIZ	Active	Ind	8 Ld MSOP	2	1.92	Buy
X9313WMIZ-3	Active	Ind	8 Ld MSOP	2	2.43	Buy
X9313WMIZ-3C7886	Active	Ind	8 Ld MSOP	2		Buy
X9313WMIZ-3T1	Active	Ind	8 Ld MSOP T+R	2	2.44	Buy
X9313WMIZ-3T1C7886	Active	Ind	8 Ld MSOP T+R	2		Buy
X9313WMIZT1	Active	Ind	8 Ld MSOP T+R	2	1.92	Buy
X9313WMT1	Active	Comm	8 Ld MSOP T+R	1	1.53	Buy
X9313WMZ	Active	Comm	8 Ld MSOP	2	1.53	Buy
X9313WMZ-3	Active	Comm	8 Ld MSOP	2	1.68	Buy
X9313WMZ-3T1	Active	Comm	8 Ld MSOP T+R	2	1.68	Buy
X9313WMZT1	Active	Comm	8 Ld MSOP T+R	2	1.53	Buy
X9313WP	Active	Comm	8 Ld PDIP	N/A	1.30	Buy
X9313WP-3	Active	Comm	8 Ld PDIP	N/A	1.44	Buy
X9313WPI	Active	Ind	8 Ld PDIP	N/A	1.62	Buy
X9313WPIZ	Active	Ind	8 Ld PDIP	N/A	1.62	Buy
X9313WPZ-3	Active	Ind	8 Ld PDIP	N/A	1.44	Buy
X9313WS	Active	Comm	8 Ld SOIC	1	1.30	Buy Sample
X9313WS-3	Active	Comm	8 Ld SOIC	1	1.44	Buy
X9313WS-3T1	Active	Comm	8 Ld SOIC T+R	1	1.44	Buy
X9313WS-3T2	Active	Comm	8 Ld SOIC T+R	1	1.44	Buy
X9313WSC7576	Active	Comm	8 Ld SOIC	1		Buy
X9313WSC7898	Active	Comm	8 Ld SOIC	1		Buy
X9313WSC7975	Active	Comm	8 Ld SOIC	1		Buy

X9313WSI	Active	Ind	8 Ld SOIC	1	1.62	Buy
X9313WSI-3C7711	Active	Ind	8 Ld SOIC	1		Buy
X9313WSIT1	Active	Ind	8 Ld SOIC T+R	1	1.62	Buy
X9313WSIT2	Active	Ind	8 Ld SOIC T+R	1	1.63	Buy
X9313WSIZ 	Active	Ind	8 Ld SOIC	1	1.63	Buy
X9313WSIZT1 	Active	Ind	8 Ld SOIC	1	1.63	Buy
X9313WSMT2	Active	Comm	8 Ld SOIC	1	2.02	Buy
X9313WST1	Active	Comm	8 Ld SOIC T+R	1	1.30	Buy
X9313WST1C7576	Active	Comm	8 Ld SOIC	1		Buy
X9313WST2	Active	Comm	8 Ld SOIC	1	1.31	Buy
X9313WSZ 	Active	Comm	8 Ld SOIC	1	1.31	Buy
X9313WSZ-3 	Active	Comm	8 Ld SOIC	1	1.44	Buy
X9313WSZ-3T1 	Active	Comm	8 Ld SOIC T+R	1	1.44	Buy
X9313WSZT1 	Active	Comm	8 Ld SOIC T+R	1	1.31	Buy
X9313ZM	Active	Comm	8 Ld MSOP	1	1.53	Buy
X9313ZM-3	Active	Comm	8 Ld MSOP	1	1.68	Buy
X9313ZM-3C7711	Active	Comm	8 Ld MSOP	1		Buy
X9313ZM-3T1	Active	Comm	8 Ld MSOP	1	1.68	Buy
X9313ZMI	Active	Ind	8 Ld MSOP	1	1.92	Buy
X9313ZMI-3	Active	Ind	8 Ld MSOP	1	1.92	Buy
X9313ZMI-3T1	Active	Ind	8 Ld MSOP T+R	1	1.92	Buy
X9313ZMIT1	Active	Ind	8 Ld MSOP T+R	1	1.92	Buy
X9313ZMIT2	Active	Ind	8 Ld MSOP T+R	1	1.92	Buy
X9313ZMIZ 	Active	Ind	8 Ld MSOP	2	1.92	Buy
X9313ZMIZ-3 	Active	Ind	8 Ld MSOP	2	1.92	Buy
X9313ZMIZ-3T1 	Active	Ind	8 Ld MSOP T+R	2	1.92	Buy
X9313ZMIZT1 	Active	Ind	8 Ld MSOP T+R	2	1.92	Buy
X9313ZMT1	Active	Comm	8 Ld MSOP T+R	1	1.53	Buy
X9313ZMZ 	Active	Comm	8 Ld MSOP	2	1.53	Buy
X9313ZMZ-3 	Active	Comm	8 Ld MSOP	2	1.68	Buy
X9313ZMZ-3T1 	Active	Comm	8 Ld MSOP T+R	2	1.68	Buy
X9313ZMZT1 	Active	Comm	8 Ld MSOP T+R	2	1.92	Buy
X9313ZP	Active	Comm	8 Ld PDIP	N/A	1.30	Buy
X9313ZP-3	Active	Comm	8 Ld PDIP	N/A	1.44	Buy
X9313ZPC7975	Active	Comm	8 Ld PDIP T+R	N/A		Buy
X9313ZPI	Active	Ind	8 Ld PDIP	N/A	1.62	Buy
X9313ZPIZ 	Active	Ind	8 Ld PDIP	N/A	1.62	Buy
X9313ZPZ-3 	Active	Ind	8 Ld PDIP	N/A	1.44	Buy
X9313ZS	Active	Comm	8 Ld SOIC	1	1.03	Buy Sample
X9313ZS-3	Active	Comm	8 Ld SOIC	1	1.14	Buy
X9313ZS-3T1	Active	Comm	8 Ld SOIC T+R	1	1.14	Buy
X9313ZS-3T2	Active	Comm	8 Ld SOIC T+R	1	1.14	Buy
X9313ZSI	Active	Ind	8 Ld SOIC	1	1.62	Buy

X9313ZSI-3	Active	Ind	8 Ld SOIC	1	1.62	Buy	
X9313ZSI-3C7711	Active	Ind	8 Ld SOIC	1		Buy	
X9313ZSI-3T1	Active	Ind	8 Ld SOIC T+R	1	1.62	Buy	
X9313ZSIT1	Active	Ind	8 Ld SOIC T+R	1	1.62	Buy	
X9313ZSIZ 	Active	Ind	8 Ld SOIC T+R	1	1.62	Buy	
X9313ZSIZ-3 	Active	Ind	8 Ld SOIC	1	1.63	Buy	
X9313ZSIZ-3T1 	Active	Ind	8 Ld SOIC T+R	1	1.63	Buy	
X9313ZSIZT1 	Active	Ind	8 Ld SOIC T+R	1	1.62	Buy	
X9313ZST1	Active	Ind	8 Ld SOIC T+R	1	1.30	Buy	
X9313ZST1C7975	Active	Comm	8 Ld SOIC T+R	1		Buy	
X9313ZST2	Active	Comm	8 Ld SOIC T+R	1	1.30	Buy	
X9313ZSZ 	Active	Comm	8 Ld SOIC	1	1.30	Buy	
X9313ZSZ-3 	Active	Comm	8 Ld SOIC	1	1.44	Buy	
X9313ZSZ-3T1 	Active	Comm	8 Ld SOIC T+R	1	1.44	Buy	
X9313ZSZT1 	Active	Comm	8 Ld SOIC T+R	1	1.30	Buy	
XLABVIEW01	Active				N/A 91.77	Buy	Sample
XLABVIEW01Z 	Active		Eval Board		N/A 91.77	Buy	
X9313USZ-3T2 	Coming Soon	Comm	8 Ld SOIC T+R	1			
X9313WSZT2 	Coming Soon	Comm	8 Ld SOIC	1			
X9313ZMIZT2 	Coming Soon	Ind	8 Ld MSOP T+R	2			
X9313ZSZT2 	Coming Soon	Comm	8 Ld SOIC T+R	1			
X9313TM	InActive	Comm	8 Ld MSOP	1			
X9313TM-3	InActive	Comm	8 Ld MSOP	1			
X9313TM-3T1	InActive	Comm	8 Ld MSOP T+R	1			
X9313TM-3T2	InActive	Comm	8 Ld MSOP T+R	3			
X9313TMI	InActive	Ind	8 Ld MSOP	1			
X9313TMIT1	InActive	Ind	8 Ld MSOP T+R	1			
X9313TMT1	InActive	Comm	8 Ld MSOP T+R	1			
X9313TP	InActive	Comm	8 Ld PDIP	N/A			
X9313TP-3	InActive	Comm	8 Ld PDIP	N/A			
X9313TPI	InActive	Ind	8 Ld PDIP	N/A			
X9313TS	InActive	Comm	8 Ld SOIC	1			
X9313TS-3	InActive	Comm	8 Ld SOIC	1			
X9313TS-3C7309	InActive	Comm	8 Ld SOIC	1			
X9313TS-3C7898	InActive	Comm	8 Ld SOIC	1			
X9313TS-3C7975	InActive	Comm	8 Ld SOIC	1			
X9313TS-3T1	InActive	Comm	8 Ld SOIC T+R	1			
X9313TS-3T1C7975	InActive	Comm	8 Ld SOIC	1			
X9313TS-3T2	InActive	Comm	8 Ld SOIC T+R	3			
X9313TS-3T4	InActive	Comm	8 Ld SOIC T+R	3			
X9313TSC6683	InActive	Comm	8 Ld SOIC	1			
X9313TSC7309	InActive	Comm	8 Ld SOIC	1			
X9313TSC7708	InActive	Comm	8 Ld SOIC	1			
X9313TSC7898	InActive	Comm	8 Ld SOIC	1			
X9313TSI	InActive	Ind	8 Ld SOIC	1			

X9313TSI-3	InActive	Ind	8 Ld SOIC	1
X9313TSI-3C7711	InActive	Ind	8 Ld SOIC	1
X9313TSIC6683	InActive	Ind	8 Ld SOIC	1
X9313TSIC7711	InActive	Ind	8 Ld SOIC	1
X9313TSIT1	InActive	Ind	8 Ld SOIC T+R	1
X9313TST1	InActive	Comm	8 Ld SOIC T+R	1
X9313TST2	InActive	Comm	8 Ld SOIC T+R	3
X9313UMI-3T5C7886	InActive	Ind	8 Ld MSOP	1
X9313UMZ-3T2 	InActive	Comm	8 Ld MSOP	2
X9313USIT4	InActive	Ind	8 Ld SOIC T+R	3
X9313UST4	InActive	Comm	8 Ld SOIC T+R	3
X9313USZT2 	InActive	Comm	8 Ld SOIC T+R	
X9313WM-3-E2C7898 	InActive	Comm	8 Ld MSOP	1
X9313WM-3T5C6985	InActive	Comm	8 Ld MSOP	1
X9313WMZ-3T2 	InActive	Comm	8 Ld MSOP T+R	2
X9313WSI-E2 	InActive	Ind	8 Ld SOIC	1
X9313WSI-E2C7898 	InActive	Ind	8 Ld SOIC	1
X9313WSIT1-E2 	InActive	Ind	8 Ld SOIC	1
X9313WSIT4	InActive	Ind	8 Ld SOIC T+R	3
X9313WSIZT2 	InActive	Ind	8 Ld SOIC T+R	
X9313WSZ-3T2 	InActive	Comm	8 Ld SOIC T+R	
X9313ZMI-E2C7898 	InActive	Ind	8 Ld MSOP	1
X9313ZS-3T3	InActive	Comm	8 Ld SOIC T+R	3

The price listed is the manufacturer's suggested retail price for quantities between 100 and 999 units. However, prices in today's market are fluid and may change without notice.

MSL = Moisture Sensitivity Level - per IPC/JEDEC J-STD-020

SMD = Standard Microcircuit Drawing

Description

The Intersil X9313 is a digitally controlled potentiometer (XDCCP). The device consists of a resistor array, wiper switches, a control section, and nonvolatile memory. The wiper position is controlled by a 3-wire interface. The potentiometer is implemented by a resistor array composed of 31 resistive elements and a wiper switching network. Between each element and at either end are tap points accessible to the wiper terminal. The position of the wiper element is controlled by the CS, U/D, and INC inputs. The position of the wiper can be stored in nonvolatile memory and then be recalled upon a subsequent power-up operation. The device can be used as a three-terminal potentiometer or as a two-terminal variable resistor in a wide variety of applications including:

- Control
- Parameter adjustments
- Signal processing

Key Features

- Solid-state potentiometer
- 3-wire serial interface
- 32 wiper tap points
 - Wiper position stored in nonvolatile memory and recalled on power-up
- 31 resistive elements
 - Temperature compensated
 - End to end resistance range $\pm 20\%$
 - Terminal voltages, $-V_{CC}$ to $+V_{CC}$
- Low power CMOS
 - $V_{CC} = 3V$ or $5V$
 - Active current, 3mA max.

- Standby current, 500µA max.
- High reliability
 - Endurance, 100,000 data changes per bit
 - Register data retention, 100 years
- RTOTAL values = 1kΩ, 10kΩ, 50kΩ
- Packages
 - 8 Ld SOIC, 8 Ld MSOP and 8 Ld PDIP
- Pb-free plus anneal available (RoHS compliant)

Related Documentation



Application Note(s):

- [A Compendium of Application Circuits for Intersil's Digitally-Controlled \(XDCP\) Potentiometers](#)
- [A Primer on Digitally-Controlled Potentiometers](#)
- [Application of Intersil Digitally Controlled Potentiometers \(XDCP™\) as Hybrid Analog/Digital Feedback System Control Elements](#)
- [DC/DC Module Trim with Digital Potentiometers](#)
- [Designing Power Supplies Using Intersil's XDCP Mixed Signal Products](#)
- [Power Supply and DC to DC Converter Control using Intersil Digitally Controlled Potentiometers \(XDCPs\)](#)
- [Putting Analog On The Bus](#)
- [Shaft Encoder Drives Multiple Intersil Digitally Controlled Potentiometers \(XDCPs\)](#)
- [Tone, Balance, and Volume Control using a Quad XDCP](#)
- [Working with the Intersil 3-Wire DCP Devices](#)



Datasheet(s):

- [Digitally Controlled Potentiometer \(XDCP™\), Linear, 32 Taps, 3 Wire Interface, Terminal Voltages ±V_{CC}](#)



Technical Brief(s):

- [Converting a Fixed PWM to an Adjustable PWM](#)



Evaluation Board(s):

- [Evaluation Circuits for XDCP™](#)
- [Intersil_XDCP_Test_Utility_Manual_rev_3.2.3.pdf](#)
- [LabView_XDCP_Software.zip](#)
- [LabView_XDCP_Upgrade_3.2.3.zip](#)
- [Readme_XicorLabVIEW_V3.2.3.txt](#)
- [XDCP_Vref Evaluation Board Kit Documentation and Software](#)
- [accessHW.zip](#)



Technical Homepage:

- [Digitally Controlled Potentiometers \(DCPs\) and Capacitors \(DCCs\)](#)
- [Precision Analog Homepage](#)



Parametric Data

Number of DCPs	Single
Number of Taps	32
Memory Type	Non-Volatile
Bus Interface Type	3-Wire (Up/Down)
Resistance Options (kΩ)	1, 10, 50
V _{CC} Range (V)	3.0 to 5.5
DCP Differential Terminal Voltage (V)	10
Terminal Voltage Range V _L to V _H (V)	-V _{CC} to +V _{CC}
Resistance Taper	Linear
Wiper Current (mA)	±1
Wiper Resistance (Ω)	40
Standby Current I _{SB} (µA)	500



Application Block Diagrams

- [Digital Projector](#)



Related Devices



Parametric Table

- [X9314](#) Single Digitally Controlled Potentiometer (XD^{CP}[™])
- [X9315](#) Digitally Controlled Potentiometer (XD^{CP}[™])
- [X93154](#) Digitally Controlled Potentiometer (XD^{CP}[™])
- [X93155](#) Digitally Controlled Potentiometer (XD^{CP}[™])
- [X93156](#) Single Digitally Controlled Potentiometer (XD^{CP}[™]), Low Noise, Low Power, 3 wire Up/Down, 32 Taps
- [X9511](#) Single Digitally-Controlled (XD^{CP}[™]) Potentiometer (Push Button Controlled)