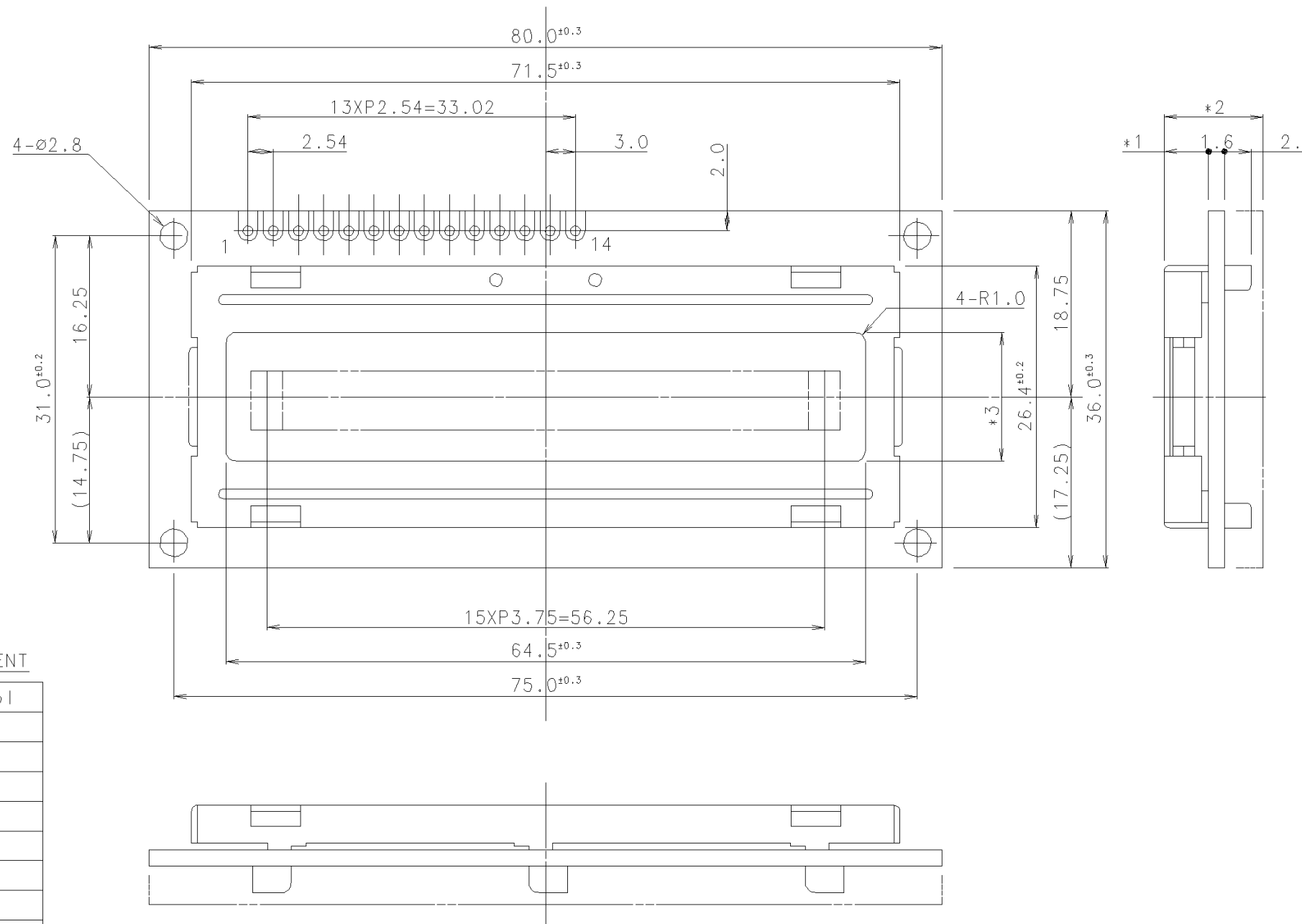




DIMENSIONS OF UNIT

specifications.	part Dimenstions	
Standard	*1	4.5 <sup>±0.3</sup>
	*2	10.0MAX
	*3	13.0 <sup>±0.2</sup>
EL Back light	*1	4.8 <sup>±0.3</sup>
	*2	10.3MAX
	*3	13.8 <sup>±0.2</sup>



PIN ASSIGNMENT

Pin No	Symbol
1	Vss
2	Vcc
3	Vee
4	RS
5	R/W
6	E
7	DB0
8	DB1
9	DB2
10	DB3
11	DB4
12	DB5
13	DB6
14	DB7

TOLERANCE

MEASURE	A	Ⓟ	C
1≤16	±0.1	±0.3	±1
16<1≤63	±0.2	±0.5	±1.5
63<1≤250	±0.3	±0.8	±2
250<1≤500	±0.5	±1.2	±3
500<1≤1000	±0.8	±2	±4

ANGLE		
±30'	±1°	±2°

DOT DETAIL SCALE10/1

6							
5				MATERIAL	FINISH	Q'ty	NOTE
4				3rd ANGLE PROJECTION	TOLERANCE CLASS: B	SCALE: 2/1	
3				APPROVED _____	MODEL	DMC16106Cシリーズ	
2				CHECKED _____	TITLE	DIMENSIONAL OUTLINE	
1				DRAWN _____	CODE		
ISSUE	DATE	REVISIONS	NAME	DESIGNED _____	DRAWING No.	UE-33930	



OPTREX CORPORATION