

10/100BASE-T LAN MAGNETICS

Mini PCI Transformer Module

LM00415

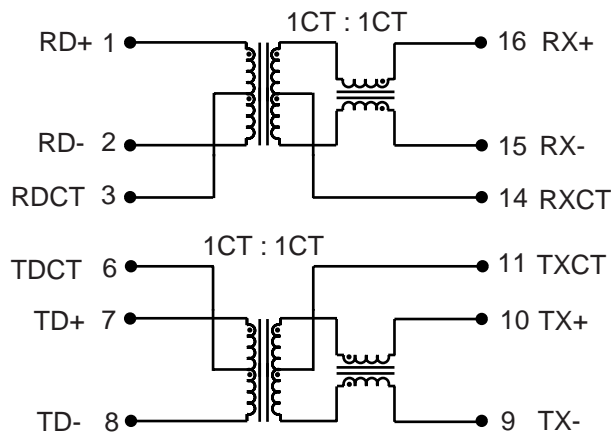
- Ultra low profile package height 0.084" (2.13mm)
- Designed for use in symmetrical Auto MDIX TX and RX channels
- Other ultra low profile transformer modules available:
 - S558-5999-L1 package height 0.078" (1.98mm)
 - S558-5999-L5 package height 0.084" (2.13mm)
- Meets all IEEE 802.3 standards including 350 μ H OCL with 8mA bias
- IR reflow rating at 225° C peak
- UL 1950 file number E169987
- CB certificate number 16017
- Operating temperature 0° to 70° C
- Minimum interwinding breakdown voltage of 1500 Vrms

ELECTRICAL SPECIFICATIONS AT 25° C

Part Number	Turns Ratio		Insertion Loss dB max	Return Loss dB min			Crosstalk dB min	Common to Differential Mode Rejection dB min			
	TX	RX		1MHz to 100MHz	30MHz	60MHz		80MHz	1MHz to 100MHz	30MHz	50MHz
S558-5999-U1	1CT : 1CT	1CT : 1CT	-1.0	-18	-14	-12	-35	-40	-40	-30	-20

SCHEMATIC

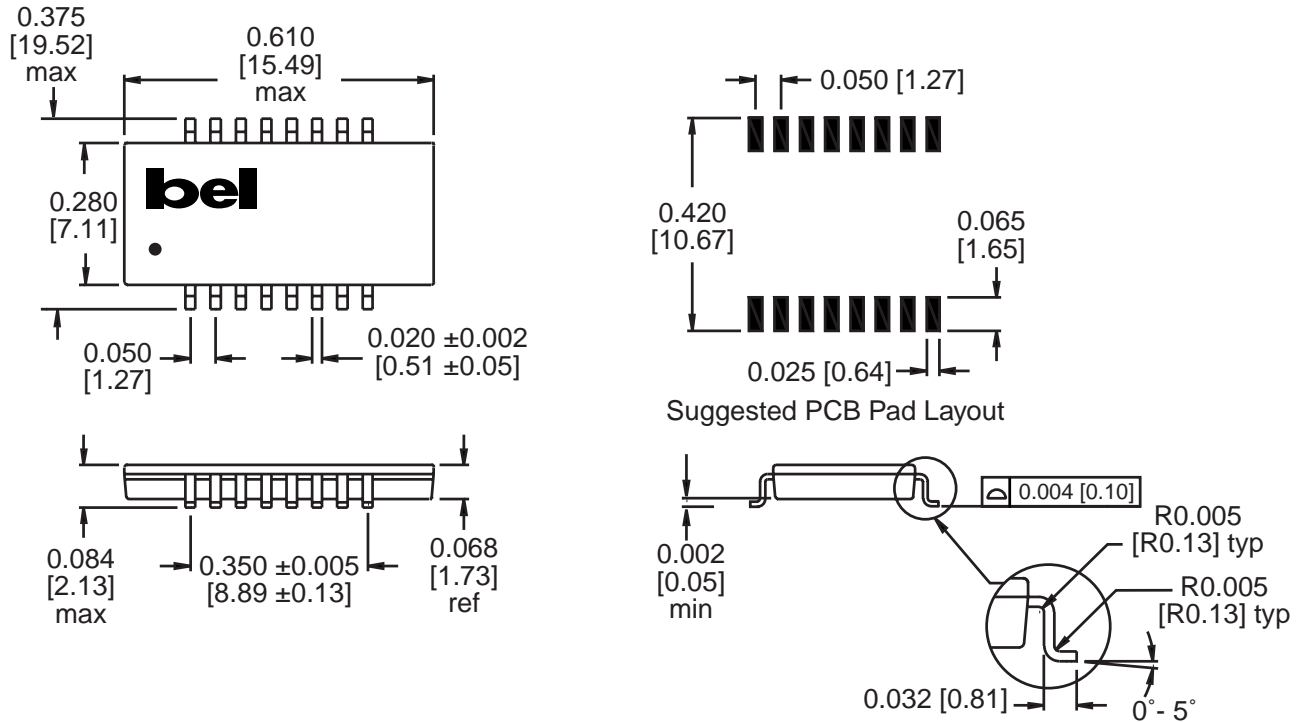
S558-5999-U1
Auto MDIX



LM00415

MECHANICAL

S558-5999-U1



Dimensions are inches [millimeters].
Standard dimension tolerance is ± 0.005 [0.13] unless otherwise noted.

Note: Other ultra low profile transformer modules available:

- S558-5999-L1 package height 0.078" (1.98mm)
- S558-5999-L5 package height 0.084" (2.13mm)

CORPORATE

Bel Fuse Inc.
206 Van Vorst Street
Jersey City, NJ 07302
Tel 201-432-0463
Fax 201-432-9542
www.belfuse.com

FAR EAST

Bel Fuse Ltd.
8F / 8 Luk Hop Street
San Po Kong
Kowloon, Hong Kong
Tel 852-2328-5515
Fax 852-2352-3706
www.belfuse.com

EUROPE

Bel Fuse Europe Ltd.
Preston Technology Management Centre
Marsh Lane, Suite G7, Preston
Lancashire, PR1 8UD, U.K.
Tel 44-1772-556601
Fax 44-1772-888366
www.belfuse.com