

Renesas LSIs
M5M5V5636UG – 16

18874368-BIT(524288-WORD BY 36-BIT) NETWORK SRAM

DESCRIPTION

The M5M5V5636UG is a family of 18M bit synchronous SRAMs organized as 524288-words by 36-bit. It is designed to eliminate dead bus cycles when turning the bus around between reads and writes, or writes and reads. Renesas's SRAMs are fabricated with high performance, low power CMOS technology, providing greater reliability. M5M5V5636UG operates on 3.3V power/ 2.5V I/O supply or a single 3.3V power supply and are 3.3V CMOS compatible.

The M5M5V5636UG also operates on a single 2.5V power supply and is also 2.5V CMOS compatible. Therefore the M5M5V5636UG can replace the M5M5T5636UG. The M5M5V5636UG-16 operates at 167MHz or 133MHz and is guaranteed both AC DC electrical characteristics of 167MHz and those of 133MHz.

FEATURES

- Fully registered inputs and outputs for pipelined operation
- Fast clock speed: 167 and 133 MHz
- Fast access time: 3.8 and 4.2 ns
- Single 3.3V -5% and +5% power supply V_{DD}
- Separate V_{DDQ} for 3.3V or 2.5V I/O
- Single 2.5V -5% and +5% power supply V_{DD}
- Individual byte write (BWA# - BWD#) controls may be tied LOW
- Single Read/Write control pin (W#)
- CKE# pin to enable clock and suspend operations
- Internally self-timed, registers outputs eliminate the need to control G#
- Snooze mode (ZZ) for power down
- Linear or Interleaved Burst Modes
- Three chip enables for simple depth expansion
- JTAG boundary scan support

PACKAGE

165(11x15) bump BGA
Body Size (13mm x 15mm)
Bump Pitch 1.0mm

APPLICATION

High-end networking products that require high bandwidth, such as switches and routers.

FUNCTION

Synchronous circuitry allows for precise cycle control triggered by a positive edge clock transition.

Synchronous signals include : all Addresses, all Data Inputs, all Chip Enables (E1#, E2, E3#), Address Advance/Load (ADV), Clock Enable (CKE#), Byte Write Enables (BWA#, BWb#, BWc#, BWD#) and Read/Write (W#). Write operations are controlled by the four Byte Write Enables (BWA# - BWD#) and Read/Write(W#) inputs. All writes are conducted with on-chip synchronous self-timed write circuitry.

Asynchronous inputs include Output Enable (G#), Clock (CLK) and Snooze Enable (ZZ). The HIGH input of ZZ pin puts the SRAM in the power-down state. The Linear Burst order (LBO#) is DC operated pin. LBO# pin will allow the choice of either an interleaved burst, or a linear burst.

All read, write and deselect cycles are initiated by the ADV LOW input. Subsequent burst address can be internally generated as controlled by the ADV HIGH input.

PART NAME TABLE

M5M5V5636UG-16

Operate frequency	Access	Cycle	Active Current (max.)	Standby Current (max.)
167MHz	3.8ns	6.0ns	380mA	30mA
133MHz	4.2ns	7.5ns	350mA	30mA

Renesas LSIs
M5M5V5636UG – 16

18874368-BIT(524288-WORD BY 36-BIT) NETWORK SRAM

BUMP LAYOUT(TOP VIEW)

165bump-BGA

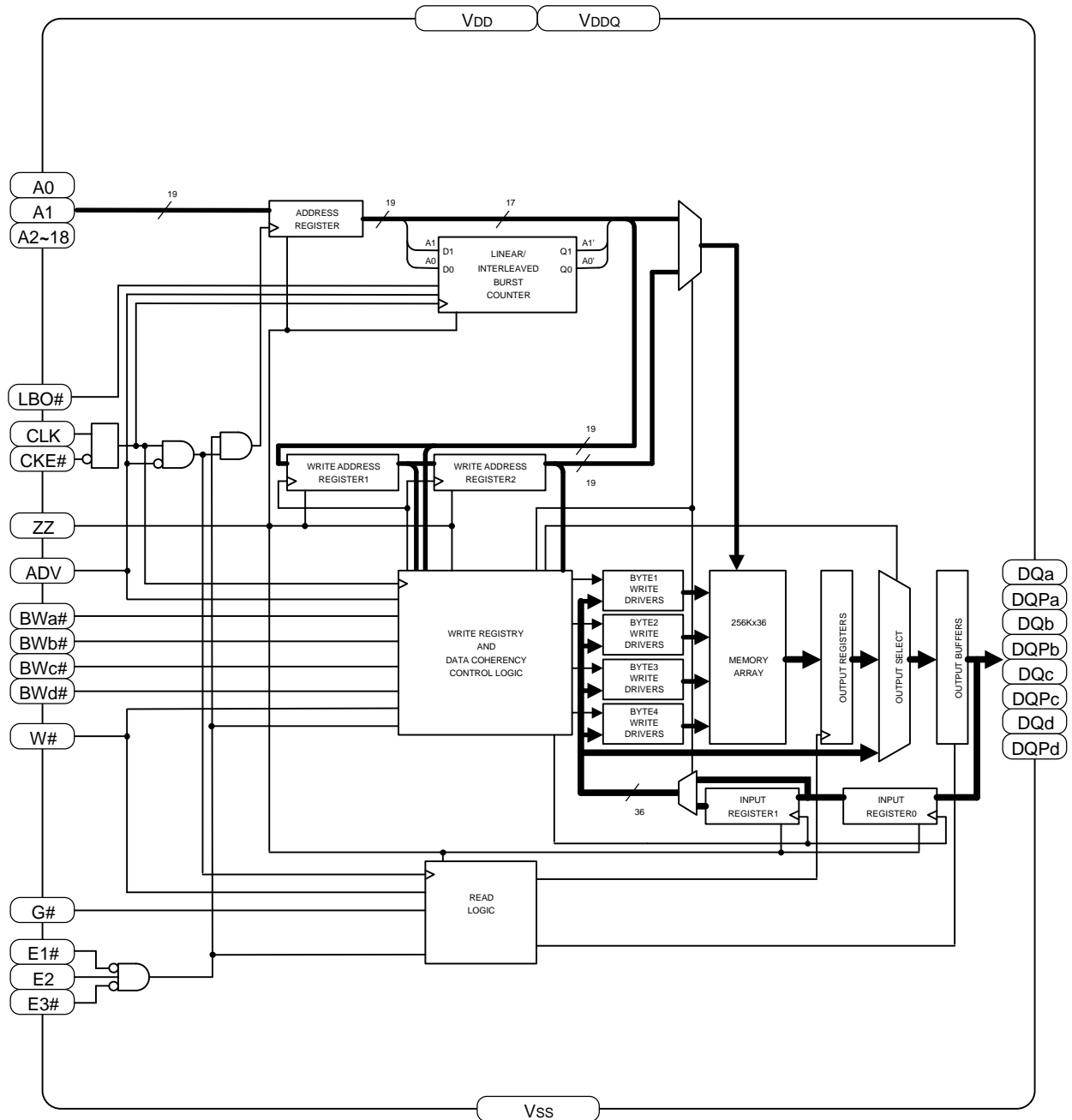
	1	2	3	4	5	6	7	8	9	10	11
A	NC	A7	E1#	BWc#	BWb#	E3#	CKE#	ADV	A17	A8	NC
B	NC	A6	E2	BWd#	BWa#	CLK	W#	G#	A18	A9	NC
C	DQPc	NC	VDDQ	VSS	VSS	VSS	VSS	VSS	VDDQ	NC	DQPb
D	DQc	DQc	VDDQ	VDD	VSS	VSS	VSS	VDD	VDDQ	DQb	DQb
E	DQc	DQc	VDDQ	VDD	VSS	VSS	VSS	VDD	VDDQ	DQb	DQb
F	DQc	DQc	VDDQ	VDD	VSS	VSS	VSS	VDD	VDDQ	DQb	DQb
G	DQc	DQc	VDDQ	VDD	VSS	VSS	VSS	VDD	VDDQ	DQb	DQb
H	MCH	MCH	NC	VDD	VSS	VSS	VSS	VDD	NC	NC	ZZ
J	DQd	DQd	VDDQ	VDD	VSS	VSS	VSS	VDD	VDDQ	DQa	DQa
K	DQd	DQd	VDDQ	VDD	VSS	VSS	VSS	VDD	VDDQ	DQa	DQa
L	DQd	DQd	VDDQ	VDD	VSS	VSS	VSS	VDD	VDDQ	DQa	DQa
M	DQd	DQd	VDDQ	VDD	VSS	VSS	VSS	VDD	VDDQ	DQa	DQa
N	DQPd	NC	VDDQ	VSS	NC	NC	MCH	VSS	VDDQ	NC	DQPa
P	NC	NC	A5	A3	TDI	A1	TDO	A15	A13	A11	NC
R	LBO#	NC	A4	A2	TMS	A0	TCK	A16	A14	A12	A10

Note1. MCH means "Must Connect High". MCH should be connected to HIGH.

Renesas LSIs
M5M5V5636UG – 16

18874368-BIT(524288-WORD BY 36-BIT) NETWORK SRAM

BLOCK DIAGRAM



Note2. The BLOCK DIAGRAM does not include the Boundary Scan logic. See Boundary Scan chapter.

Note3. The BLOCK DIAGRAM illustrates simplified device operation. See TRUTH TABLE, PIN FUNCTION and timing diagrams for detailed information.

Renesas LSIs
M5M5V5636UG – 16

18874368-BIT(524288-WORD BY 36-BIT) NETWORK SRAM

PIN FUNCTION

Pin	Name	Function
A0~A18	Synchronous Address Inputs	These inputs are registered and must meet the setup and hold times around the rising edge of CLK. A0 and A1 are the two least significant bits (LSB) of the address field and set the internal burst counter if burst is desired.
BWa#, BWb#, BWc#, BWd#	Synchronous Byte Write Enables	These active LOW inputs allow individual bytes to be written when a WRITE cycle is active and must meet the setup and hold times around the rising edge of CLK. BYTE WRITES need to be asserted on the same cycle as the address. BWs are associated with addresses and apply to subsequent data. BWa# controls DQa, DQP a pins; BWb# controls DQb, DQP b pins; BWc# controls DQc, DQP c pins; BWd# controls DQd, DQP d pins.
CLK	Clock Input	This signal registers the address, data, chip enables, byte write enables and burst control inputs on its rising edge. All synchronous inputs must meet setup and hold times around the clock's rising edge.
E1#	Synchronous Chip Enable	This active LOW input is used to enable the device and is sampled only when a new external address is loaded (ADV is LOW).
E2	Synchronous Chip Enable	This active High input is used to enable the device and is sampled only when a new external address is loaded (ADV is LOW). This input can be used for memory depth expansion.
E3#	Synchronous Chip Enable	This active Low input is used to enable the device and is sampled only when a new external address is loaded (ADV is LOW). This input can be used for memory depth expansion.
G#	Output Enable	This active LOW asynchronous input enable the data I/O output drivers.
ADV	Synchronous Address Advance/Load	When HIGH, this input is used to advance the internal burst counter, controlling burst access after the external address is loaded. When HIGH, W# is ignored. A LOW on this pin permits a new address to be loaded at CLK rising edge.
CKE#	Synchronous Clock Enable	This active LOW input permits CLK to propagate throughout the device. When HIGH, the device ignores the CLK input and effectively internally extends the previous CLK cycle. This input must meet setup and hold times around the rising edge of CLK.
ZZ	Snooze Enable	This active HIGH asynchronous input causes the device to enter a low-power standby mode in which all data in the memory array is retained. When active, all other inputs are ignored. When this pin is LOW or NC, the SRAM normally operates.
W#	Synchronous Read/Write	This active input determines the cycle type when ADV is LOW. This is the only means for determining READs and WRITEs. READ cycles may not be converted into WRITEs (and vice versa) other than by loading a new address. A LOW on the pin permits BYTE WRITE operations and must meet the setup and hold times around the rising edge of CLK. Full bus width WRITEs occur if all byte write enables are LOW.
DQa,DQP a,DQb,DQP b,DQc,DQP c,DQd,DQP d	Synchronous Data I/O	Byte "a" is DQa , DQP a pins; Byte "b" is DQb, DQP b pins; Byte "c" is DQc, DQP c pins; Byte "d" is DQd,DQP d pins. Input data must meet setup and hold times around CLK rising edge.
LBO#	Burst Mode Control	This DC operated pin allows the choice of either an interleaved burst or a linear burst. If this pin is HIGH or NC, an interleaved burst occurs. When this pin is LOW, a linear burst occurs, and input leak current to this pin.
VDD	VDD	Core Power Supply
VSS	VSS	Ground
VDDQ	VDDQ	I/O buffer Power supply
TDI	Test Data Input	These pins are used for Boundary Scan Test.
TDO	Test Data Output	
TCK	Test Clock	
TMS	Test Mode Select	
MCH	Must Connect High	These pins should be connected to HIGH
NC	No Connect	These pins are not internally connected and may be connected to ground.

Renesas LSIs
M5M5V5636UG – 16

18874368-BIT(524288-WORD BY 36-BIT) NETWORK SRAM

DC OPERATED TRUTH TABLE

Name	Input Status	Operation
LBO#	HIGH or NC	Interleaved Burst Sequence
	LOW	Linear Burst Sequence

Note4. LBO# is DC operated pin.

Note5. NC means No Connection.

Note6. See BURST SEQUENCE TABLE about interleaved and Linear Burst Sequence.

BURST SEQUENCE TABLE

Interleaved Burst Sequence (when LBO# = HIGH or NC)

Operation	A18~A2	A1,A0			
First access, latch external address	A18~A2	0, 0	0, 1	1, 0	1, 1
Second access(first burst address)	latched A18~A2	0, 1	0, 0	1, 1	1, 0
Third access(second burst address)	latched A18~A2	1, 0	1, 1	0, 0	0, 1
Fourth access(third burst address)	latched A18~A2	1, 1	1, 0	0, 1	0, 0

Linear Burst Sequence (when LBO# = LOW)

Operation	A18~A2	A1,A0			
First access, latch external address	A18~A2	0, 0	0, 1	1, 0	1, 1
Second access(first burst address)	latched A18~A2	0, 1	1, 0	1, 1	0, 0
Third access(second burst address)	latched A18~A2	1, 0	1, 1	0, 0	0, 1
Fourth access(third burst address)	latched A18~A2	1, 1	0, 0	0, 1	1, 0

Note7. The burst sequence wraps around to its initial state upon completion.

TRUTH TABLE

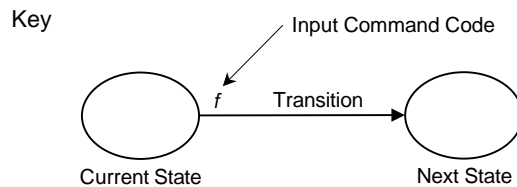
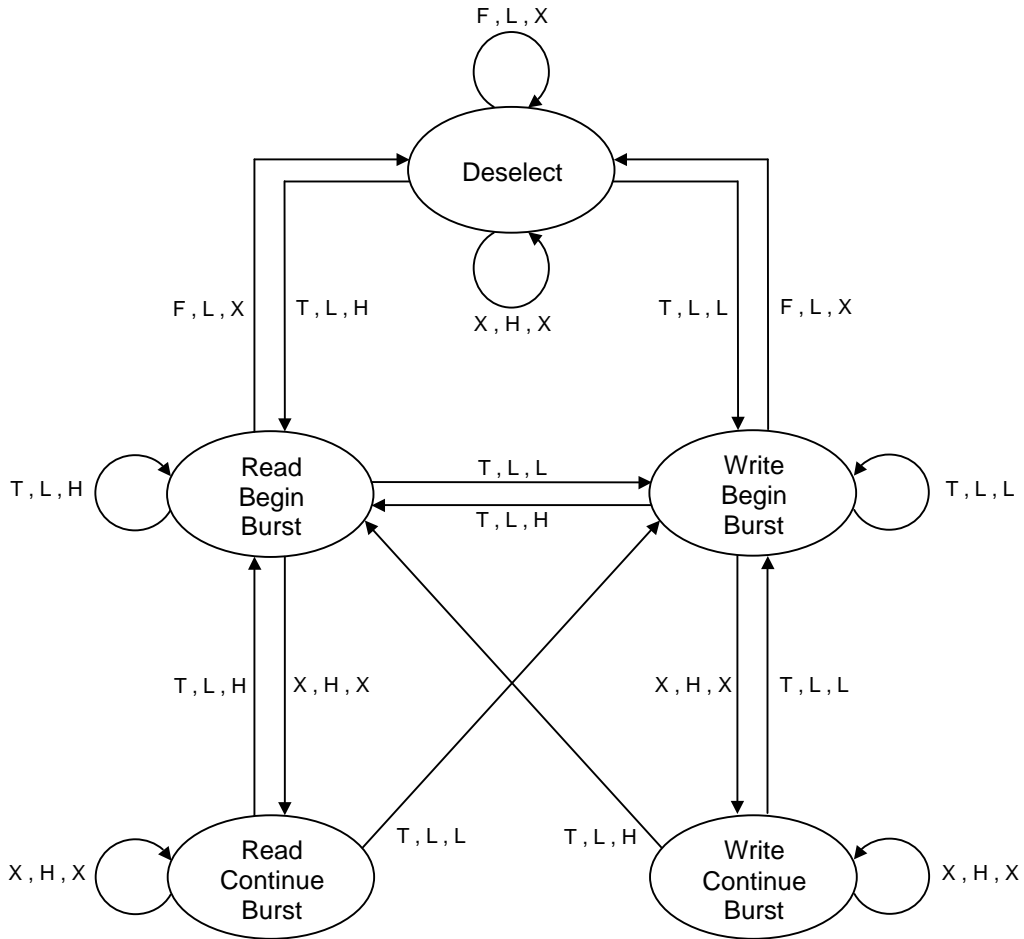
E1#	E2	E3#	ZZ	ADV	W#	BWx#	G#	CKE#	CLK	DQ	Address used	Operation
H	X	X	L	L	X	X	X	L	L->H	High-Z	None	Deselect Cycle
X	L	X	L	L	X	X	X	L	L->H	High-Z	None	Deselect Cycle
X	X	H	L	L	X	X	X	L	L->H	High-Z	None	Deselect Cycle
X	X	X	L	H	X	X	X	L	L->H	High-Z	None	Continue Deselect Cycle
L	H	L	L	L	H	X	L	L	L->H	Q	External	Read Cycle, Begin Burst
X	X	X	L	H	X	X	L	L	L->H	Q	Next	Read Cycle, Continue Burst
L	H	L	L	L	H	X	H	L	L->H	High-Z	External	NOP/Dummy Read, Begin Burst
X	X	X	L	H	X	X	H	L	L->H	High-Z	Next	Dummy Read, Continue Burst
L	H	L	L	L	L	L	X	L	L->H	D	External	Write Cycle, Begin Burst
X	X	X	L	H	X	L	X	L	L->H	D	Next	Write Cycle, Continue Burst
L	H	L	L	L	L	H	X	L	L->H	High-Z	None	NOP/Write Abort, Begin Burst
X	X	X	L	H	X	H	X	L	L->H	High-Z	Next	Write Abort, Continue Burst
X	X	X	L	X	X	X	X	H	L->H	-	Current	Ignore Clock edge, Stall
X	X	X	H	X	X	X	X	X	X	High-Z	None	Snooze Mode

Note8. "H" = input VIH; "L" = input VIL; "X" = input VIH or VIL.

Note9. BWx#=H means all Synchronous Byte Write Enables (BWa#,BWb#,BWc#,BWd#) are HIGH. BWx#=L means one or more Synchronous Byte Write Enables are LOW.

Note10. All inputs except G# and ZZ must meet setup and hold times around the rising edge (LOW to HIGH) of CLK.

STATE DIAGRAM



Note11. The notation "x , x , x" controlling the state transitions above indicate the state of inputs E, ADV and W# respectively.

Note12. If (E1# = L and E2 = H and E3# = L) then E="T" else E="F".

Note13. "H" = input VIH; "L" = input VIL; "X" = input VIH or VIL; "T" = input "true"; "F" = input "false".

Renesas LSIs
M5M5V5636UG – 16

18874368-BIT(524288-WORD BY 36-BIT) NETWORK SRAM

WRITE TRUTH TABLE

W#	BWa#	BWb#	BWc#	BWd#	Function
H	X	X	X	X	Read
L	L	H	H	H	Write Byte a
L	H	L	H	H	Write Byte b
L	H	H	L	H	Write Byte c
L	H	H	H	L	Write Byte d
L	L	L	L	L	Write All Bytes
L	H	H	H	H	Write Abort/NOP

Note14. "H"=input VIH; "L"=input VIL; "X"=input VIH or VIL.

Note15. All inputs except G# and ZZ must meet setup and hold times around the rising edge (LOW to HIGH) of CLK.

ABSOLUTE MAXIMUM RATINGS

Symbol	Parameter	Conditions	Ratings	Unit
VDD	Power Supply Voltage	With respect to Vss	-1.0*~4.6	V
VDDQ	I/O Buffer Power Supply Voltage		-1.0*~4.6	V
Vi	Input Voltage		-1.0~VDDQ+1.0**	V
VO	Output Voltage		-1.0~VDDQ+1.0**	V
PD	Maximum Power Dissipation (VDD)		1.6	W
TOPR	Operating Temperature		0~70	°C
TSTG(bias)	Storage Temperature(bias)		-10~85	°C
TSTG	Storage Temperature		-55~125	°C

Note16.* This is -1.0V when pulse width≤2ns, and -0.5V in case of DC.

** This is -1.0V~VDDQ+1.0V when pulse width≤2ns, and -0.5V~VDDQ+0.5V in case of DC.

Renesas LSIs
M5M5V5636UG – 16

18874368-BIT(524288-WORD BY 36-BIT) NETWORK SRAM

DC ELECTRICAL CHARACTERISTICS1 (Ta=0~70°C, VDD=3.135~3.465V, unless otherwise noted)

Symbol	Parameter	Condition	Limits		Unit
			Min	Max	
VDD	Power Supply Voltage		3.135	3.465	V
VDDQ	I/O Buffer Power Supply Voltage	VDDQ = 3.3V	3.135	3.465	V
		VDDQ = 2.5V	2.375	2.625	
VIH	High-level Input Voltage	VDDQ = 3.135~3.465V	2.0	VDDQ+0.3*	V
		VDDQ = 2.375~2.625V	1.7		
VIL	Low-level Input Voltage	VDDQ = 3.135~3.465V	-0.3*	0.8	V
		VDDQ = 2.375~2.625V		0.7	
VOH	High-level Output Voltage	IOH = -2.0mA	VDDQ-0.4		V
VOL	Low-level Output Voltage	IOL = 2.0mA		0.4	V
ILI	Input Leakage Current except ZZ and LBO#	VI = 0V ~ VDDQ		10	μA
	Input Leakage Current of LBO#	VI = 0V ~ VDDQ		100	
	Input Leakage Current of ZZ	VI = 0V ~ VDDQ		100	
ILO	Off-state Output Current	VI (G#) ≥ VIH, VO = 0V ~ VDDQ		10	μA
ICC1	Power Supply Current : Operating	Device selected; Output Open VI ≤ VIL or VI ≥ VIH ZZ ≤ VIL	6.0ns cycle(167MHz)	380	mA
			7.5ns cycle(133MHz)	350	
ICC2	Power Supply Current : Deselected	Device deselected VI ≤ VIL or VI ≥ VIH ZZ ≤ VIL	6.0ns cycle(167MHz)	160	mA
			7.5ns cycle(133MHz)	130	
ICC3	CMOS Standby Current (CLK stopped standby mode)	Device deselected; Output Open VI ≤ Vss+0.2V or VI ≥ VDDQ-0.2V CLK frequency=0Hz, All inputs static		30	mA
ICC4	Snooze Mode Standby Current	Snooze mode ZZ ≥ VDDQ-0.2V, LBO# ≥ VDD-0.2V		30	mA
ICC5	Stall Current	Device selected; Output Open CKE# ≥ VIH VI ≤ Vss+0.2V or VI ≥ VDDQ-0.2V	6.0ns cycle(167MHz)	130	mA
			7.5ns cycle(133MHz)	120	

Note17.*VILmin is -1.0V and VIHmax is VDDQ+1.0V in case of AC(Pulse width ≤ 2ns).

Note18."Device Deselected" means device is in power-down mode as defined in the truth table.

Renesas LSIs
M5M5V5636UG – 16

18874368-BIT(524288-WORD BY 36-BIT) NETWORK SRAM

DC ELECTRICAL CHARACTERISTICS 2 (Ta=0~70°C, VDD=2.375~2.625V, unless otherwise noted)

Symbol	Parameter	Condition	Limits		Unit
			Min	Max	
VDD	Power Supply Voltage		2.375	2.625	V
VDDQ	I/O Buffer Power Supply Voltage		2.375	2.625	V
V _{IH}	High-level Input Voltage		1.7	VDDQ+0.3*	V
V _{IL}	Low-level Input Voltage		-0.3*	0.7	V
V _{OH}	High-level Output Voltage	I _{OH} = -2.0mA	VDDQ-0.4		V
V _{OL}	Low-level Output Voltage	I _{OL} = 2.0mA		0.4	V
I _{LI}	Input Leakage Current except ZZ and LBO#	V _I = 0V ~ VDDQ		10	μA
	Input Leakage Current of LBO#	V _I = 0V ~ VDDQ		100	
	Input Leakage Current of ZZ	V _I = 0V ~ VDDQ		100	
I _{LO}	Off-state Output Current	V _I (G#) ≥ V _{IH} , V _O = 0V ~ VDDQ		10	μA
I _{CC1}	Power Supply Current : Operating	Device selected; Output Open, V _I ≤ V _{IL} or V _I ≥ V _{IH} , ZZ ≤ V _{IL}	6.0ns cycle(167MHz)	380	mA
			7.5ns cycle(133MHz)	350	
I _{CC2}	Power Supply Current : Deselected	Device deselected V _I ≤ V _{IL} or V _I ≥ V _{IH} , ZZ ≤ V _{IL}	6.0ns cycle(167MHz)	160	mA
			7.5ns cycle(133MHz)	130	
I _{CC3}	CMOS Standby Current (CLK stopped standby mode)	Device deselected; Output Open V _I ≤ V _{SS} +0.2V or V _I ≥ VDDQ-0.2V CLK frequency=0Hz, All inputs static		30	mA
I _{CC4}	Snooze Mode Standby Current	Snooze mode ZZ ≥ VDDQ-0.2V, LBO# ≥ VDD-0.2V		30	mA
I _{CC5}	Stall Current	Device selected; Output Open, CKE# ≥ V _{IH} V _I ≤ V _{SS} +0.2V or V _I ≥ VDDQ-0.2V	6.0ns cycle(167MHz)	130	mA
			7.5ns cycle(133MHz)	120	

Note17.*V_{ILmin} is -1.0V and V_{IHmax} is VDDQ+1.0V in case of AC(Pulse width ≤ 2ns).

Note18."Device Deselected" means device is in power-down mode as defined in the truth table.

CAPACITANCE

Symbol	Parameter	Conditions	Limits			Unit
			Min	Typ	Max	
CI	Input Capacitance	VI=GND, VI=25mVrms, f=1MHz			6	pF
Co	Input / Output(DQ) Capacitance	Vo=GND, Vo=25mVrms, f=1MHz			8	pF

Note19.This parameter is sampled.

THERMAL RESISTANCE

4-Layer PC board mounted (70x70x1.6mmT)

Symbol	Parameter	Conditions	Limits			Unit
			Min	Typ	Max	
θJA	Thermal Resistance Junction Ambient	Air velocity=0m/sec		28		°C/W
		Air velocity=2m/sec		20		°C/W
θJC	Thermal Resistance Junction to Case			4		°C/W

Note20.This parameter is sampled.

AC ELECTRICAL CHARACTERISTICS (Ta=0~70°C, VDD=3.135~3.465V or VDD=2.375~2.625V, unless otherwise noted)

(1)MEASUREMENT CONDITION

- Input pulse levels VIH=VDDQ, VIL=0V
- Input rise and fall times faster than or equal to 1V/ns
- Input timing reference levels VIH=VIL=0.5*VDDQ
- Output reference levels VIH=VIL=0.5*VDDQ
- Output load Fig.1

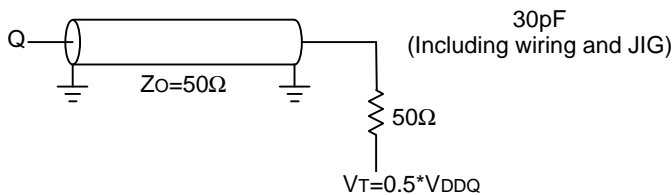


Fig.1 Output load

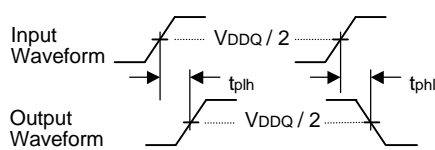


Fig.2 Tdly measurement

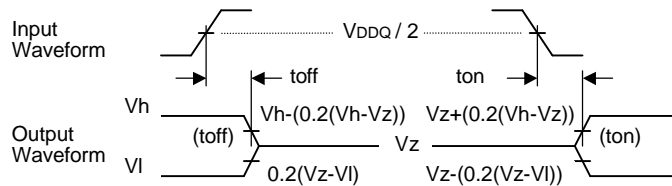


Fig.3 Tri-State measurement

Note21.Valid Delay Measurement is made from the VDDQ/2 on the input waveform to the VDDQ/2 on the output waveform.

Input waveform should have a slew rate of faster than or equal to 1V/ns.

Note22.Tri-state toff measurement is made from the VDDQ/2 on the input waveform to the output waveform moving 20% from its initial to final Value VDDQ/2.

Note:the initial value is not VOL or VOH as specified in DC ELECTRICAL CHARACTERISTICS table.

Note23. Tri-state ton measurement is made from the VDDQ/2 on the input waveform to the output waveform moving 20% from its initial Value VDDQ/2 to its final Value.

Note:the final value is not VOL or VOH as specified in DC ELECTRICAL CHARACTERISTICS table.

Note24.Clocks,Data,Address and control signals will be tested with a minimum input slew rate of faster than or equal to 1V/ns.

Renesas LSIs
M5M5V5636UG – 16

18874368-BIT(524288-WORD BY 36-BIT) NETWORK SRAM

(2)TIMING CHARACTERISTICS

Symbol	Parameter	Limits				Unit
		167MHz		133MHz		
		-16		-16		
		Min	Max	Min	Max	
tKHKH	Clock cycle time	6.0		7.5		ns
tKHKL	Clock HIGH time	2.7		3.0		ns
tCLKH	Clock LOW time	2.7		3.0		ns
tKHQV	Clock HIGH to output valid		3.8		4.2	ns
tKHQX	Clock HIGH to output invalid	1.5		1.5		ns
tKHQX1	Clock HIGH to output in LOW-Z	1.5		1.5		ns
tKHQZ	Clock HIGH to output in High-Z	1.5	3.8	1.5	4.2	ns
tGLQV	G# to output valid		3.8		4.2	ns
tGLQX1	G# to output in Low-Z	0.0		0.0		ns
tGHQZ	G# to output in High-Z		3.8		4.2	ns
tAVKH	Address valid to clock HIGH	1.2		1.2		ns
tckeVKH	CKE# valid to clock HIGH	1.2		1.2		ns
tadvVKH	ADV valid to clock HIGH	1.2		1.2		ns
tWVKH	Write valid to clock HIGH	1.2		1.2		ns
tBVKH	Byte write valid to clock HIGH (BWA#~BWd#)	1.2		1.2		ns
tEVKH	Enable valid to clock HIGH (E1#,E2,E3#)	1.2		1.2		ns
tDVKH	Data In valid clock HIGH	1.2		1.2		ns
tKHAX	Clock HIGH to Address don't care	0.8		0.8		ns
tKHckeX	Clock HIGH to CKE# don't care	0.8		0.8		ns
tKHadvX	Clock HIGH to ADV don't care	0.8		0.8		ns
tKHwX	Clock HIGH to Write don't care	0.8		0.8		ns
tKHBX	Clock HIGH to Byte Write don't care (BWA#~BWb#)	0.8		0.8		ns
tKHEX	Clock HIGH to Enable don't care (E1#,E2,E3#)	0.8		0.8		ns
tKHDX	Clock HIGH to Data In don't care	0.8		0.8		ns
tZZS	ZZ standby		2*tKHKH		2*tKHKH	ns
tZZREC	ZZ recovery		2*tKHKH		2*tKHKH	ns

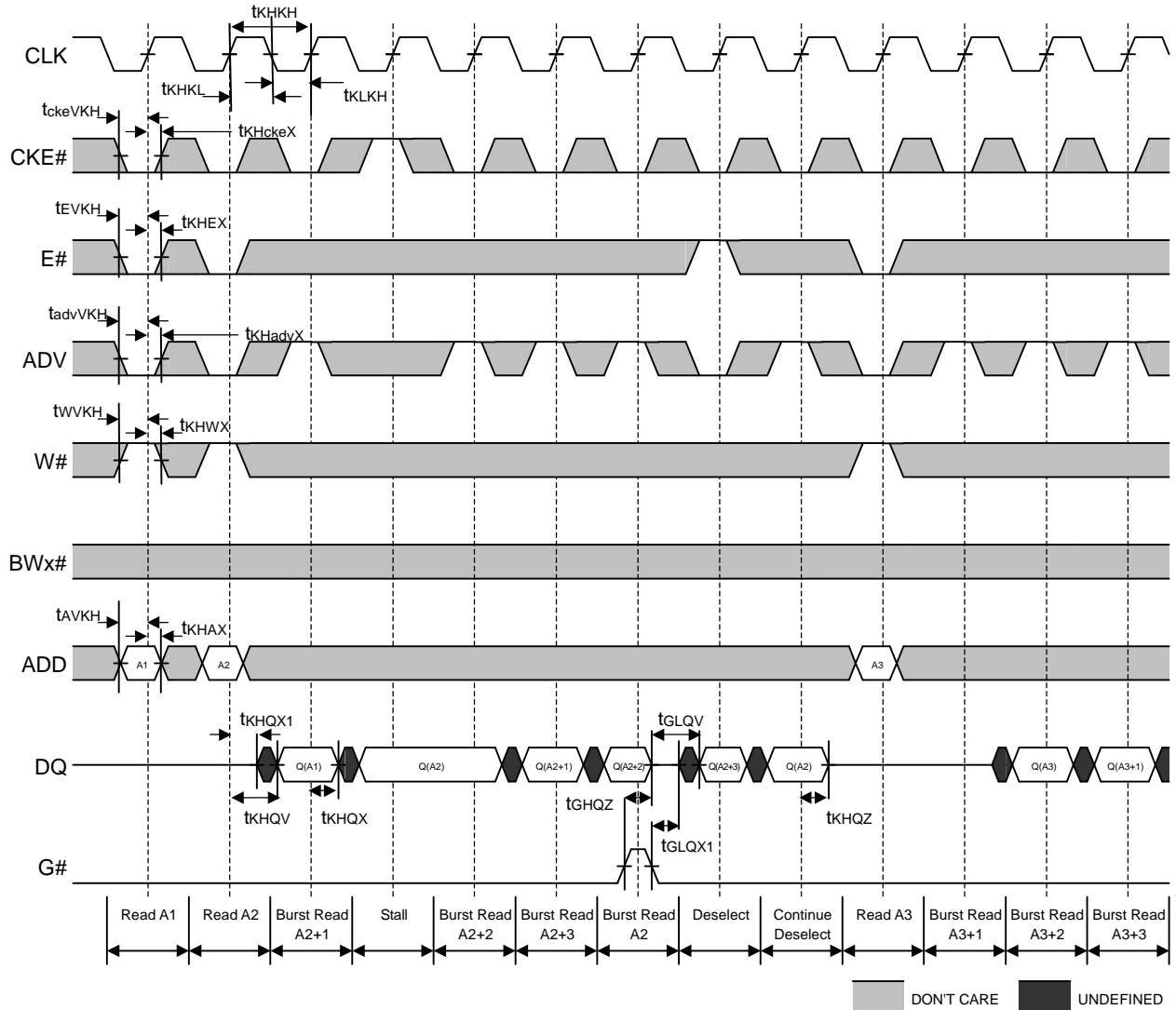
Note25.All parameter except tZZS, tZZREC in this table are measured on condition that ZZ=LOW fix.

Note26.Test conditions is specified with the output loading shown in Fig.1 unless otherwise noted.

Note27. tKHQX1, tKHQZ, tGLQX1, tGHQZ are sampled.

Note28.LBO# is static and must not change during normal operation.

(3)READ TIMING

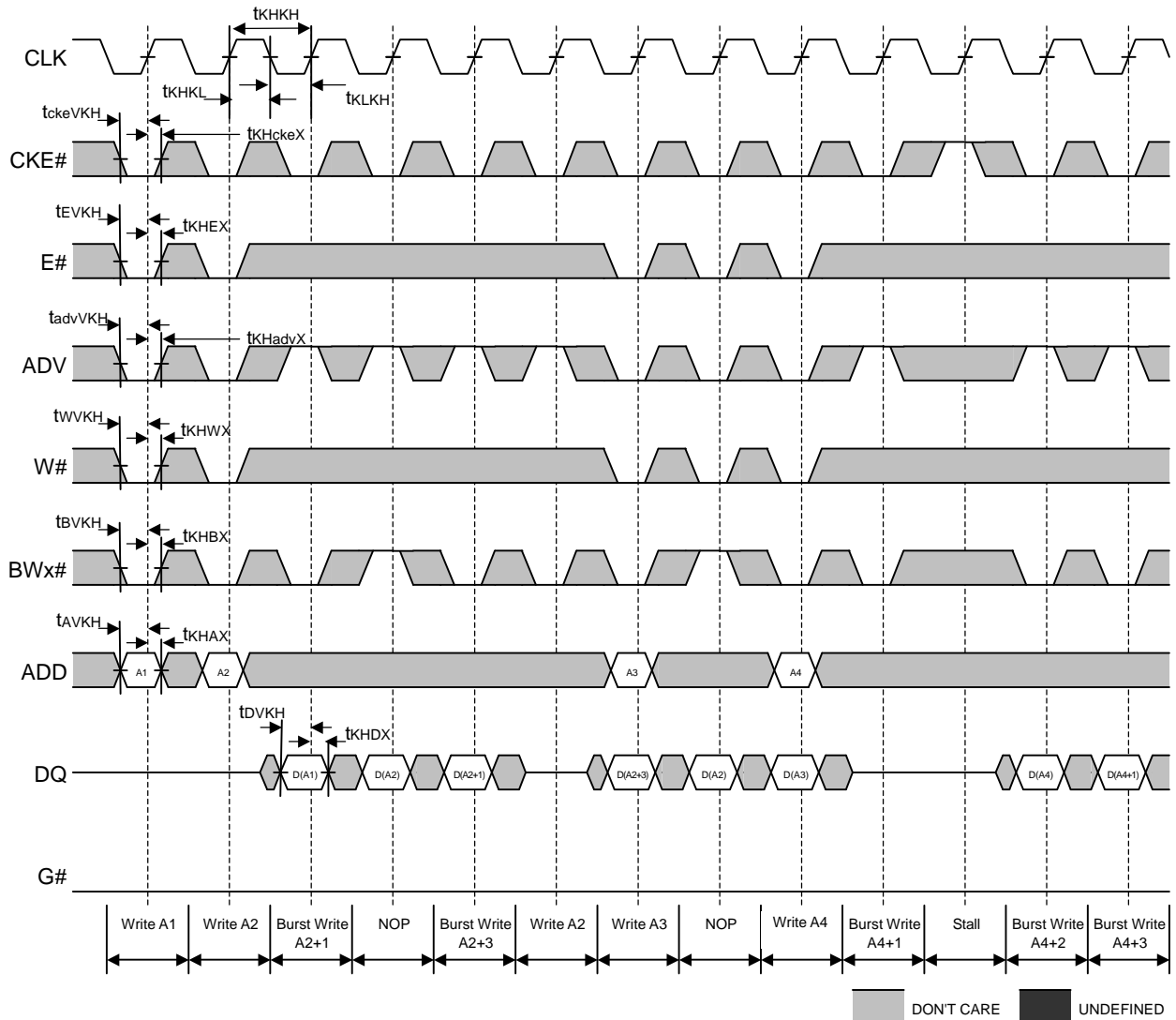


Note29. Q(An) refers to output from address An. Q(An+1) refers to output from the next internal burst address following An.

Note30. E# represents three signals. When E# is LOW, it represents E1# is LOW, E2 is HIGH and E3# is LOW.

Note31. ZZ is fixed LOW.

(4)WRITE TIMING

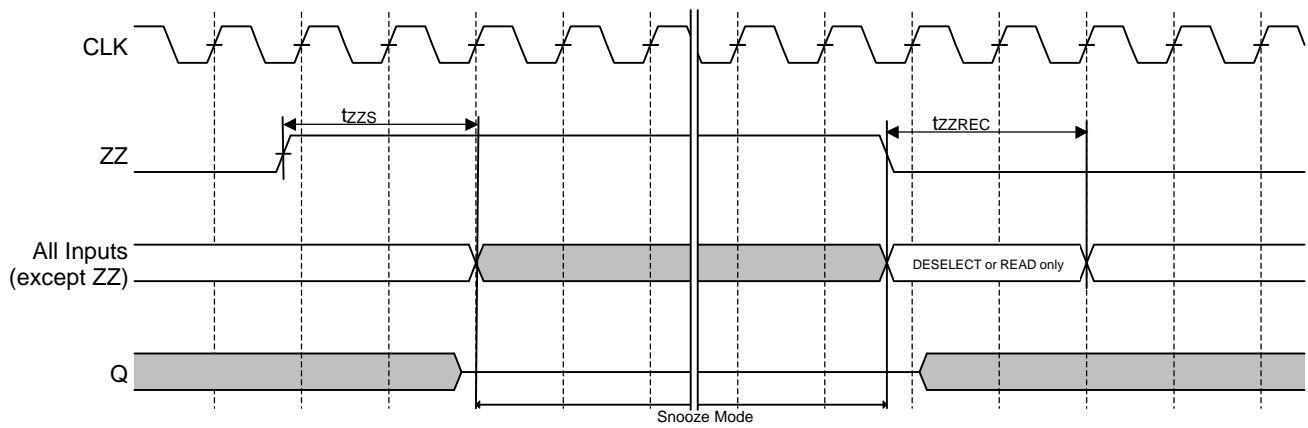


Note32.Q(A_n) refers to output from address A_n. Q(A_n+1) refers to output from the next internal burst address following A_n.

Note33. E# represents three signals. When E# is LOW, it represents E1# is LOW, E2 is HIGH and E3# is LOW.

Note34.ZZ is fixed LOW.

(6)SNOOZE MODE TIMING



JTAG PORT OPERATION

Overview

The JTAG Port on this SRAM operates in a manner consistent with IEEE Standard 1149.1-1990, a serial boundary scan interface standard (commonly referred to as JTAG), but does not implement all of the function required for 1149.1 compliance. The JTAG Port interfaces with conventional CMOS logic level signaling.

Disabling the JTAG port

It is possible to use this device without utilizing the JTAG port. The port is reset at power-up and will remain inactive unless clocked. To assure normal operation of the SRAM with the JTAG Port unused, the TCK, TDI and TMS pins may be left floating or tied to High. The TDO pin should be left unconnected.

JTAG Pin Description

Test Clock (TCK)

The TCK input is clock for all TAP events. All inputs are captured on the rising edge of TCK and the Test Data Out (TDO) propagates from the falling edge of TCK.

Test Mode Select (TMS)

The TMS input is sampled on the rising edge of TCK. This is the command input for the TAP Controller state machine. An undriven TMS input will produce the same result as a logic one input level.

Test Data In (TDI)

The TDI input is sampled on the rising edge of TCK. This is the input side of the serial registers placed between the TDI and TDO pins. The register placed between the TDI and TDO pins is determined by the state of the TAP Controller state machine and the instruction that is currently loaded in the TAP Instruction Register (refer to the TAP Controller State Diagram). An undriven TDI Input will produce the same result as a logic one input level.

Test Data Out (TDO)

The TDO output is active depending on the state of the TAP Controller state machine. Output changes in response to the falling edge of TCK. This is the output side of the serial registers placed between the TDI and TDO pins.

Note:

This device does not have a TRST (TAP Reset) pin. TRST is optional in IEEE 1149.1. The Test-Logic-Reset state is entered while TMS is held high for five rising edges of TCK. The TAP Controller is also reset automatically at power-up.

JTAG Port Registers

Overview

The various JTAG registers, referred to as Test Access Port or TAP Registers, are selected (one at a time) via the sequence of 1s and 0s applied to TMS as TCK is strobed. Each of TAP Registers are serial shift registers that capture serial input data on the rising edge of TCK and push serial data out on the next falling edge of TCK. When a register is selected, it is placed between the TDI and TDO pins.

Instruction Register

The Instruction Register holds the instructions that are executed by the TAP Controller when it is moved into the Run-Test/Idle, or the various data register states. Instructions are 3 bits long. The Instruction Register can be loaded when it is placed between the TDI and TDO pins. The Instruction Register is automatically preloaded with the IDCODE instruction at power-up or whenever the controller is placed in Test-Logic-Reset state.

Bypass Register

The Bypass register is a single-bit register that can be placed between the TDI and TDO pins. It allows serial test data to be passed through the SRAM's JTAG Port to another device in the scan chain with as little delay as possible.

Boundary Scan Register

The Boundary Scan Register is a collection of flip flops that can be preset by the logic level found on the SRAM's input or I/O pins. The flip flops are then daisy chained together so the levels found can be shifted serially out of the JTAG Port's TDO pins. The relationship between the device pins and the bits in the Boundary Scan Register is described in the Scan Order Table following. The Boundary Scan Register, under the control of the TAP Controller, is loaded with the contents of the SRAM's I/O ring when the controller is in the Capture-RD state and then is placed between the TDI and TDO pins when the controller is moved to the Shift-DR state. SAMPLE-Z, SAMPLE/PRELOAD and EXTEST instruction can be used to activate the Boundary Scan Register.

Identification (ID) Register

The ID register is a 32-bit register that is loaded with a device and vendor specific 32-bit code when the controllers put in the Capture-DR state with the IDCODE Instruction loaded in the Instruction Register. The code is loaded from 32-bit on-chip ROM. It describes various attributes of the SRAM (see page 20). The register is then placed between the TDI and TDO pins when the controller is moved into Shift-DR state. Bit 0 in the register is the LSB and the first to reach the TDO pin when shifting begins.

TAP Controller Instruction Set

Overview

There are two classes of instructions defined in the Standard 1149.1-1990; standard (Public) instructions, and device specific (Private) instructions. Some public instructions are mandatory for 1149.1 compliance. Optional Public instructions must be implemented in prescribed ways. The TAP Controller in this device is not fully 1194.1-compliant because some of the mandatory 1149.1 instructions are not fully implemented. The TAP on this device may be used to monitor all input and I/O pads. This device will not perform INTEST or PRELOAD portion of the SAMPLE/PRELOAD command.

When the TAP controller is placed in the Shift-IR state, the Instruction Register is placed between the TDI and TDO pins. In this state the desired instruction is serially loaded through the TDI input (while the previous contents are shifted out at the TDO output). For all instructions, the TAP executes newly loaded instructions only when the controller is moved to the Update-IR state. The TAP Instruction Set for this device is listed in the following table.

Instruction Descriptions

BYPASS

When the BYPASS instruction is loaded in the Instruction Register, the Bypass Register is placed between the TDI and TDO pins. This occurs when the TAP Controller is moved to the Shift-DR state. This allows the board level scan path to be shortened to facilitate testing of other devices in the scan path.

SAMPLE/PRELOAD

SAMPLE/PRELOAD is a Standard 1149.1 mandatory public instruction. When the SAMPLE/PRELOAD instruction is loaded in the Instruction Register, moving the TAP Controller into the Capture-DR state loads the data in the SRAM's input and I/O buffers into the Boundary Scan Register. Because the SRAM clock is independent from the TAP Clock (TCK) it is possible for the TAP to attempt to capture the I/O ring contents while the input buffers are in transition (i.e. in a metastable state). Although allowing the TAP to sample metastable inputs will not harm the device, repeatable results cannot be expected. SRAM input signals must be stabilized for long enough to meet the TAP's input data capture set-up plus hold time (t_{TS} plus t_{TH}). The SRAM's clock inputs need not be paused for any other TAP operation except capturing the I/O ring contents into the Boundary Scan Register. Moving the controller to the Shift-DR state then places the Boundary Scan Register between the TDI and TDO pins. Because the PRELOAD portion of the command is not implemented in this device, moving the controller to the Update-DR state with the SAMPLE/PRELOAD instruction loaded in the Instruction Register has the same effect as the Pause-DR command. This functionality is not Standard 1149.1 compliant.

EXTEST

EXTEST is an IEEE 1149.1 mandatory public instruction. It is to be executed whenever the Instruction Register is loaded with all logic 0s. EXTEST is not implemented in the TAP Controller, and therefore this device is not compliant to the 1149.1 Standard. When the EXTEST instruction is loaded into the Instruction Register, the device responds as if the SAMPLE/PRELOAD instruction has been loaded. There is one difference between the two instructions. Unlike the SAMPLE/PRELOAD instruction, EXTEST place the SRAM outputs in a High-Z state.

IDCODE

The IDCODE instruction cause the ID ROM to be loaded into the ID register when the controller is in the Capture-DR state and places the ID Register between the TDI and TDO pins in the Shift-DR state. The IDCODE instruction is the default instruction loaded in at power-up and any time the controller is placed in the Test-Logic-Reset state.

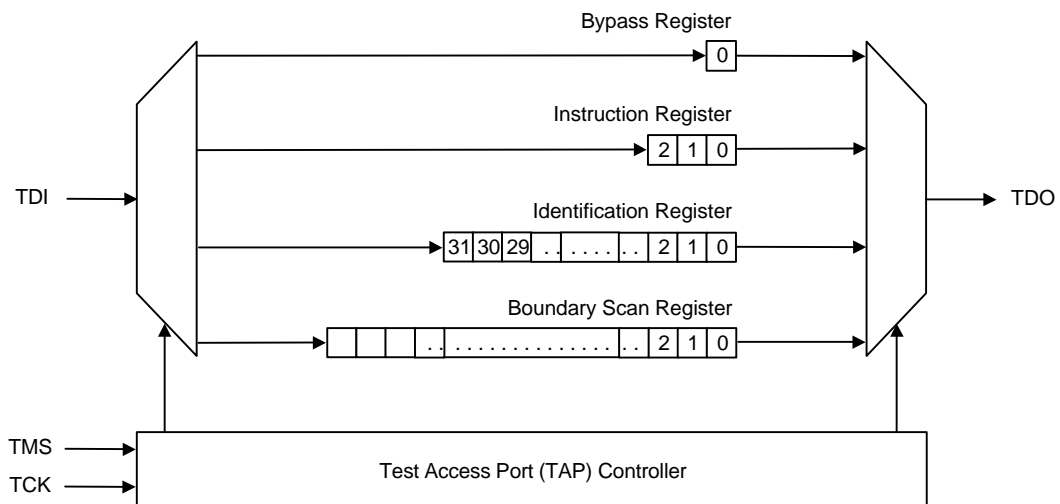
SAMPLE-Z

If the SAMPLE-Z instruction is loaded in the Instruction Register, all SRAM outputs are forced to an inactive drive state (High-Z) and the Boundary Scan Register is placed between the TDI and TDO pins when the TAP Controller is moved to the Shift-DR state.

RFU

These instructions are reserved for future use. Do not use these instructions.

JTAG TAP BLOCK DIAGRAM



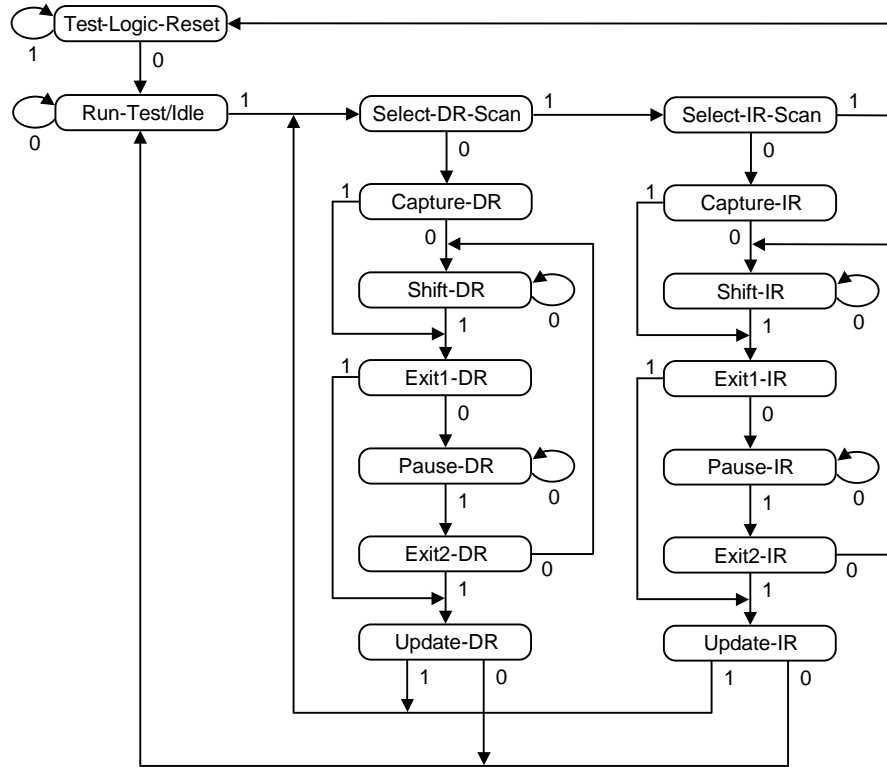
Renesas LSIs
M5M5V5636UG – 16

18874368-BIT(524288-WORD BY 36-BIT) NETWORK SRAM

BOUNDARY SCAN ORDER

Bit	Bump	Pin Name	Bit	Bump	Pin Name	Bit	Bump	Pin Name
0	8P	A15	27	10A	A8	54	1H	MCH
1	8R	A16	28	10B	A9	55	2H	MCH
2	9P	A13	29	9A	A17	56	2J	DQd
3	9R	A14	30	9B	A18	57	1J	DQd
4	10P	A11	31	8A	ADV	58	2K	DQd
5	10R	A12	32	8B	G#	59	1K	DQd
6	11R	A10	33	7A	CKE#	60	1L	DQd
7	11N	DQPa	34	7B	W#	61	2L	DQd
8	11M	DQa	35	6B	CLK	62	1M	DQd
9	10M	DQa	36	6A	E3#	63	2M	DQd
10	10L	DQa	37	5B	Bwa#	64	1N	DQPd
11	11L	DQa	38	5A	BWb#	65	1R	LBO#
12	10K	DQa	39	4A	BWc#	66	3R	A4
13	11K	DQa	40	4B	BWd#	67	3P	A5
14	10J	DQa	41	3B	E2	68	4R	A2
15	11J	DQa	42	3A	E1#	69	4P	A3
16	11H	ZZ	43	2A	A7	70	6P	A1
17	7N	MCH	44	2B	A6	71	6R	A0
18	11G	DQb	45	1C	DQPc			
19	10G	DQb	46	1D	DQc			
20	11F	DQb	47	2D	DQc			
21	10F	DQb	48	1E	DQc			
22	11E	DQb	49	2E	DQc			
23	10E	DQb	50	1F	DQc			
24	11D	DQb	51	2F	DQc			
25	10D	DQb	52	1G	DQc			
26	11C	DQPb	53	2G	DQc			

JTAG TAP CONTROLLER STATE DIAGRAM



TAP CONTROLLER DC ELECTRICAL CHARACTERISTICS1 (Ta=0~70°C, VDD=3.135~3.465V, unless otherwise noted)

Symbol	Parameter	Condition	Limits		Unit
			Min	Max	
VIHT	Test Port Input High Voltage		2.0	VDDQ+0.3 **	V
VILT	Test Port Input Low Voltage		-0.3 **	0.8	V
VOHT	Test Port Output High Voltage	IOH=-100µA	VDDQ-0.1	-	V
VOLT	Test Port Output Low Voltage	IoL=+100µA	-	0.1	V
IINT	TMS, TCK and TDI Input Leakage Current		-10	10	µA
IOLT	TDO Output Leakage Current	Output Disable, VOUT=0V~VDDQ	-10	10	µA

Note38. **Input Undershoot/Overshoot voltage must be -1.0V<Vi<VDDQ+1.0V with a pulse width not to exceed 20% tTCK.

TAP CONTROLLER DC ELECTRICAL CHARACTERISTICS2 (Ta=0~70°C, VDD=2.375~2.625V, unless otherwise noted)

Symbol	Parameter	Condition	Limits		Unit
			Min	Max	
VIHT	Test Port Input High Voltage		1.7	VDDQ+0.3 **	V
VILT	Test Port Input Low Voltage		-0.3 **	0.7	V
VOHT	Test Port Output High Voltage	IOH=-100µA	VDDQ-0.1	-	V
VOLT	Test Port Output Low Voltage	IoL=+100µA	-	0.1	V
IINT	TMS, TCK and TDI Input Leakage Current		-10	10	µA
IOLT	TDO Output Leakage Current	Output Disable, VOUT=0V~VDDQ	-10	10	µA

Note38. **Input Undershoot/Overshoot voltage must be -1.0V<Vi<VDDQ+1.0V with a pulse width not to exceed 20% tTCK.

TAP CONTROLLER AC ELECTRICAL CHARACTERISTICS

(Ta=0~70°C, VDD=3.135~3.465V or VDD=2.375~2.625V, unless otherwise noted)

(1) MEASUREMENT CONDITION

- Input pulse levels $V_{IH}=V_{DDQ}$, $V_{IL}=0V$
- Input rise and fall times faster than or equal to 1V/ns
- Input timing reference levels $V_{IH}=V_{IL}=0.5*V_{DDQ}$
- Output reference levels $V_{IH}=V_{IL}=0.5*V_{DDQ}$
- Output load Fig.4

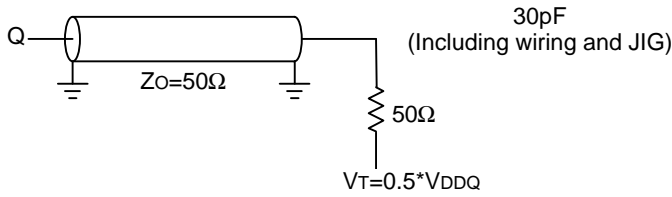
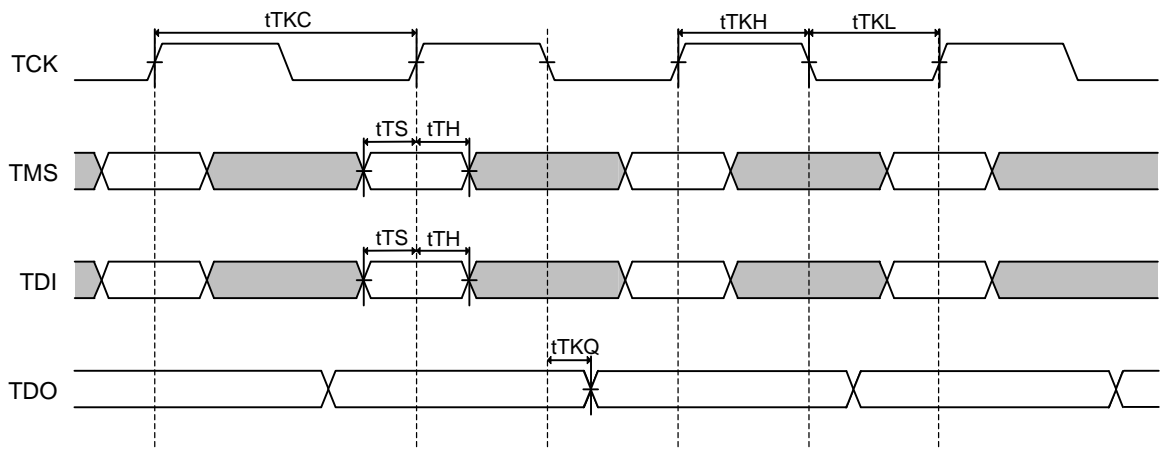


Fig.4 Output load

(2) TIMING CHARACTERISTICS

Symbol	Parameter	Limits		Unit
		Min	Max	
tTF	TCK Frequency		20	MHz
tTKC	TCK Cycle Time	50		ns
tTKH	TCK High Pulse Width	20		ns
tTKL	TCK Low Pulse Width	20		ns
tTS	TDI, TMS setup time	10		ns
tTH	TDI, TMS hold time	10		ns
tTKQ	TCK Low to TDO valid		20	ns

(3) TIMING



Renesas LSIs
M5M5V5636UG – 16

18874368-BIT(524288-WORD BY 36-BIT) NETWORK SRAM

JTAG TAP INSTRUCTION SET SUMMARY

Instruction	Code	Description
EXTEST	000	Captures I/O ring contents. Places the Boundary Scan Register between TDI and TDO. Forces all SRAM outputs to High-Z state. This instruction is not 1149.1-compliant.
IDCODE	001	Preloads ID Register and places it between TDI and TDO
SAMPLE-Z	010	Captures I/O ring contents. Places the Boundary Scan Register between TDI and TDO. Forces all Data output drivers to High-Z
RFU	011	Do not use this instruction; Reserved for Future Use.
SAMPLE/PRELOAD	100	Captures I/O ring contents. Places the Boundary Scan Register between TDI and TDO. This instruction dose not implement 1149.1 preload function and is therefore not 1149.1-compliant.
RFU	101	Do not use this instruction; Reserved for Future Use.
RFU	110	Do not use this instruction; Reserved for Future Use.
BYPASS	111	Places the BYPASS Register between TDI and TDO.

STRUCTURE OF IDENTIFICATION REGISTER

Bit No.	Revision				Device Information																JEDEC Vendor Code of RENESAS											
	31	30	29	28	27	26	25	24	23	22	21	20	19	18	17	16	15	14	13	12	11	10	9	8	7	6	5	4	3	2	1	0
M5M5V5636	0	0	0	0	0	0	1	0	1	0	1	0	1	0	0	0	1	1	0	0	0	1	0	0	0	1	0	0	0	1	1	1
	MSB																LSB															

PACKAGE OUTLINE

165(11x15) bump Ball Grid Array(BGA) Pin Pitch 1.00mm

Refer to JEDEC Standard MO-216, Variation CAB-1,

which can be seen at:

<http://www.jedec.org/download/search/MO-216c.pdf>

Renesas LSIs
M5M5V5636UG – 16

18874368-BIT(524288-WORD BY 36-BIT) NETWORK SRAM

REVISION HISTORY

Rev. No.	History	Date																																					
1.0	<p>The semiconductor operations of HITACHI and MITSUBISHI Electric were transferred to RENESAS Technology Corporation on April 1st 2003. Both RENESAS and MITSUBISHI JEDEC vendor code are as follows</p> <table border="1" style="margin-left: 40px;"> <thead> <tr> <th style="text-align: center;">Bit No.</th> <th style="text-align: center;">11</th> <th style="text-align: center;">10</th> <th style="text-align: center;">9</th> <th style="text-align: center;">8</th> <th style="text-align: center;">7</th> <th style="text-align: center;">6</th> <th style="text-align: center;">5</th> <th style="text-align: center;">4</th> <th style="text-align: center;">3</th> <th style="text-align: center;">2</th> <th style="text-align: center;">1</th> </tr> </thead> <tbody> <tr> <td style="text-align: center;">RENESAS</td> <td style="text-align: center;">0</td> <td style="text-align: center;">1</td> <td style="text-align: center;">0</td> <td style="text-align: center;">0</td> <td style="text-align: center;">0</td> <td style="text-align: center;">1</td> <td style="text-align: center;">0</td> <td style="text-align: center;">0</td> <td style="text-align: center;">0</td> <td style="text-align: center;">1</td> <td style="text-align: center;">1</td> </tr> <tr> <td style="text-align: center;">MITSUBISHI</td> <td style="text-align: center;">0</td> <td style="text-align: center;">0</td> <td style="text-align: center;">0</td> <td style="text-align: center;">0</td> <td style="text-align: center;">0</td> <td style="text-align: center;">0</td> <td style="text-align: center;">1</td> <td style="text-align: center;">1</td> <td style="text-align: center;">1</td> <td style="text-align: center;">0</td> <td style="text-align: center;">0</td> </tr> </tbody> </table>	Bit No.	11	10	9	8	7	6	5	4	3	2	1	RENESAS	0	1	0	0	0	1	0	0	0	1	1	MITSUBISHI	0	0	0	0	0	0	1	1	1	0	0	August 1, 2003	Preliminary
Bit No.	11	10	9	8	7	6	5	4	3	2	1																												
RENESAS	0	1	0	0	0	1	0	0	0	1	1																												
MITSUBISHI	0	0	0	0	0	0	1	1	1	0	0																												
2.0	<p>Eliminate preliminary Be guaranteed 2.5V operation Eliminate M5M5V5636UG-13 Changed PD(Maximum Power Dissipation) from 1180mW to 1.6W</p>	March31, 2004																																					

Renesas Technology Corp.

Nippon Bldg.,6-2,Oteamchi 2-chome,Chiyoda-ku,Tokyo,100-0004 Japan

Keep safety first in your circuit designs!

- Renesas Technology Corporation puts the maximum effort into making semiconductor products better and more reliable, but there is always the possibility that trouble may occur with them. Trouble with semiconductors may lead to personal injury, fire or property damage. Remember to give due consideration to safety when making your circuit designs, with appropriate measures such as (i) placement of substitutive, auxiliary circuits, (ii) use of nonflammable material or (iii) prevention against any malfunction or mishap.

Notes regarding these materials

- These materials are intended as a reference to assist our customers in the selection of the Renesas Technology Corporation product best suited to the customer's application; they do not convey any license under any intellectual property rights, or any other rights, belonging to Renesas Technology Corporation or a third party.
- Renesas Technology Corporation assumes no responsibility for any damage, or infringement of any third-party's rights, originating in the use of any product data, diagrams, charts, programs, algorithms, or circuit application examples contained in these materials.
- All information contained in these materials, including product data, diagrams, charts, programs and algorithms represents information on products at the time of publication of these materials, and are subject to change by Renesas Technology Corporation without notice due to product improvements or other reasons. It is therefore recommended that customers contact Renesas Technology Corporation or an authorized Renesas Technology Corporation product distributor for the latest product information before purchasing a product listed herein. The information described here may contain technical inaccuracies or typographical errors. Renesas Technology Corporation assumes no responsibility for any damage, liability, or other loss rising from these inaccuracies or errors. Please also pay attention to information published by Renesas Technology Corporation by various means, including the Renesas Technology Corporation Semiconductor home page (<http://www.renesas.com>).
- When using any or all of the information contained in these materials, including product data, diagrams, charts, programs, and algorithms, please be sure to evaluate all information as a total system before making a final decision on the applicability of the information and products. Renesas Technology Corporation assumes no responsibility for any damage, liability or other loss resulting from the information contained herein.
- Renesas Technology Corporation semiconductors are not designed or manufactured for use in a device or system that is used under circumstances in which human life is potentially at stake. Please contact Renesas Technology Corporation or an authorized Renesas Technology Corporation product distributor when considering the use of a product contained herein for any specific purposes, such as apparatus or systems for transportation, vehicular, medical, aerospace, nuclear, or undersea repeater use.
- The prior written approval of Renesas Technology Corporation is necessary to reprint or reproduce in whole or in part these materials.
- If these products or technologies are subject to the Japanese export control restrictions, they must be exported under a license from the Japanese government and cannot be imported into a country other than the approved destination. Any diversion or reexport contrary to the export control laws and regulations of Japan and/or the country of destination is prohibited.
- Please contact Renesas Technology Corporation for further details on these materials or the products contained therein.