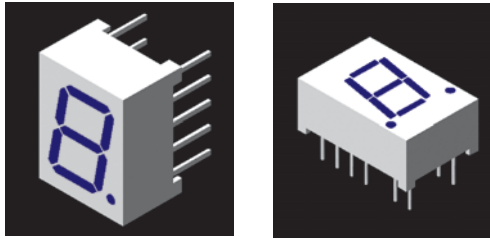


LED Displays ~ Seven Segment ~ Numeric



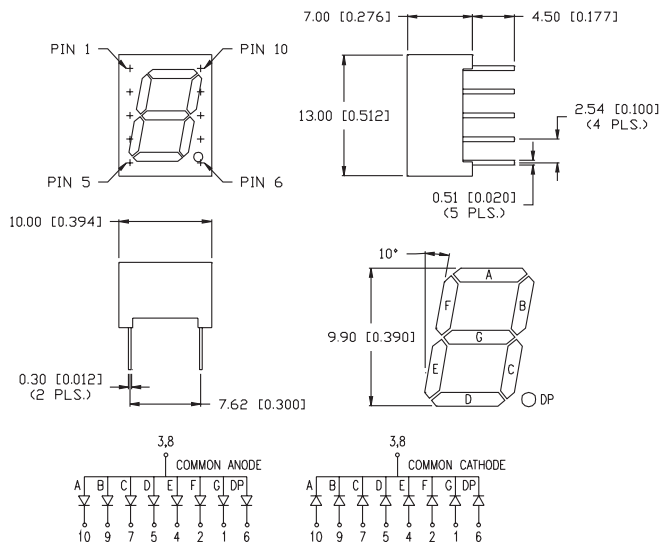
Single Digit



Features/Options

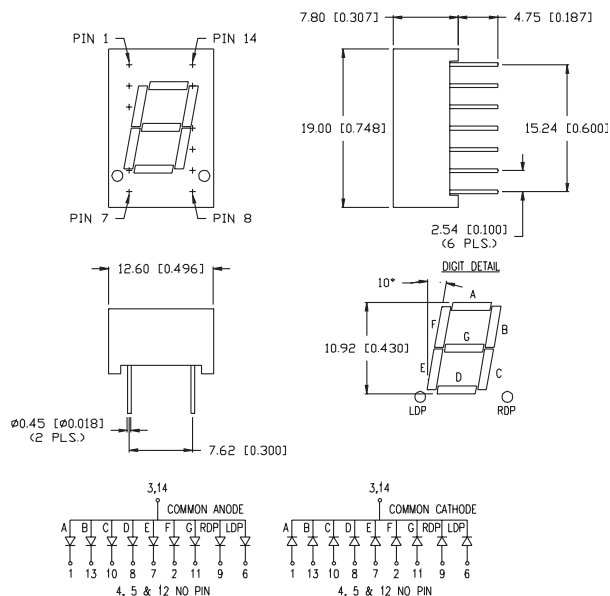
- ▶ Standard and high brightness chips
- ▶ Intensity grading available
- ▶ Custom sizes at minimal tooling
- ▶ Face and segment off colors in grey and milky white

0.39" single digit



Part Number	Wave Length (nm)	Brightness (μcd) @ 10mA	Vf (typ) 10mA	Vf (max) 10mA	Emitted Color	Polarity (common)
LDS-A3902RI	565	2500	2.2	2.6	Green	Anode
LDS-A3904RI	635	2500	2.0	2.5	Red	Anode
LDS-A3906RI	660	8000	1.7	2.2	Red	Anode
LDS-A3902RI-SUG	574	7000	2.2	2.6	Green	Anode
LDS-A3904RI-SI	636	15,000	2.0	2.6	Red	Anode
LDS-A3907RI-USB	470	6000	3.5	4.0	Blue	Anode
LDS-C3902RI	565	2500	2.2	2.6	Green	Cathode
LDS-C3904RI	635	2500	2.0	2.5	Red	Cathode
LDS-C3906RI	660	8000	1.7	2.2	Red	Cathode
LDS-C3902RI-SUG	574	7000	2.2	2.6	Green	Cathode
LDS-C3904RI-SI	636	15,000	2.0	2.6	Red	Cathode
LDS-C3907RI-USB	470	6000	3.5	4.0	Blue	Cathode

0.40" single digit



Part Number	Wave Length (nm)	Brightness (μcd) @ 10mA	Vf (typ) 10mA	Vf (max) 10mA	Emitted Color	Polarity (common)
LDS-A412BI	565	2500	2.2	2.6	Green	Anode
LDS-A414BI	635	2500	2.0	2.5	Red	Anode
LDS-A416BI	660	8000	1.7	2.2	Red	Anode
LDS-A412BI-SUG	574	7000	2.2	2.6	Green	Anode
LDS-A414BI-SI	636	15,000	2.0	2.6	Red	Anode
LDS-A417BI-USB	470	6000	3.5	4.0	Blue	Anode
LDS-C412BI	565	2500	2.2	2.6	Green	Cathode
LDS-C414BI	635	2500	2.0	2.5	Red	Cathode
LDS-C416BI	660	8000	1.7	2.2	Red	Cathode
LDS-C412BI-SUG	574	7000	2.2	2.6	Green	Cathode
LDS-C414BI-SI	636	15,000	2.0	2.6	Red	Cathode
LDS-C417BI-USB	470	6000	3.5	4.0	Blue	Cathode



USA/Canada +1-800-278-5666
 Europe +49-6081-964380
 Asia +886-3-5821124



www.lumex.com



USA/Canada +1-847-359-8904
 Europe +49-6081-964381
 Asia +886-3-5821154

- 1
- 2
- 3
- 4
- 5
- 6
- 7
- 8
- 9
- 10
- 11
- 12
- 13
- 14
- 15
- 16
- 17
- 18
- 19
- 20
- 21
- 22
- 23
- 24
- 25
- 26
- 27
- 28
- 29