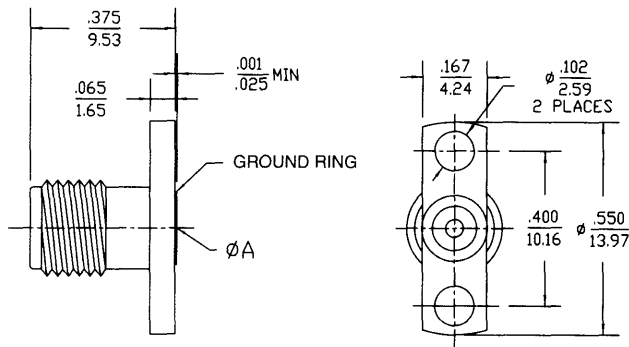
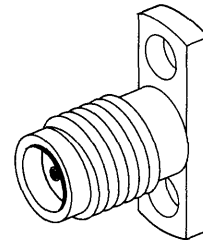


CATALOG DRAWING (FOR REFERENCE ONLY)

■ Body: Stainless Steel, passivated



**Jack Receptacle
Field Replaceable
2 Hole Flange Mount
27 GHz**

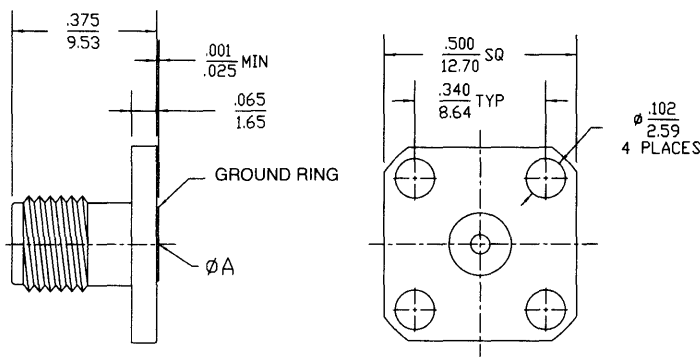


Order No.	Accepts Pin Diameter
	A
73251-1020	.305 (0.012)
73251-1000	.381 (0.015)
73251-0980	.457 (0.018)
73251-0960	.508 (0.020)

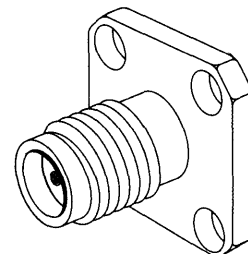
RF Coaxial Connectors

CATALOG DRAWING (FOR REFERENCE ONLY)

■ Body: Stainless Steel, passivated



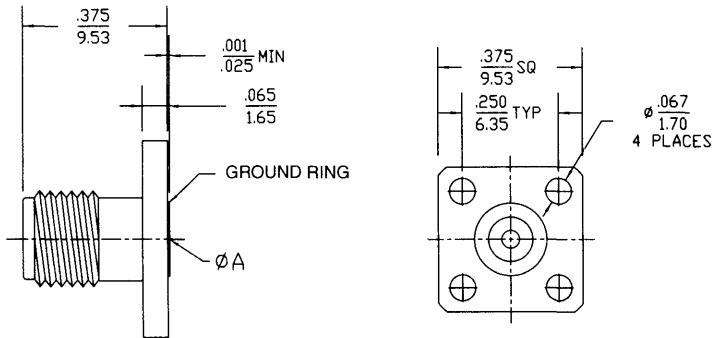
**Jack Receptacle
Field Replaceable
4 Hole Flange Mount
27 GHz**



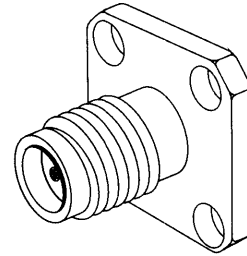
Order No.	Accepts Pin Diameter
	A
73251-0160	.305 (0.012)
73251-0820	.381 (0.015)
73251-0800	.457 (0.018)
73251-0140	.508 (0.020)

CATALOG DRAWING (FOR REFERENCE ONLY)

■ Body: Stainless Steel, passivated



**Jack Receptacle
Field Replaceable
4 Hole Flange Mount
27 GHz**



Order No.	Accepts Pin Diameter
	A
73251-0900	.305 (0.012)
73251-0880	.381 (0.015)
73251-0860	.457 (0.018)
73251-0840	.508 (0.020)