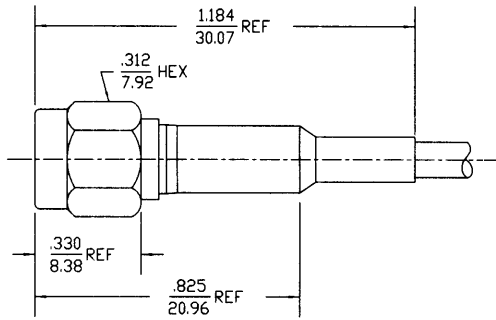
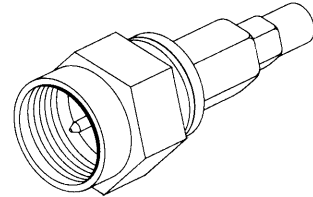


CATALOG DRAWING (FOR REFERENCE ONLY)

- Body: Stainless Steel, passivated
- Center contact crimp or solder termination
- Crimp braid termination
- Packaging: Individual



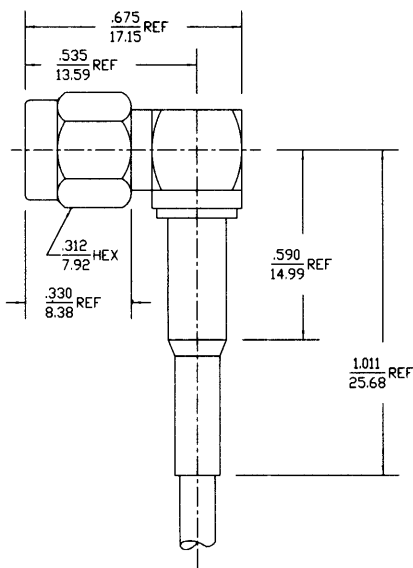
**Plug
Straight
Crimp/Crimp
Cable**



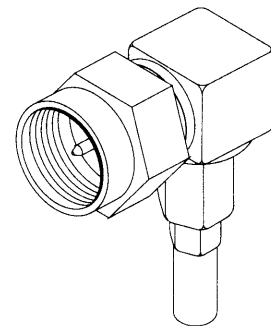
Order No.	Cable Group	Assembly Instructions
73251-0151	RG174, 179, 187, 188, 316	ES-89675-1580
73251-0131	RG58, 141, 303	ES-89675-1570

CATALOG DRAWING (FOR REFERENCE ONLY)

- Body: Stainless Steel, passivated
- Center contact solder termination
- Crimp braid termination
- Packaging: Individual



**Plug
Right Angle
Solder/Crimp
Cable**



Order No.	Cable Group	Assembly Instructions
73251-0211	RG174, 179, 187, 188, 316	ES-89675-1600
73251-0191	RG58, 141, 303	ES-89675-1590