

PLEASE CHECK WWW.MOLEX.COM FOR LATEST PART INFORMATION

Part Number: [0029110053](#)
Status: **Active**
Overview: [spox](#)
Description: 2.50mm (.098") Pitch SPOX™ Wire-to-Wire Plug Housing, Friction Lock, Optional Mounting Ears, 5 Circuits

Documents:

[3D Model](#) [Product Specification PS-51191-003 \(PDF\)](#)
[Drawing \(PDF\)](#) [RoHS Certificate of Compliance \(PDF\)](#)
[Product Specification PS-5102-003 \(PDF\)](#)

Agency Certification

CSA	LR19980
TUV	R72090224
UL	E29179

General

Product Family	Crimp Housings
Series	5240
Overview	spox
Product Name	SPOX™

Physical

Circuits (maximum)	5
Flammability	94V-0
Gender	Male
Glow-Wire Compliant	No
Lock to Mating Part	Yes
Number of Rows	1
Packaging Type	Bag
Panel Mount	No, Yes
Pitch - Mating Interface (in)	0.098 In
Pitch - Mating Interface (mm)	2.50 mm
Stackable	No
Temperature Range - Operating	-40°C to +105°C

Material Info

Old Part Number	5240-051
-----------------	----------

Reference - Drawing Numbers

Packaging Specification	SPK-5240-001
Product Specification	PS-5102-003, PS-51191-003
Sales Drawing	SD-5240-N1

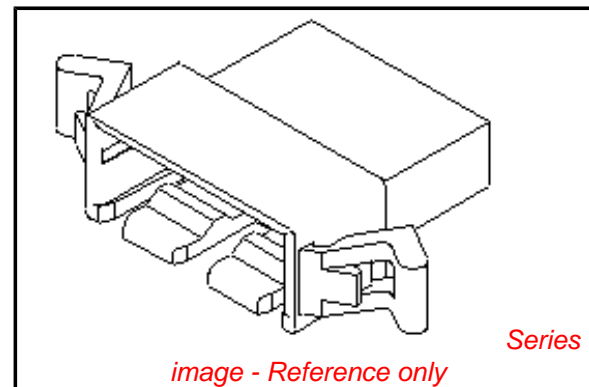


image - Reference only

EU RoHS

ELV and RoHS Compliant
REACH SVHC Contains SVHC: No
Halogen-Free Status

China RoHS



Need more information on product environmental compliance?

Email productcompliance@molex.com
 For a multiple part number RoHS Certificate of Compliance, [click here](#)

Please visit the [Contact Us](#) section for any non-product compliance questions.

Search Parts in this Series

[5240Series](#)

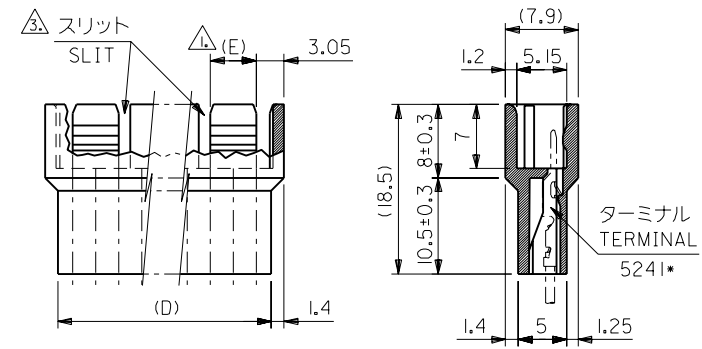
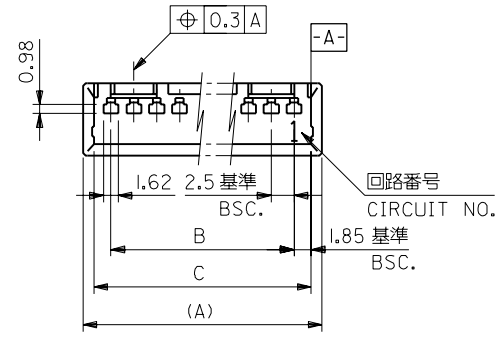
Mates With

[51191 Housing](#)

Use With

[5241](#)

PLEASE CHECK WWW.MOLEX.COM FOR LATEST PART INFORMATION



注) NOTE.

- △ フリクションロック構成:
FRICITION LOCK CONFIGURATION:
4極までは1箇所
4CKT AND UNDER - 1LOCK
5極以上は2箇所
5CKT AND OVER - 2LOCKS
- 2. 嵌合相手: 5102-N
MATES WITH HOUSING: 5102-N
- △ スリット構成:
SLIT CONFIGURATION:
4極以下はなし
4CKT AND UNDER - NO SLIT
5及び6極は1箇所
5 AND 6CKTS - 1 SLIT
7極以上は2箇所
7CKT AND OVER - 2 SLITS

29-11-0153	5240-151	35	38.7	4.1	5	38.3		15
▲ -0143	▲ -141	32.5	36.2	38.6	5	35.8		14
-0133	-131	30	33.7	36.1	5	33.3		13
-0123	-121	27.5	31.2	33.6	5	30.8		12
-0113	-111	25	28.7	31.1	5	28.3		11
-0103	-101	22.5	26.2	28.6	5	25.8		10
-0093	-091	20	23.7	26.1	5	23.3		9
-0083	-081	17.5	21.2	23.6	5	20.8		8
-0073	-071	15	18.7	21.1	5	18.3		7
-0063	-061	12.5	16.2	18.6	5	15.8		6
-0053	-051	10	13.7	16.1	3.75	13.3		5
-0043	-041	7.5	11.2	13.6	7.5	10.8		4
▼ -0033	▼ -031	5	8.7	11.1	5	8.3		3
29-11-0023	5240-021	2.5	6.2	8.6	2.5	5.8		2
EDP. NO.	ENG. NO.	B	C	(A)	(E)	(D)		極数 CKT.

DO NOT SCALE DRAWING

EC NO. DRWN: CHK: APPR:	EC NO. DRWN: CHK: APPR:	EC NO. DRWN: CHK: APPR:	EC NO. DRWN: CHK: APPR:	REDRAWN EC NO. JC2000-0629 DRWN: K.KOHAMA 000/3/28 CHK: T.YAMAGUCHI 007/3/30 APPR: M.FUKUSHIMA 007/3/30	MATERIAL 材料 ナイロン66, 94V-0 NYLON66, 94V-0 色: オフホワイト COLOR: OFF WHITE	GENERAL TOLERANCES: (UNLESS SPECIFIED) 一般公差	SCALE 2:1	DESIGN UNITS <input checked="" type="checkbox"/> mm <input type="checkbox"/> INCH	THIRD ANGLE PROJECTION <input type="checkbox"/> mm <input type="checkbox"/> INCH <input checked="" type="checkbox"/> mm ONLY	SHT REV	REVISE ON CAD ONLY
WIRE RANGE 適用線径範囲 //					INS. RANGE 被覆外径 //		CAD FILENAME S5240.S01		MATERIAL NO. 5240-***I	DRAWING NO. SD-5240-NI	SHEET NO. 1
THIS DRAWING CONTAINS INFORMATION THAT IS PROPRIETARY TO MOLEX INCORPORATED AND SHOULD NOT BE USED WITHOUT WRITTEN PERMISSION.										SIZE B	EN-02J(097) MXJ-54