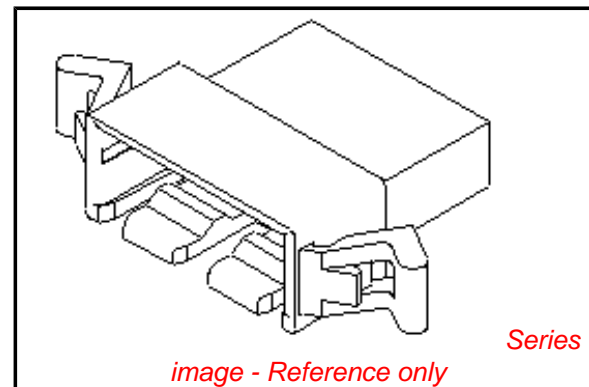


**PLEASE CHECK WWW.MOLEX.COM FOR LATEST PART INFORMATION**

**Part Number:** [0029110052](#)  
**Status:** **Active**  
**Overview:** [spox](#)  
**Description:** 2.50mm (.098") Pitch SPOX™ Wire-to-Wire Plug Housing, Friction Lock, Optional Mounting Ears, 5 Circuits

**Documents:**

|   |  |
|---|--|
| <a href="#">3D Model</a>                                | <a href="#">Product Specification PS-51191-003 (PDF)</a> |
| <a href="#">Drawing (PDF)</a>                           | <a href="#">RoHS Certificate of Compliance (PDF)</a>     |
| <a href="#">Product Specification PS-5102-003 (PDF)</a> |  |



*image - Reference only*

**Agency Certification**

|     |           |
|-----|-----------|
| CSA | LR19980   |
| TUV | R72090224 |
| UL  | E29179    |

**General**

|                |                      |
|----------------|----------------------|
| Product Family | Crimp Housings       |
| Series         | <a href="#">5240</a> |
| Overview       | <a href="#">spox</a> |
| Product Name   | SPOX™                |

**Physical**

|                               |                 |
|-------------------------------|-----------------|
| Circuits (maximum)            | 5               |
| Flammability                  | 94V-0           |
| Gender                        | Male            |
| Glow-Wire Compliant           | No              |
| Lock to Mating Part           | Yes             |
| Number of Rows                | 1               |
| Packaging Type                | Bag             |
| Panel Mount                   | No, Yes         |
| Pitch - Mating Interface (in) | 0.098 In        |
| Pitch - Mating Interface (mm) | 2.50 mm         |
| Stackable                     | No              |
| Temperature Range - Operating | -40°C to +105°C |

**Material Info**

|                 |         |
|-----------------|---------|
| Old Part Number | 5240-05 |
|-----------------|---------|

**Reference - Drawing Numbers**

|                         |                           |
|-------------------------|---------------------------|
| Packaging Specification | SPK-5240-001              |
| Product Specification   | PS-5102-003, PS-51191-003 |
| Sales Drawing           | SD-5240-001               |

**EU RoHS**

**ELV and RoHS Compliant**  
**REACH SVHC Contains SVHC: No**  
**Halogen-Free Status**  
**Not Reviewed**

**China RoHS**



**Need more information on product environmental compliance?**

Email [productcompliance@molex.com](mailto:productcompliance@molex.com)  
 For a multiple part number RoHS Certificate of Compliance, [click here](#)

Please visit the [Contact Us](#) section for any non-product compliance questions.

**Search Parts in this Series**

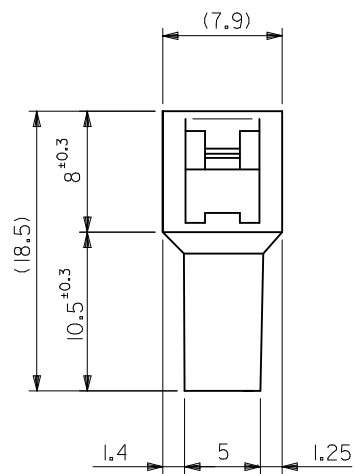
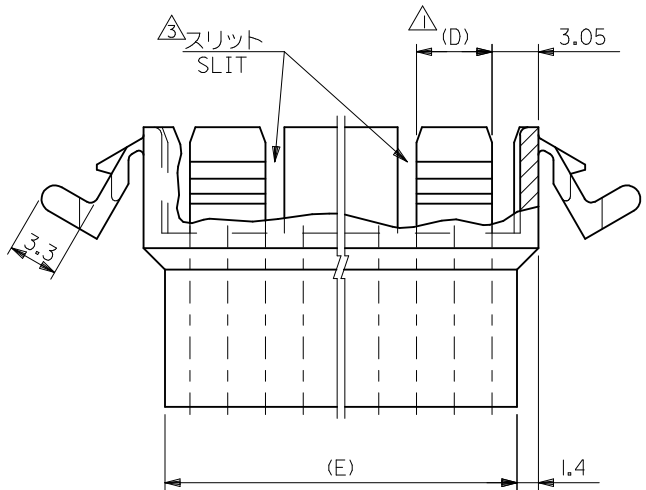
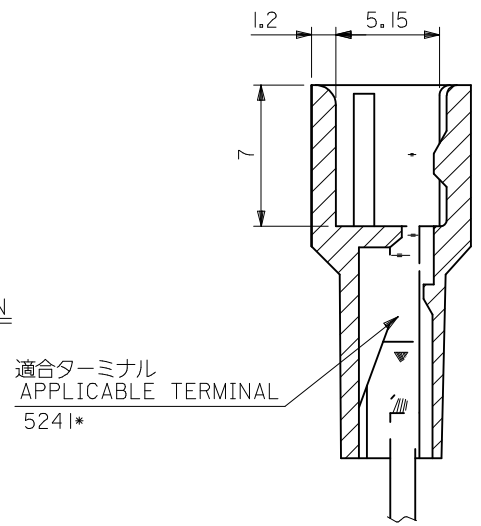
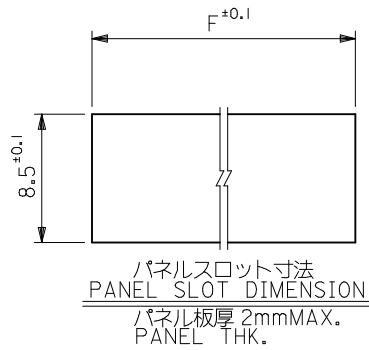
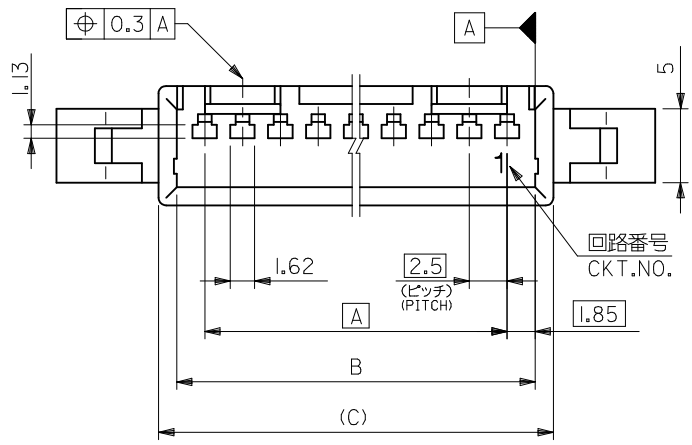
[5240Series](#)

**Mates With**

[51191 Housing](#)

**Use With**

[5241](#)



|      |      |      |      |      |      |            |              |                   |
|------|------|------|------|------|------|------------|--------------|-------------------|
| 44.9 | 38.3 | 5    | 41.1 | 38.7 | 35   | 29-11-0152 | 5240-15      | 15                |
| 37.4 | 30.8 | 5    | 33.6 | 31.2 | 27.5 | -0122      | -12          | 12                |
| 34.9 | 28.3 | 5    | 31.1 | 28.7 | 25   | -0112      | -11          | 11                |
| 32.4 | 25.8 | 5    | 28.6 | 26.2 | 22.5 | -0102      | -10          | 10                |
| 29.9 | 23.3 | 5    | 26.1 | 23.7 | 20   | -0092      | -09          | 9                 |
| 27.4 | 20.8 | 5    | 23.6 | 21.2 | 17.5 | -0082      | -08          | 8                 |
| 24.9 | 18.3 | 5    | 21.1 | 18.7 | 15   | -0072      | -07          | 7                 |
| 22.4 | 15.8 | 5    | 18.6 | 16.2 | 12.5 | -0062      | -06          | 6                 |
| 19.9 | 13.3 | 3.75 | 16.1 | 13.7 | 10   | -0052      | -05          | 5                 |
| 17.4 | 10.8 | 7.5  | 13.6 | 11.2 | 7.5  | -0042      | -04          | 4                 |
| 14.9 | 8.3  | 5    | 11.1 | 8.7  | 5    | -0032      | -03          | 3                 |
| 12.4 | 5.8  | 2.5  | 8.6  | 6.2  | 2.5  | 29-11-0022 | 5240-02      | 2                 |
| F    | (E)  | (D)  | (C)  | B    | A    | EDP. NO.   | MATERIAL NO. | 極数<br>NO. OF CKT. |

注記 NOTE

- △ 4極までは1箇所、5極以上は2箇所。  
FRICTION LOCK CONFIGURATION:  
4CKT. AND UNDER — 1 LOCK  
5CKT. AND OVER — 2 LOCKS
- 2. 嵌合相手: 5102-N  
MATE WITH HOUSING: 5102-N
- △ 4極以下はなし、5及び6極は1箇所、7極以上は2箇所。  
SLIT CONFIGURATION:  
4CKT AND UNDER — NO SLIT  
5 AND 6CKTS — 1 SLIT  
7CKT AND OVER — 2 SLIT

材料  
MATERIAL  
NYLON66,UL94V-0

|  |  |                             |                  |                               |                           |
|--|--|-----------------------------|------------------|-------------------------------|---------------------------|
| REVISED<br>EC NO: J2009-0885<br>DRWN:NAKAMURA 2008/12/15<br>CHKD:T. HARUYAMA 2008/12/15<br>APPR:NUKITA 2009/01/14                              | GENERAL TOLERANCES<br>(UNLESS SPECIFIED)                   | DIMENSION STYLE<br>MM ONLY  | SCALE<br>---     | DESIGN UNITS<br>METRIC        | MODEL NO. 5240-N          |
|  | 10 UNDER ±0.2  | DRAWN BY<br>Y. KANNO        | DATE<br>'98/7/23 | TITLE<br>MINI SPOX. PLUG HSG. | THIRD ANGLE<br>PROJECTION |
|  | 10 OVER 30 UNDER ±0.25                                     | CHECKED BY<br>K. T.         | DATE<br>'98/7/24 | MATERIAL NO.                  | SHEET NO.<br>1 OF 1       |
|  | 30 OVER ±0.30  | APPROVED BY<br>M. FUKUSHIMA | DATE<br>'98/7/24 | DOCUMENT NO.<br>SD-5240-001   |                           |
| ANGULAR ±3 °   | DRAFT WHERE APPLICABLE<br>MUST REMAIN<br>WITHIN DIMENSIONS |                             |                  |                               |                           |
| SIZE<br>A3<br>THIS DRAWING CONTAINS INFORMATION THAT IS PROPRIETARY TO MOLEX<br>INCORPORATED AND SHOULD NOT BE USED WITHOUT WRITTEN PERMISSION |  |                             |                  |                               |                           |