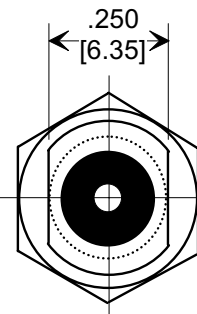
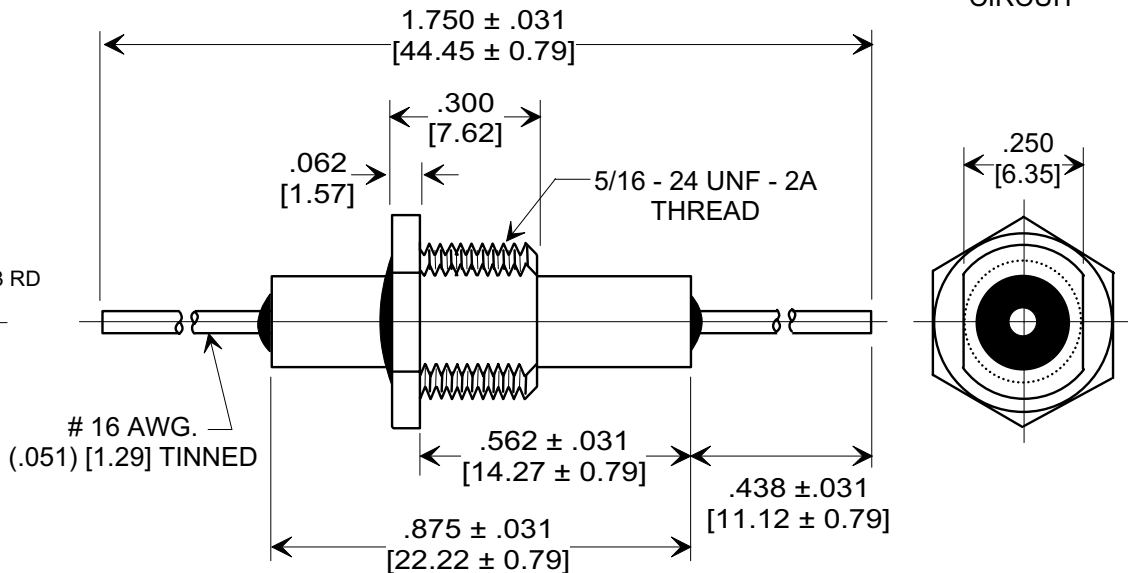
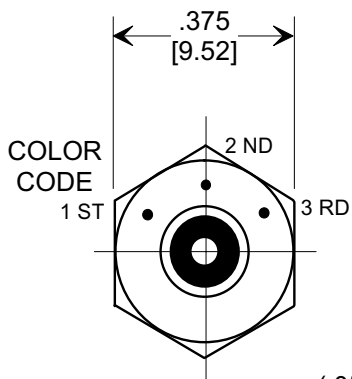
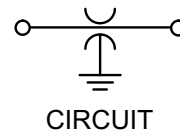
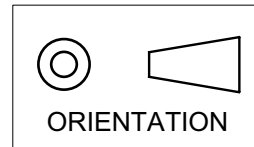


Electrical Testing  
per Tusonix standard  
test plans and Mil-Std-202  
Test Methods.

**MARKETING SALES DRAWING**  
**DIMENSIONS IN INCHES - DO NOT SCALE THIS DRAWING**  
**DIMENSIONS IN METRIC - [ ]**



**SPECIFICATIONS**

TUSONIX PART NO.	2432-002-X7S0-471M
Cap. Value:	470 pF
Cap. Tol.:	± 20 %
Temp. Char.:	X7S
Operating Temp.:	-55°C TO +125°C
Working Voltage:	1 KVDC @ +125 °C, 2KVDC @ +85°C.
D.W.V.:	4 KVDC
To Tusonix Spec Unless Stated Otherwise	

NOTE:  
1. INCLUDES NUT AND LOCK WASHER.

<b>REVISION RECORD</b>	Original Release	0	<b>TUSONIX</b> TUCSON, ARIZONA	--TOLERANCES-- Unless Otherwise Specified		Title <b>HIGH VOLTAGE FEED - THRU CAPACITOR</b>	
	C.O. 19990628-3-01			DECIMAL ± .015 [0.38]			
	CIRCUIT SYMBOL & METRIC DIM'S ADDED L.E. 09-19-01	1		ANGLES ±		Approved E.F. 06-28-99	
	20010918-5-01					<b>A</b> 2432-002-X7S0-471M	