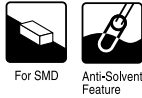
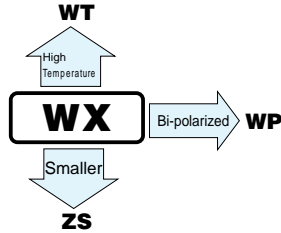


WX series 5.5mmL Chip Type



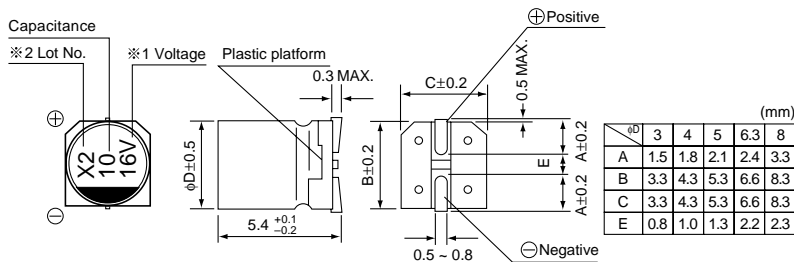
- Chip type with 5.5mm height.
- Designed for surface mounting on high density PC board.
- Applicable to automatic mounting machine using carrier tape.
- Load life of 2000 hours at 85°C.



Specifications

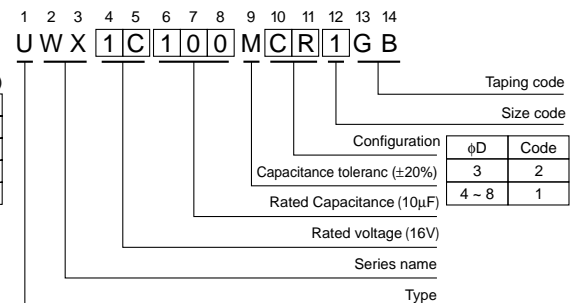
Item	Performance Characteristics								
Category Temperature Range	-40 ~ +85°C								
Rated Voltage Range	4 ~ 50V								
Rated Capacitance Range	0.1 ~ 330μF								
Capacitance Tolerance	±20% at 120Hz, 20°C								
Leakage Current	After 2 minutes' application of rated voltage, leakage current is not more than 0.01CV or 3 (μA), whichever is greater.								
tan δ	Measurement frequency : 120Hz, Temperature : 20°C								
	Rated voltage (V)	4	6.3	10	16	25	35	50	Values in () applicable to WR, φ3 case size.
tan δ (MAX.)	0.35 (0.40)	0.26 (0.30)	0.20 (0.24)	0.16 (0.19)	0.14 (0.16)	0.12 (0.14)	0.12 (0.14)		
Stability at Low Temperature	Measurement frequency : 120Hz								
	Rated voltage (V)	4	6.3	10	16	25	35	50	
	Impedance ratio ZT / Z20 (MAX.)	Z-25°C / Z+20°C	7	4	3	2	2	2	2
Endurance	After 2000 hours' application of rated voltage at 85°C, capacitors meet the characteristic requirements listed at right.	Capacitance change	Within ±20% of initial value (Within ±25% for 4 V and φ3,WR series units)						
		tan δ	200% or less of initial specified value						
		Leakage Current	Initial specified value or less						
Shelf Life	After leaving capacitors under no load at 85°C for 1000 hours, they meet the specified value for endurance characteristics listed above.								
Resistance to soldering heat	The capacitors shall be kept on the hot plate maintained at 250°C for 30 seconds. After removing from the hot plate and restored at room temperature, they meet the characteristic requirements listed at right.	Capacitance change	Within ±10% of initial value						
		tan δ	Initial specified value or less						
		Leakage current	Initial specified value or less						
Marking	Black print on the case top.								

Chip Type



- ※1. Voltage mark for 6.3V is 「6V」.
- In case of marking for φ3 units, "V" for rated voltage is omitted.
- ※2. In case of marking for φ3 units, Lot No. is expressed by a digit (month code).

Type numbering system (Example : 16V 10μF)



- The lead-free product is also available upon request.
- In this case, [L] will be put at 11th digit of type numbering system.
- In the case of size φ3 in (), parentheses, use WX in the 2nd and 3rd digit and put a [2] in the 12th digit of type numbering system.

● Dimension table in next page.



■Dimensions

V Cap. (μF) Code		4		6.3		10		16		25		35		50	
		0G	0J	1A	1C	1E	1V	1H							
0.1	0R1													4 (3)	1.0
0.22	R22													4 (3)	2.0
0.33	R33													4 (3)	2.8
0.47	R47													4 (3)	4.0
1	010													4 (3)	8.4 (8.0)
2.2	2R2											3	8.4	4 (3)	13 (10)
3.3	3R3											3	10	4	17
4.7	4R7									4 (3)	16 (12)	4	18	●5	20 (18)
10	100							4 (3)	23 (18)	●5	27 (24)	●5	29 (24)	○6.3	33 (30)
22	220	3	19	4 (3)	28 (21)	●5	33 (30)	●5	37 (30)	○6.3	42 (38)	○6.3	46 (39)	□8	52 (43)
33	330	4	28	●5	37 (34)	●5	41 (34)	○6.3	49 (44)	○6.3	52 (46)	□8	62 (53)	8	71
47	470	4	33	●5	45 (40)	○6.3	52 (47)	○6.3	58 (52)	□8	70 (60)	8	80		
56	560	5	42	○6.3	52 (46)	○6.3	57 (50)	○6.3	63 (57)	□8	76 (65)				
100	101	5	56	○6.3	70 (47)	○6.3	76 (54)	6.3	86	8	110				
150	151	6.3	79	6.3	71	□8	111 (76)								
220	221	6.3	96	□8	110 (74)	8	135								
330	331	8	145	8	170										

() is also available with φ3mm upon request. Rated Ripple (mA rms) at 85°C 120Hz
 ● = φ3 units and WR Series

• In the case of size φ3 in (), parentheses, use WX at 2nd and 3rd digit and put 2 at the 12th digit of type numbering system.

Size φ4 is available for capacitors marked. " ● " }
 Size φ5 is available for capacitors marked. " ○ " } In such a case, WR will be put at 2nd and 3rd digit of type numbering system.
 Size φ6.3 is available for capacitors marked. " □ " }

●Frequency coefficient of rated ripple current

Frequency	50 Hz	120 Hz	300 Hz	1 kHz	10 kHz~
Coefficient	0.70	1.00	1.17	1.36	1.50

- Taping specifications are given in page 22.
- Recommended land size are given in page 23
- Please refer to page 3 for the minimum order quantity.