

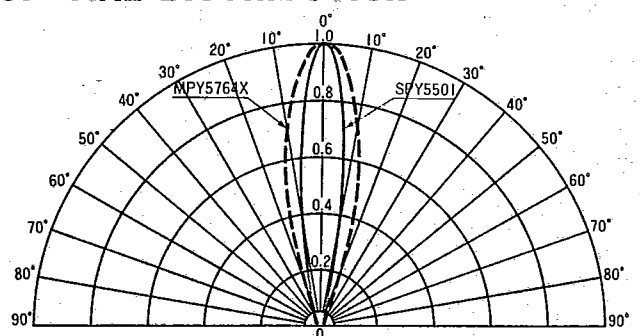
SUPER BRIGHT LED

T-41-21

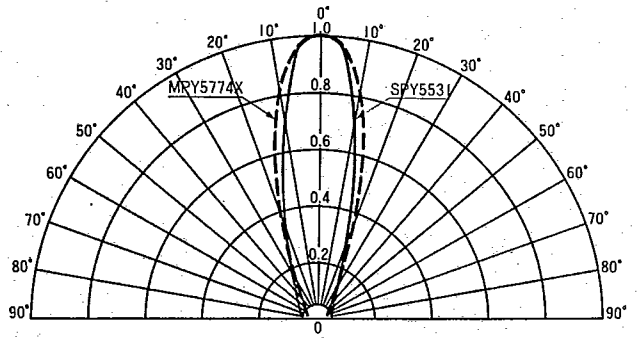
▼ ROUND SHAPE $\phi 5(T-1 \ 3/4)$ TYPE LED

Shape	Type No.	Emitted Color	Lens	Peak Wave length λ_p (nm)	Luminous Intensity			Features	Fig.		
					MIN.	TYP.	I_f (mA)				
	ESBR/SBR5501	Red	Water clear	660	80/40	180/80	20	<ul style="list-style-type: none"> ES□□ are extra super bright types. Taping is available. (57□1, see fig 2) Most popular shape in T-1 3/4 package. Long lead types (57□1) have the same characteristics with those of 55□1. 	1		
	SPR5501			700	6	12	10				
	SAR5501			650	3	6	20				
	ESAA/SAA5501	Orange		605	60/30	90/60	20				
	ESAY/SAY5501	Yellow		580	60/30	90/60	20				
	ESPY/SPY5501			570	80/40	160/80	20				
ESBG/SBG5501	Pure Green	555	50/20	80/40	20						
	ESBR/SBR5531	Red	Red	660	20/8	30/20	20			<ul style="list-style-type: none"> Low-current types. Taping is available 	3
	SPR5531			700	3	6	10				
	SAR5531			650	1.5	3	20				
	ESAA/SAA5531	Orange	Orange	605	16/8	24/16	20				
	ESAY/SAY5531	Yellow	Yellow	580	16/8	24/16	20				
	ESPY/SPY5531	Green	570	30/15	45/30	20					
SPG5531	565		12	24	20						
ESBG/SBG5531	Pure Green	555	8/5	12/8	20						
	MVR5764X	Red	Pastel Red	630	50	100	20	<ul style="list-style-type: none"> Low-current types. Taping is available 	3		
	MPR5764X			700	5	10	10				
	MAA5764X			Orange	Pastel Orange	605	50				
	MAY5764X	Yellow	Pastel Yellow	580	40	80	20				
	MPY5764X	Green	570	60	120	20					
	MPG5764X		560	50	100	20					
MBG5764X	Pure Green	Pastel Green	555	20	40	20					
	MVR5774X	Red	Pastel Red	630	30	60	20			<ul style="list-style-type: none"> Low-current types. Taping is available 	3
	MPR5774X			700	3	6	10				
	MAA5774X			Orange	Pure Orange	605	25				
	MAY5774X	Yellow	Pastel Yellow	580	20	40	20				
	MPY5774X	Green	570	30	60	20					
	MPG5774X		560	20	40	20					
MBG5774X	Pure Green	Pastel Green	555	8	16	20					

▼ SPATIAL DISTRIBUTION



Clear Type



Diffused Type

▼ PACKAGE DIMENSIONS Unit: mm

