

Customer Information Sheet

DRAWING No.: M80-868XXXX

SHEET 2 OF 2

IF IN DOUBT - ASK

(C)

NOT TO SCALE

THIRD ANGLE PROJECTION

ALL DIMENSIONS IN mm

SPECIFICATIONS:

MATERIAL:
 MOULDING = GLASS FILLED PBT,
 UL94V-0, BLACK

CONTACTS = PHOSPHOR BRONZE

FINISH:
 CONTACTS:
 22 = 0.75µ GOLD ON CONTACT AREA,
 3.0µ 90/10 TIN/LEAD ON TAILS
 05 = 0.75µ GOLD

2.00 x No. OF WAYS
 PER ROW + 3.55 MAX

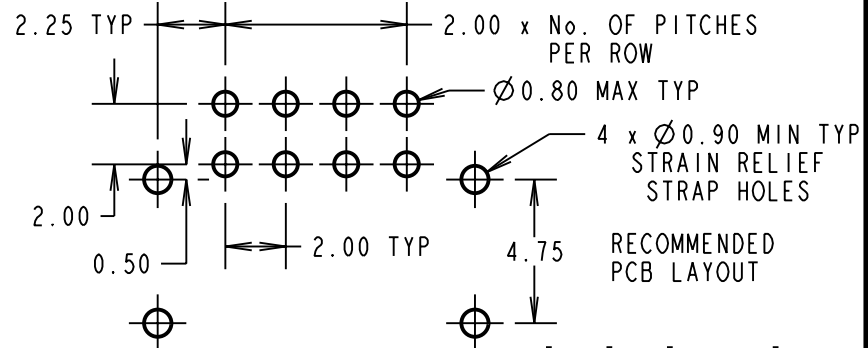
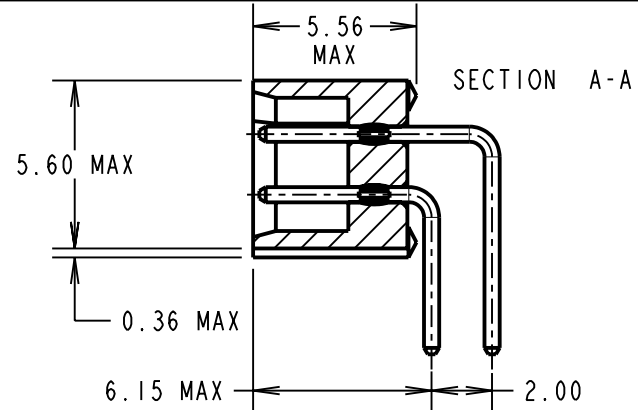
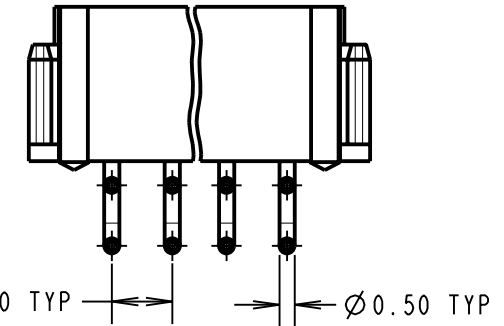
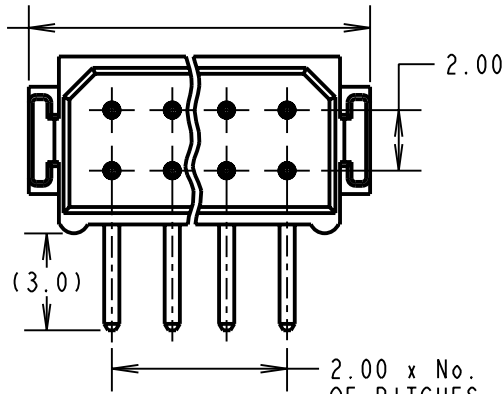
ELECTRICAL:
 CURRENT RATING (25°C) = 3.0A MAX.
 CURRENT RATING (85°C) = 2.2A MAX.
 WORKING VOLTAGE = 120V AC/DC
 VOLTAGE PROOF = 360V AC/DC
 CONTACT RESISTANCE (INITIAL) = 20 mΩ MAX.
 CONTACT RESISTANCE (AFTER CONDITIONING) = 25 mΩ MAX.
 INSULATION RESISTANCE (INITIAL) = 1000 MΩ MIN.
 INSULATION RESISTANCE (AFTER CONDITIONING) = 100 MΩ MIN.

MECHANICAL:
 DURABILITY = 500 OPERATIONS

ENVIRONMENTAL:
 TEMPERATURE RANGE = -55°C TO +125°C

PACKING:
 TUBE

FOR COMPLETE SPECIFICATION, SEE COMPONENT
 SPECIFICATION C005XX (LATEST ISSUE)



BRITISH STANDARD ORDER CODE:
B5743-2XX-M-L-X

TOTAL No. OF WAYS
 04, 06, 08, 10, 12, 14, 16,
 18, 20, 26, 34, 44

FINISH:
 0 = SELECTIVE GOLD
 2 = GOLD

ORDER CODE:
M80-868XXXX

TOTAL No. OF WAYS
 04, 06, 08, 10, 12, 14, 16,
 18, 20, 26, 34, 44

FINISH:
 05 = GOLD
 22 = SELECTIVE GOLD

- NOTES:**
- 2-OFF STRAIN RELIEF STRAPS M80-0030006 ARE INCLUDED WITH EACH CONNECTOR
 - FOR RoHS COMPLIANT EQUIVALENT PRODUCT USE M80-841XXXX

CP	14	01.10.09	10303
NAME	ISS.	DATE	C/NOTE
APPROVED: C.PENROSE			
CHECKED: R.ADDE			
DRAWN: W. J. BOURNE			
CUSTOMER REF.:			
ASSEMBLY DRG:			

HARWIN

HARWIN USA TEL: 603 893 5376 FAX: 603 893 5396 mis@harwin.com	HARWIN Europe (UK) TEL: 023 9231 4545 FAX: 023 9231 4590 mis@harwin.co.uk	HARWIN Asia TEL: +65 6 779 4909 FAX: +65 6 779 3868 mis@harwin.com.sg
--	--	--

THIS DRAWING AND ANY INFORMATION OR DESCRIPTIVE MATTER SET OUT HEREON ARE CONFIDENTIAL AND COPYRIGHT PROPERTY OF THE HARWIN GROUP AND MUST NOT BE DISCLOSED, LOANED, COPIED OR USED FOR MANUFACTURING, TENDERING OR FOR ANY OTHER PURPOSE WITHOUT THEIR WRITTEN PERMISSION.

TOLERANCES
 X. = ±1mm
 X.X = ±0.25mm
 X.XX = ±0.10mm
 X.XXX = ±0.01mm

ANGLES = ±5°
 UNLESS STATED

MATERIAL:
 SEE ABOVE

FINISH: SEE ABOVE

S/AREA: mm²

TITLE: DATAMATE DIL
 HORIZONTAL MALE PC TAIL
 ASSEMBLY - UNLATCHED

DRAWING NUMBER:
M80-868XXXX

SHT 2 OF 2