

# Fast 2-Phase, No $R_{SENSE}$ Buck Controller with Output Tracking

## FEATURES

- Very Low Duty Factor Operation ( $t_{ON(MIN)} < 85ns$ )
- No  $R_{SENSE}^{TM}$  Option for Maximum Efficiency
- Very Fast Transient Response
- Programmable Output Voltage Up/Down Tracking
- 2-Phase Operation Reduces Input Capacitance
- $0.6V \pm 1\%$  Output Voltage Reference
- External Frequency Synchronization
- Monotonic Soft-Start
- Onboard High Current MOSFET Drivers
- Wide  $V_{IN}$  Range: Up to 36V
- Adjustable Cycle-by-Cycle Current Limit
- Instant Output Overvoltage Protection
- Optional Short-Circuit Shutdown Timer
- Power Good Output with  $100\mu s$  Masking
- Available in  $5mm \times 5mm$  QFN Package

## APPLICATIONS

- Digital Signal Processors
- Network Servers

## DESCRIPTION

The LTC<sup>®</sup>3708 is a dual, 2-phase synchronous step-down switching regulator with output voltage up/down tracking capability. The IC allows either coincident or ratiometric tracking. Multiple LTC3708s can be daisy-chained in applications requiring more than two voltages to be tracked. Power supply sequencing is accomplished using an external soft-start timing capacitor.

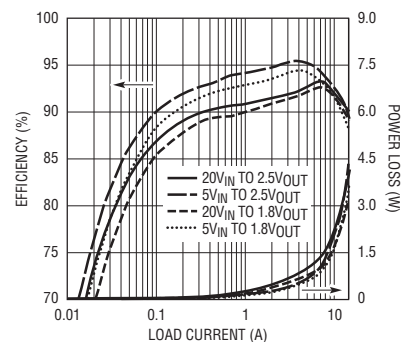
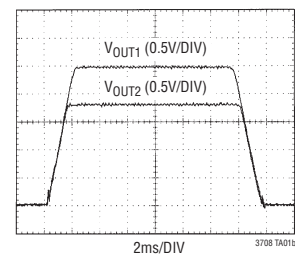
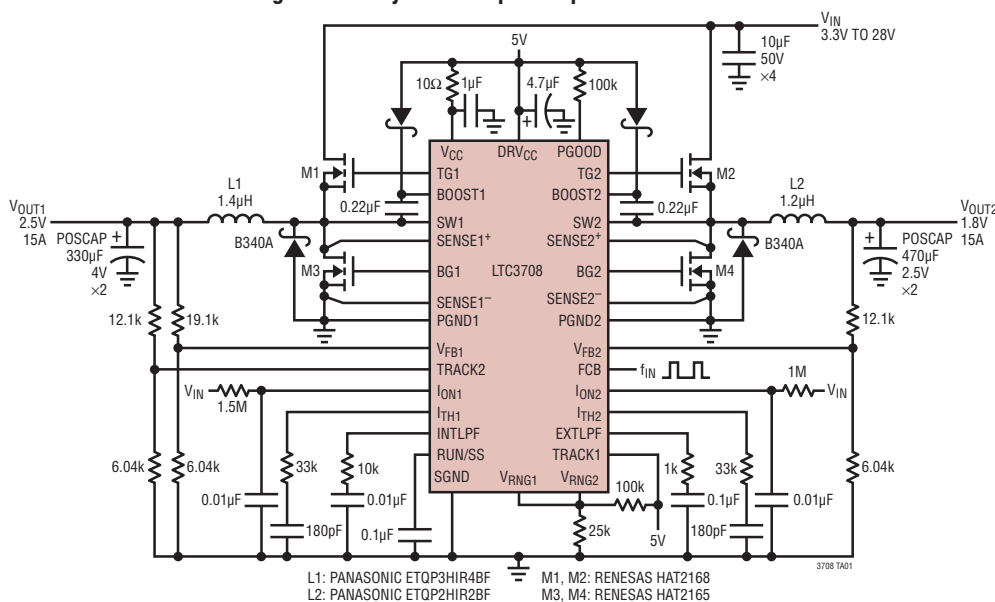
The LTC3708 uses a constant on-time, valley current mode control architecture to deliver very low duty factors without requiring a sense resistor. Operating frequency is selected by an external resistor and is compensated for variations in input supply voltage. An internal phase-locked loop allows the IC to be synchronized to an external clock.

Fault protection is provided by an output overvoltage comparator and an optional short-circuit shutdown timer. The regulator current limit level is user programmable. A wide supply range allows voltages as high as 36V to be stepped down to 0.6V output.

**LT**, **LT**, **LTC** and **LTM** are registered trademarks of Linear Technology Corporation. No  $R_{SENSE}$  is a trademark of Linear Technology Corporation. All other trademarks are the property of their respective owners.

## TYPICAL APPLICATION

High Efficiency Dual Output Step-Down Converter



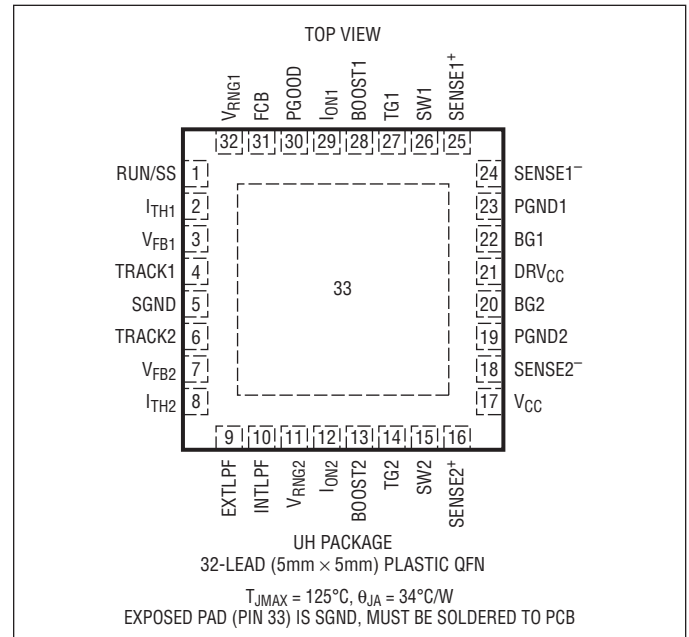
# LTC3708

## ABSOLUTE MAXIMUM RATINGS

(Note 1)

Input Supply Voltage ( $V_{CC}$ , $DRV_{CC}$ ).....	7V to -0.3V
Boosted Topside Driver Supply Voltage BOOST1, 2.....	42V to -0.3V
Switch Voltage (SW1, 2).....	36V to -5V
SENSE1+, SENSE2+ Voltages.....	36V to -5V
SENSE1-, SENSE2- Voltages.....	10V to -0.3V
$I_{ON1}$ , $I_{ON2}$ Voltages.....	21V to -0.3V
(BOOST - SW) Voltages.....	7V to -0.3V
RUN/SS, PGOOD Voltages.....	7V to -0.3V
PGOOD DC Current.....	5mA
TRACK1, TRACK2 Voltages.....	$V_{CC} + 0.3V$ to -0.3V
$V_{RNG1}$ , $V_{RNG2}$ Voltages.....	$V_{CC} + 0.3V$ to -0.3V
$I_{TH1}$ , $I_{TH2}$ Voltages.....	2.7V to -0.3V
$V_{FB1}$ , $V_{FB2}$ Voltages.....	2.7V to -0.3V
INTLPF, EXTLPF Voltages.....	2.7V to -0.3V
FCB Voltages.....	7V to -0.3V
Operating Temperature Range (Note 5)....	-40°C to 85°C
Junction Temperature (Note 2).....	125°C
Storage Temperature Range.....	-65°C to 125°C
Reflow Peak Body Temperature.....	260°C

## PIN CONFIGURATION



## ORDER INFORMATION

LEAD FREE FINISH	TAPE AND REEL	PART MARKING	PACKAGE DESCRIPTION	TEMPERATURE RANGE
LTC3708EUH#PBF	LTC3708EUH#TRPBF	3708	32-Lead (5mm × 5mm) Plastic QFN	-40°C to 85°C
LEAD BASED FINISH	TAPE AND REEL	PART MARKING	PACKAGE DESCRIPTION	TEMPERATURE RANGE
LTC3708EUH	LTC3708EUH#TR	3708	32-Lead (5mm × 5mm) Plastic QFN	-40°C to 85°C

Consult LTC Marketing for parts specified with wider operating temperature ranges.

For more information on lead free part marking, go to: <http://www.linear.com/leadfree/>

For more information on tape and reel specifications, go to: <http://www.linear.com/tapeandreeel/>

## ELECTRICAL CHARACTERISTICS

The ● denotes the specifications which apply over the full operating temperature range, otherwise specifications are at  $T_A = 25^{\circ}C$ .  $V_{CC} = 5V$ ,  $DRV_{CC} = 5V$ , unless otherwise noted.

SYMBOL	PARAMETER	CONDITIONS	MIN	TYP	MAX	UNITS
<b>Main Control Loop</b>						
$I_Q$	Input DC Supply Current Normal Shutdown			2.4 250	3 400	mA $\mu A$
$I_{FB1,2}$	Feedback Pin Input Current	$I_{TH} = 1.2V$ (Notes 3, 4)		-50	-100	nA
$V_{REF}$	Internal Reference Voltage	$I_{TH} = 1.2V$ , 0°C to 85°C (Notes 3, 4) $I_{TH} = 1.2V$ (Notes 3, 4)	0.594 ● 0.591	0.600	0.606 0.609	V V
$V_{FB1,2}$	Feedback Voltage	$I_{TH} = 1.2V$ (Note 3)	0.594	0.600	0.606	V
$\Delta V_{FB(LINEREG)1,2}$	Feedback Voltage Line Regulation	$V_{CC} = 4.5V$ to 6.5V (Note 3)		0.02		%/V

3708fb

## ELECTRICAL CHARACTERISTICS

The ● denotes the specifications which apply over the full operating temperature range, otherwise specifications are at  $T_A = 25^\circ\text{C}$ .  $V_{CC} = 5\text{V}$ ,  $\text{DRV}_{CC} = 5\text{V}$ , unless otherwise noted.

SYMBOL	PARAMETER	CONDITIONS	MIN	TYP	MAX	UNITS
$\Delta V_{\text{FB(LOADREG)1,2}}$	Feedback Voltage Load Regulation	$I_{\text{TH}} = 0.5\text{V to } 1.9\text{V}$ (Note 3)		-0.05	-0.2	%
$g_{\text{m(EA)1,2}}$	Error Amplifier Transconductance	$I_{\text{TH}} = 1.2\text{V}$ (Note 3)	● 1.2	1.45	1.7	mS
$t_{\text{ON1,2}}$	On-Time	$I_{\text{ON}} = 60\mu\text{A}, V_{\text{FCB}} = 0\text{V}$ $I_{\text{ON}} = 30\mu\text{A}, V_{\text{FCB}} = 0\text{V}$	94 186	116 233	138 280	ns ns
$t_{\text{ON(MIN)1,2}}$	Minimum On-Time	$I_{\text{ON}} = 180\mu\text{A}$		50	85	ns
$t_{\text{OFF(MIN)1,2}}$	Minimum Off-Time	$I_{\text{ON}} = 30\mu\text{A}$		270	350	ns
$V_{\text{SENSE(MAX)1,2}}$	Maximum Current Sense Threshold	$V_{\text{RNG}} = 1\text{V}, V_{\text{FB}} = 0.565\text{V}$ $V_{\text{RNG}} = 0\text{V}, V_{\text{FB}} = 0.565\text{V}$ $V_{\text{RNG}} = V_{\text{CC}}, V_{\text{FB}} = 0.565\text{V}$	125 90 180	143 100 200	160 110 220	mV mV mV
$V_{\text{SENSE(MIN)1,2}}$	Minimum Current Sense Threshold	$V_{\text{RNG}} = 1\text{V}, V_{\text{FB}} = 0.635\text{V}$ $V_{\text{RNG}} = 0\text{V}, V_{\text{FB}} = 0.635\text{V}$ $V_{\text{RNG}} = V_{\text{CC}}, V_{\text{FB}} = 0.635\text{V}$		-62 -42 -88		mV mV mV
$\Delta V_{\text{FB(OV)1,2}}$	Overvoltage Fault Threshold		8.5	10	11.5	%
$\Delta V_{\text{FB(UV)1,2}}$	Undervoltage Fault Threshold		-380	-420	-460	mV
$V_{\text{RUN/SS(ON)}}$	RUN Pin Start Threshold		● 0.8	1.3	1.8	V
$V_{\text{RUN/SS(LE)}}$	RUN Pin Latchoff Enable Threshold	RUN/SS Pin Rising	2.6	3	3.3	V
$V_{\text{RUN/SS(LT)}}$	RUN Pin Latchoff Threshold	RUN/SS Pin Falling	2.2	2.5	2.8	V
$I_{\text{RUN/SS(C)}}$	Soft-Start Charge Current	$V_{\text{RUN/SS}} = 0\text{V}$	-0.5	-1.2	-2	$\mu\text{A}$
$I_{\text{RUN/SS(D)}}$	Soft-Start Discharge Current	$V_{\text{RUN/SS}} = V_{\text{RUN/SS(LE)}}, V_{\text{FB1,2}} = 0\text{V}$	0.8	2	3	$\mu\text{A}$
$V_{\text{CC(UVLO)}}$	Undervoltage Lockout	$V_{\text{CC}}$ Falling		3.2	3.6	V
$V_{\text{CC(UVLOR)}}$	Undervoltage Lockout Release	$V_{\text{CC}}$ Rising		3.5	3.8	V
$TG R_{\text{UP1,2}}$	TG Driver Pull-Up On-Resistance	TG High (Note 6)		2		$\Omega$
$TG R_{\text{DOWN1,2}}$	TG Driver Pull-Down On-Resistance	TG Low (Note 6)		2		$\Omega$
$BG R_{\text{UP1,2}}$	BG Driver Pull-Up On-Resistance	BG High (Note 6)		3		$\Omega$
$BG R_{\text{DOWN1,2}}$	BG Driver Pull-Down On-Resistance	BG Low (Note 6)		1		$\Omega$
<b>Tracking</b>						
$I_{\text{TRACK1,2}}$	TRACK Pin Input Current	$I_{\text{TH}} = 1.2\text{V}, V_{\text{TRACK}} = 0.2\text{V}$ (Note 3)		-100	-150	nA
$V_{\text{FB(TRACK1,2)}}$	Feedback Voltage at Tracking	$V_{\text{TRACK}} = 0\text{V}, I_{\text{TH}} = 1.2\text{V}$ (Note 3) $V_{\text{TRACK}} = 0.2\text{V}, I_{\text{TH}} = 1.2\text{V}$ (Note 3) $V_{\text{TRACK}} = 0.4\text{V}, I_{\text{TH}} = 1.2\text{V}$ (Note 3)	-10 190 390	0 200 400	-10 210 410	mV mV mV
<b>PGOOD Output</b>						
$\Delta V_{\text{FBH1,2}}$	PGOOD Upper Threshold	Either $V_{\text{FB}}$ Rising	8.5	10	11.5	%
$\Delta V_{\text{FBL1,2}}$	PGOOD Lower Threshold	Either $V_{\text{FB}}$ Falling	-8.5	-10	-11.5	%
$\Delta V_{\text{FB(HYS)1,2}}$	PGOOD Hysteresis	$V_{\text{FB}}$ Returning		3	5	%
$V_{\text{PGL}}$	PGOOD Low Voltage	$I_{\text{PGOOD}} = 5\text{mA}$		0.1	0.4	V
$I_{\text{PGOOD}}$	PGOOD Leakage Current	$V_{\text{PGOOD}} = 7\text{V}$			$\pm 1$	$\mu\text{A}$
PG Delay	PGOOD Delay	$V_{\text{FB}}$ Falling	100			$\mu\text{s}$
<b>Phase-Locked Loops</b>						
$V_{\text{FCB(DC)}}$	Forced Continuous Threshold	Measured with a DC Voltage at FCB Pin	1.9	2.1	2.3	V
$V_{\text{FCB(AC)}}$	Clock Input Threshold	Measured with a AC Pulse at FCB Pin	1	1.5	2	V
$I_{\text{EXTLPF}}$	External Phase Detector Output Current Sourcing Capability Sinking Capability	$f_{\text{FCB}} < f_{\text{SW1}}, V_{\text{EXTLPF}} = 0\text{V}$ $f_{\text{FCB}} > f_{\text{SW1}}, V_{\text{EXTLPF}} = 2.4$		20 -20		$\mu\text{A}$ $\mu\text{A}$

## ELECTRICAL CHARACTERISTICS

The ● denotes the specifications which apply over the full operating temperature range, otherwise specifications are at  $T_A = 25^\circ\text{C}$ .  $V_{CC} = 5\text{V}$ ,  $\text{DRV}_{CC} = 5\text{V}$ , unless otherwise noted.

SYMBOL	PARAMETER	CONDITIONS	MIN	TYP	MAX	UNITS
$I_{\text{INTLFP}}$	Internal Phase Detector Output Current Sourcing Capability Sinking Capability	$f_{\text{SW1}} < f_{\text{SW2}}$ , $V_{\text{INTLFP}} = 0\text{V}$ $f_{\text{SW1}} > f_{\text{SW2}}$ , $V_{\text{INTLFP}} = 2.4$		20 -20		$\mu\text{A}$ $\mu\text{A}$
$t_{\text{ON(PLL)1}}$	$t_{\text{ON1}}$ Modulation Range by External PLL Up Modulation Down Modulation	$I_{\text{ON1}} = 60\mu\text{A}$ , $V_{\text{EXTLFP}} = 1.8\text{V}$ $I_{\text{ON1}} = 60\mu\text{A}$ , $V_{\text{EXTLFP}} = 0.6\text{V}$	186	233 58	80	ns ns
$t_{\text{ON(PLL)2}}$	$t_{\text{ON2}}$ Modulation Range by Internal PLL Up Modulation Down Modulation	$I_{\text{ON1}} = 60\mu\text{A}$ , $V_{\text{EXTLFP}} = 1.8\text{V}$ $I_{\text{ON1}} = 60\mu\text{A}$ , $V_{\text{EXTLFP}} = 0.6\text{V}$	186	233 58	80	ns ns

**Note 1:** Stresses beyond those listed under Absolute Maximum Ratings may cause permanent damage to the device. Exposure to any Absolute Maximum Rating condition for extended periods may affect device reliability and lifetime.

**Note 2:**  $T_J$  is calculated from the ambient temperature  $T_A$  and power dissipation  $P_D$  as follows:

$$T_J = T_A + (P_D \cdot 34^\circ\text{C/W})$$

**Note 3:** The LTC3708 is tested in a feedback loop that adjusts  $V_{\text{FB}}$  to achieve a specified error amplifier output voltage ( $I_{\text{TH}}$ ).

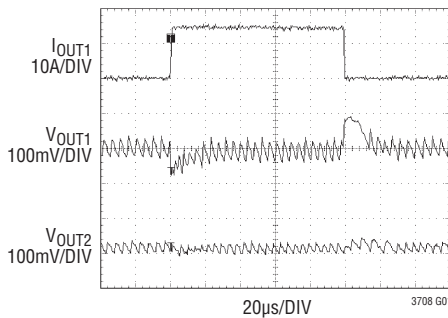
**Note 4:** Internal reference voltage is tested indirectly by extracting error amplifier offset from the feedback voltage.

**Note 5:** The LTC3708E is guaranteed to meet performance specifications from  $0^\circ\text{C}$  to  $85^\circ\text{C}$ . Specifications over the  $-40^\circ\text{C}$  to  $85^\circ\text{C}$  operating temperature range are assured by design, characterization and correlation with statistical process controls.

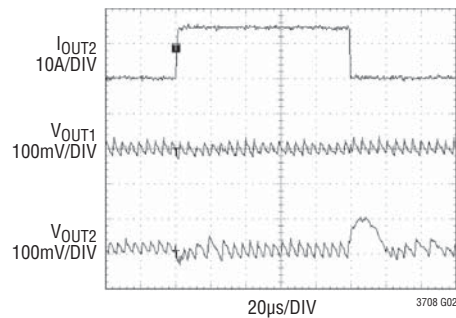
**Note 6:**  $R_{\text{DS(ON)}}$  limit is guaranteed by design and/or correlation to static test.

## TYPICAL PERFORMANCE CHARACTERISTICS

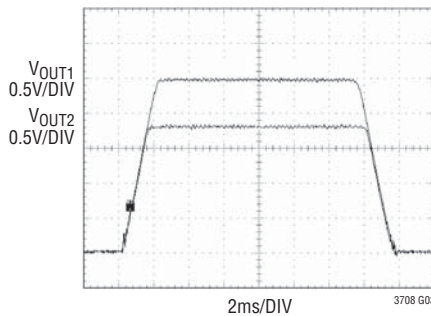
Load Transient on Channel 1



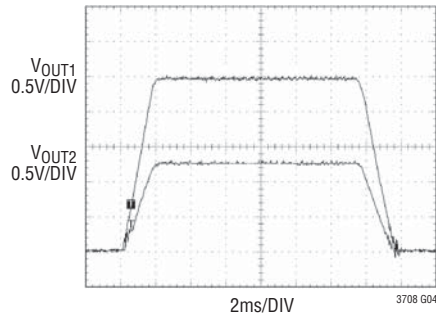
Load Transient on Channel 2



Coincident Tracking

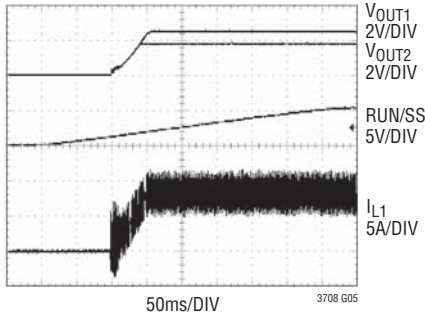


Ratiometric Tracking

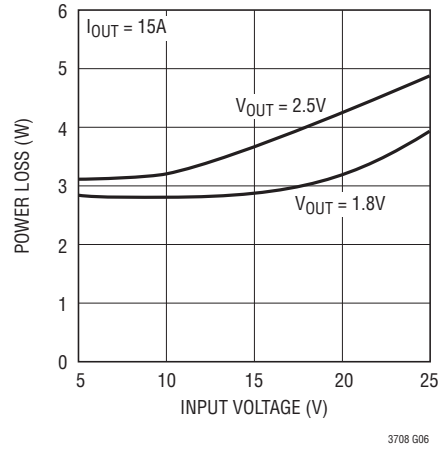


# TYPICAL PERFORMANCE CHARACTERISTICS

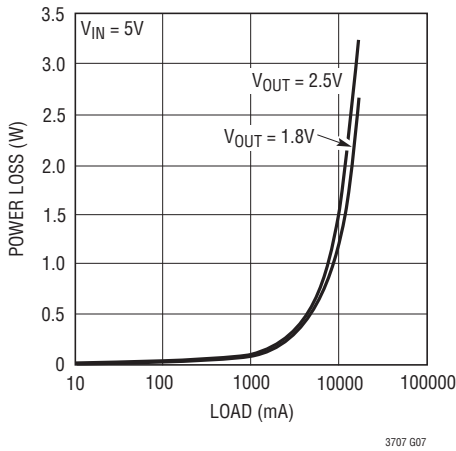
**Soft-Start**



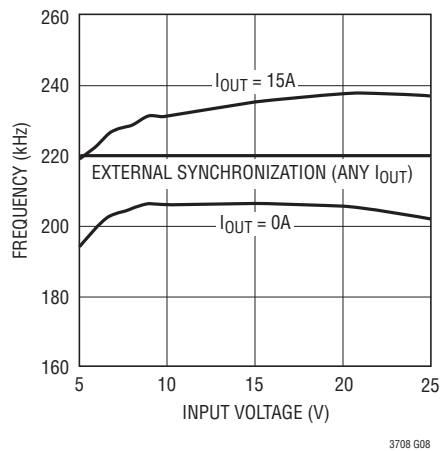
**Power Loss vs Input Voltage**



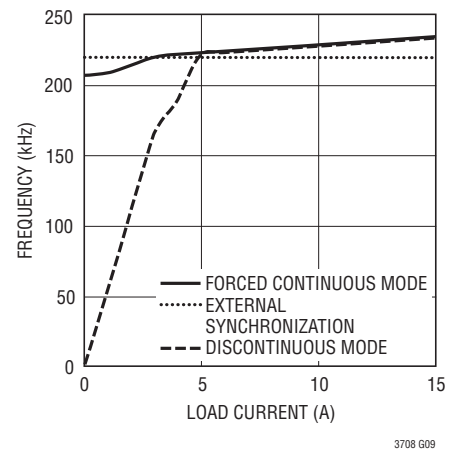
**Power Loss vs Load Current**



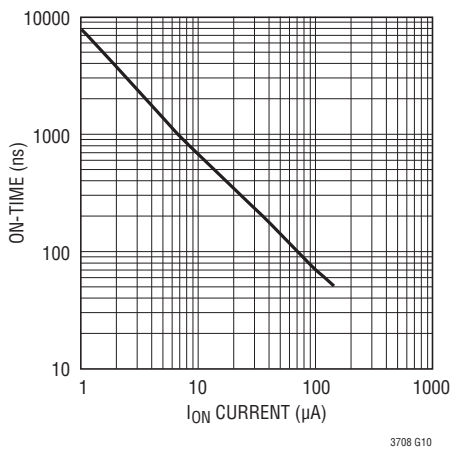
**Frequency vs Input Voltage**



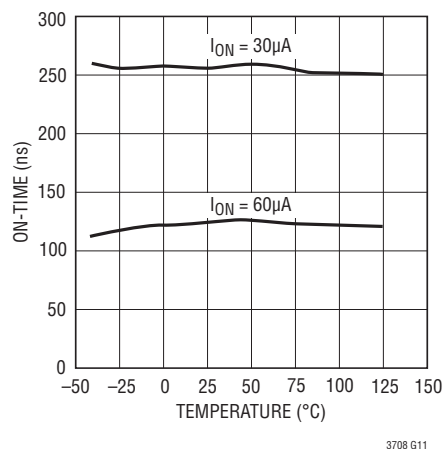
**Frequency vs Load Current**



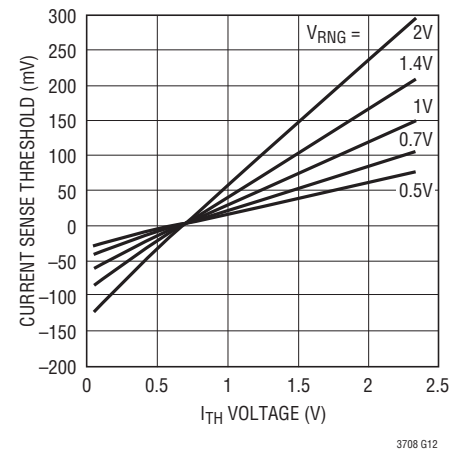
**On-Time vs ION Current**



**On-Time vs Temperature**

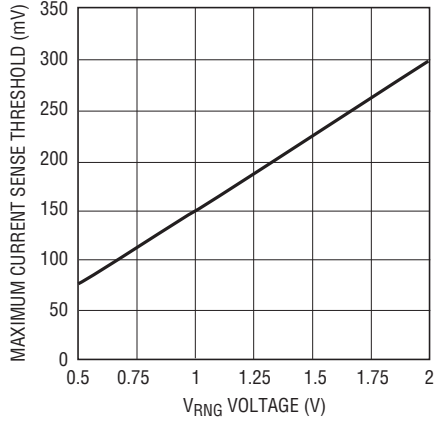


**Current Sense Threshold vs ITH Voltage**



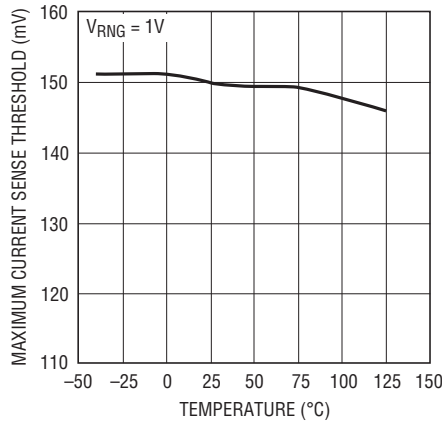
## TYPICAL PERFORMANCE CHARACTERISTICS

**Maximum Current Sense Threshold vs  $V_{RNG}$  Voltage**



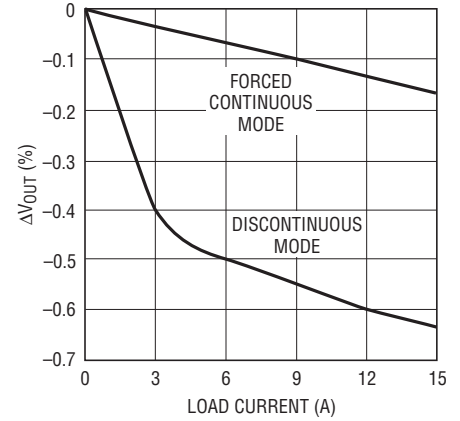
3708 G13

**Maximum Current Sense Threshold vs Temperature**



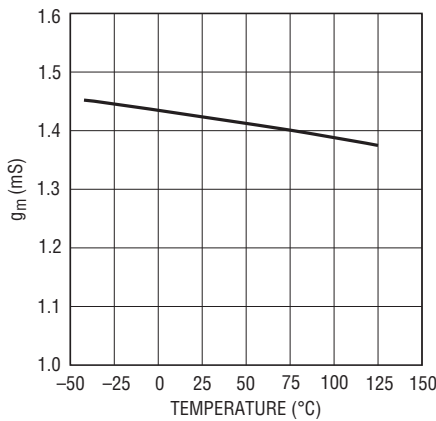
3708 G14

**Load Regulation (Figure 13 Circuit)**



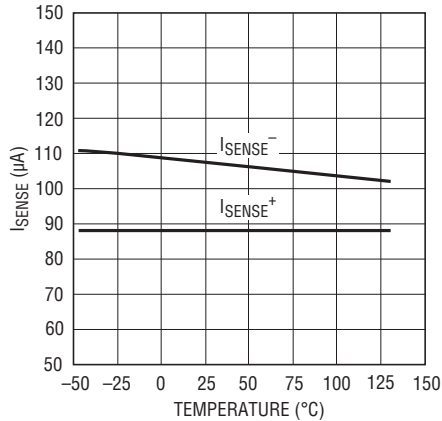
3708 G15

**Error Amplifier  $g_m$  vs Temperature**



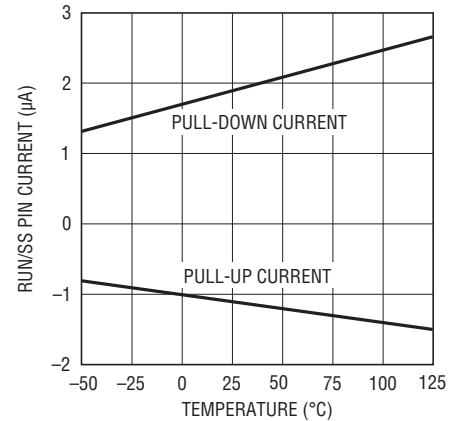
3708 G16

**SENSE Pin Input Current vs Temperature**



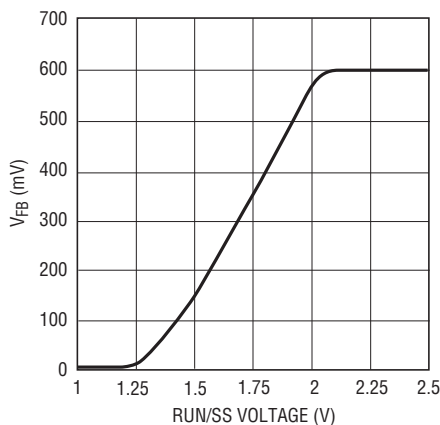
3708 G17

**RUN/SS Pin Current vs Temperature**



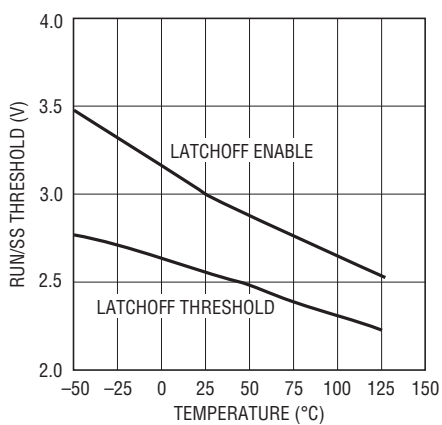
3708 G18

**Feedback Voltage vs RUN/SS (Soft-Start)**



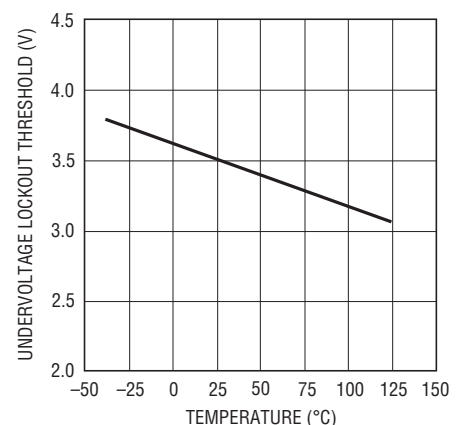
3708 G19

**RUN/SS Latch-Off Thresholds vs Temperature**



3708 G20

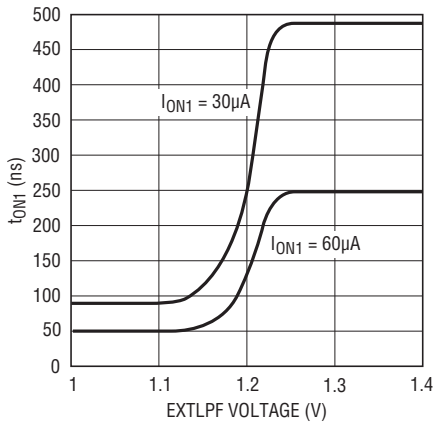
**Undervoltage Lockout Threshold vs Temperature**



3708 G21

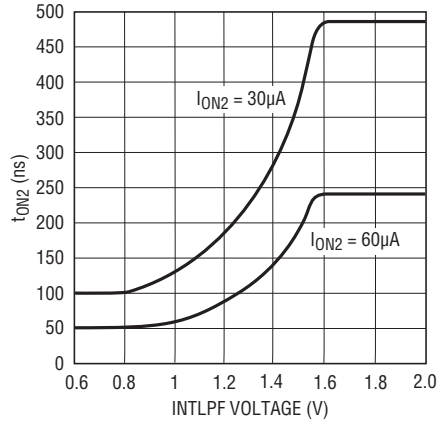
# TYPICAL PERFORMANCE CHARACTERISTICS

**On-Time vs EXTLPF Voltage**



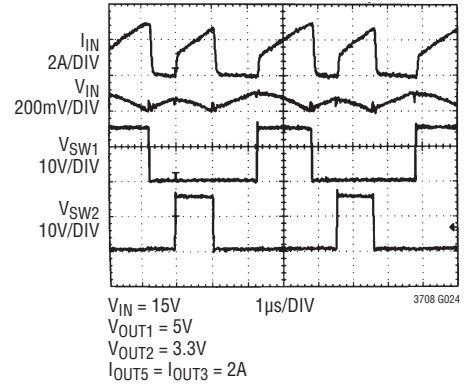
3708 G22

**On-Time vs INTLPF Voltage**

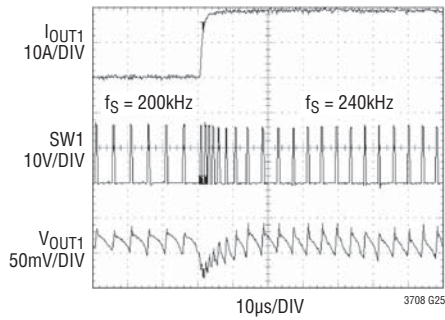


3708 G23

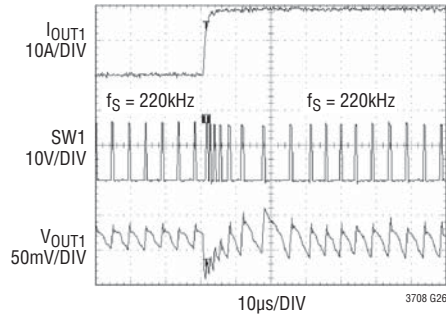
**2-Phase Operation**



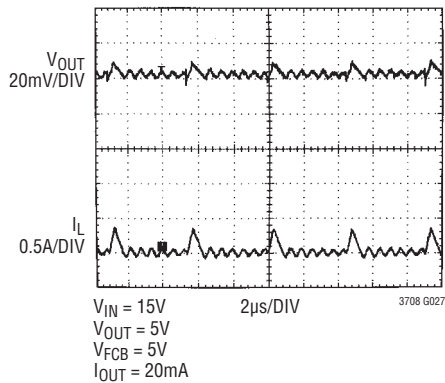
**Load Transient Response Without External Synchronization**



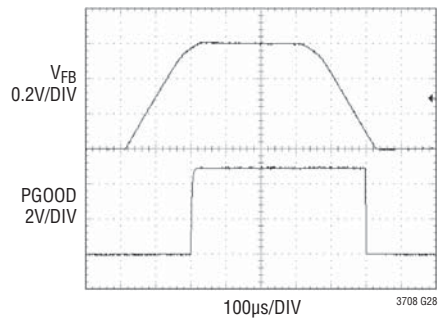
**Load Transient Response with External Synchronization**



**Discontinuous Mode Operation**



**Power Good Mask**



## PIN FUNCTIONS

**RUN/SS (Pin 1):** Run Control and Soft-Start Input. A capacitor to ground at this pin sets the ramp rate of the output voltage (approximately  $0.5\text{s}/\mu\text{F}$ ) and the time delay for overcurrent latchoff (see Applications Information). Forcing this pin below 0.8V shuts down the LTC3708.

**I<sub>TH1</sub>, I<sub>TH2</sub> (Pins 2, 8):** Error Amplifier Compensation Point and Current Control Threshold. The current comparator threshold increases with this control voltage. The voltage ranges from 0V to 2.4V with 0.8V corresponding to zero sense voltage (zero current).

**V<sub>FB1</sub>, V<sub>FB2</sub> (Pins 3, 7):** Error Amplifier Feedback Input. This pin connects the error amplifier input to an external resistive divider from V<sub>OUT</sub>. Additional compensation can be implemented, if desired, using this pin.

**TRACK1, TRACK2 (Pins 4, 6):** Tie TRACK2 pin to a resistive divider connected to the output of channel 1 for either coincident or ratiometric output tracking. TRACK1 is used in the same manner between multiple LTC3708s (see Applications Information). To disable this feature, tie the pins to V<sub>CC</sub>. *Do Not Float These Pins.*

**SGND (Pins 5, 33):** Signal Ground. All small-signal components and compensation components should connect to this ground and eventually connect to PGND at one point. The Exposed Pad of the LTC3708EUH must be soldered to the PCB.

**EXTLPF (Pin 9):** Filter Connection for the External PLL. This PLL is used to synchronize the LTC3708 to an external clock. If external clock is not used, leave this pin floating.

**INTLPF (Pin 10):** Filter Connection for the Internal PLL. This PLL is used to phase shift the second channel to the first channel by 180°.

**V<sub>CC</sub> (Pin 17):** Main Input Supply. Decouple this pin to SGND with an RC filter (10Ω, 1μF for example).

**DRV<sub>CC</sub> (Pin 21):** Driver Supply. Provides supply to the drivers for the bottom gates. Also used for charging the bootstrap capacitors.

**BG1, BG2 (Pins 22, 20):** Bottom Gate Drive. Drives the gate of the bottom N-channel MOSFET between ground and DRV<sub>CC</sub>.

**PGND1, PGND2 (Pins 23, 19):** Power Ground. Connect this pin closely to the source of the bottom N-channel MOSFET, the (–) terminal of C<sub>DRVCC</sub> and the (–) terminal of C<sub>IN</sub>.

**SENSE1–, SENSE2– (Pins 24, 18):** Current Sense Comparator Input. The (–) input to the current comparator is used to accurately Kelvin sense the bottom side of the sense resistor or MOSFET.

**SENSE1+, SENSE2+ (Pins 25, 16):** Current Sense Comparator Input. The (+) input to the current comparator is normally connected to the SW node unless using a sense resistor (See Applications Information).

**SW1, SW2 (Pins 26, 15):** Switch Node. The (–) terminal of the bootstrap capacitor C<sub>B</sub> connects here. This pin swings from a Schottky diode voltage drop below ground up to V<sub>IN</sub>.

**TG1, TG2 (Pins 27, 14):** Top Gate Drive. Drives the top N-channel MOSFET with a voltage swing equal to DRV<sub>CC</sub> superimposed on the switch node voltage SW.

**BOOST1, BOOST2 (Pins 28, 13):** Boosted Floating Driver Supply. The (+) terminal of the bootstrap capacitor C<sub>B</sub> connects here. This pin swings from a diode voltage drop below DRV<sub>CC</sub> up to V<sub>IN</sub> + DRV<sub>CC</sub>.

**I<sub>ON1</sub>, I<sub>ON2</sub> (Pins 29, 12):** On-Time Current Input. Tie a resistor from V<sub>IN</sub> to this pin to set the one-shot timer current and thereby set the switching frequency.

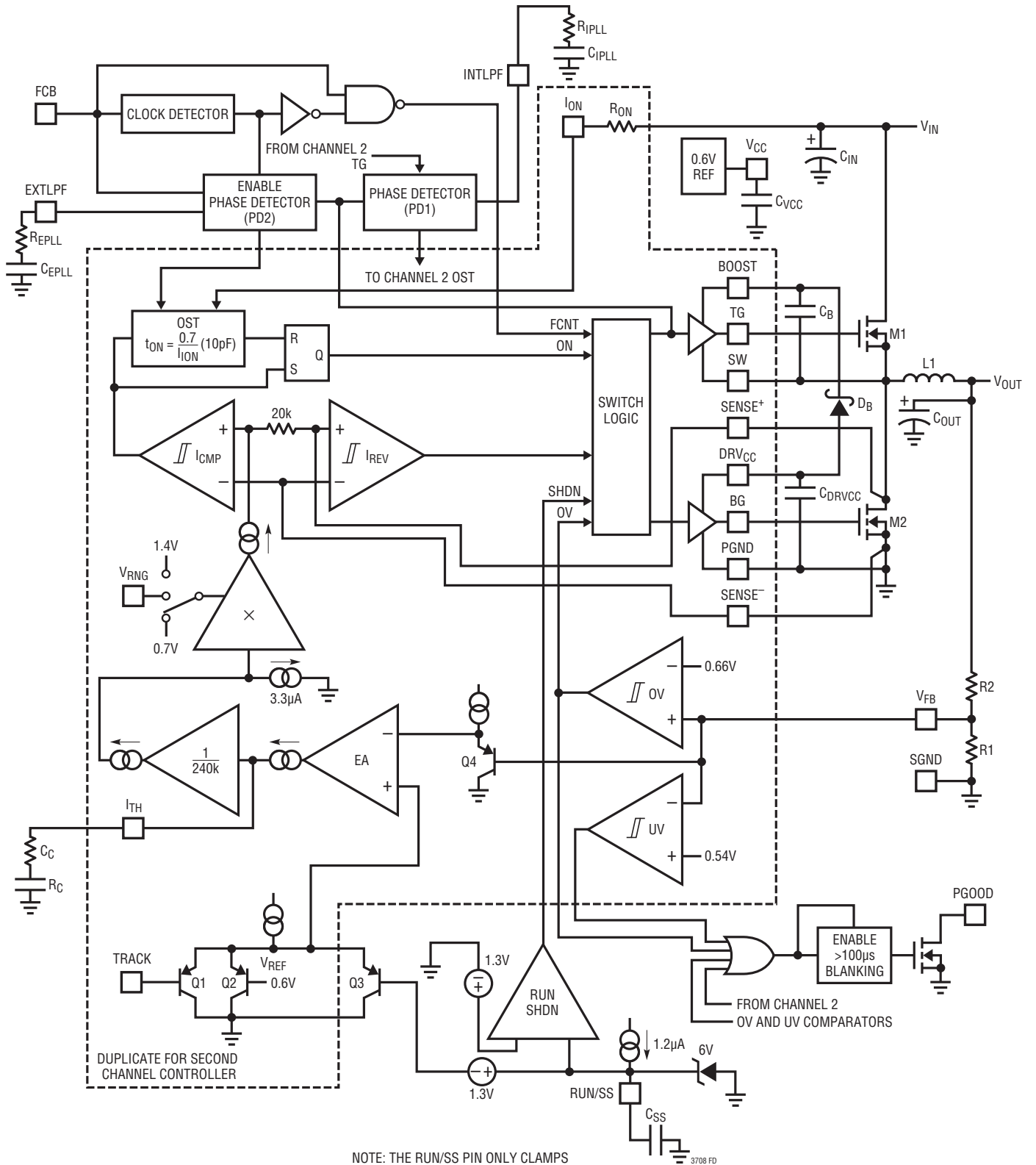
**PGOOD (Pin 30):** Power Good Output. Open-drain logic output that is pulled to ground when either or both output voltages are not within ±10% of the regulation point. The output voltage must be out of regulation for at least 100μs before the power good output is pulled to ground.

**FCB (Pin 31):** Forced Continuous and External Clock Input. Tie this pin to ground to force continuous synchronous operation or to V<sub>CC</sub> to enable discontinuous mode operation at light load. Feeding an external clock signal into this pin will synchronize the LTC3708 to the external clock and enable forced continuous mode.

**V<sub>RNG1</sub>, V<sub>RNG2</sub> (Pins 32, 11):** Sense Voltage Range Input. The voltage at this pin is ten times the nominal sense voltage at maximum output current and can be programmed from 0.5V to 2V. The sense voltage defaults to 70mV when this pin is tied to ground, 140mV when tied to V<sub>CC</sub>.



FUNCTIONAL DIAGRAM



NOTE: THE RUN/SS PIN ONLY CLAMPS  $V_{REF}$  FOR PHASE 1 NOT PHASE 2.

3708 FD

## OPERATION (Refer to Functional Diagram)

### Main Control Loop

The LTC3708 uses a constant on-time, current mode step-down architecture with two control channels operating at 180 degrees out of phase. In normal operation, each top MOSFET is turned on for a fixed interval determined by its own one-shot timer OST. When the top MOSFET is turned off, the bottom MOSFET is turned on until the current comparator  $I_{CMP}$  trips, restarting the one-shot timer and repeating the cycle. The trip level of the current comparator is set by the  $I_{TH}$  voltage which is the output of each error amplifier, EA. Inductor current is determined by sensing the voltage between the  $SENSE^-$  and  $SENSE^+$  pins using either the bottom MOSFET on-resistance or a separate sense resistor. At low load currents, the inductor current can drop to zero and become negative. This is detected by current reversal comparator  $I_{REV}$ , which then shuts off M2 resulting in discontinuous operation. Both switches will remain off with the output capacitor supplying the load current until the  $I_{TH}$  voltage rises above the zero current level (0.8V) to initiate another cycle. Discontinuous mode operation is disabled when the FCB pin is brought below 1.9V, forcing continuous synchronous operation.

The main control loop is shut down by pulling the RUN/SS pin low, turning off both M1 and M2. Releasing the pin allows an internal 1.2 $\mu$ A current source to charge an external soft-start capacitor,  $C_{SS}$ . When this voltage reaches 1.3V, the controller turns on and begins switching, but with the effective reference voltage clamped at 0V. As  $C_{SS}$  continues to charge, the effective reference ramps up at the same rate and controls the rise rate of the output voltage.

### Operating Frequency

The operating frequency is determined implicitly by the top MOSFET on-time and the duty cycle required to maintain regulation. The one-shot timer generates an on-time that is proportional to the ideal duty cycle, thus holding frequency approximately constant with changes in  $V_{IN}$ . The nominal frequency can be adjusted with an external resistor  $R_{ON}$ .

When the LTC3708 is synchronized to an external clock, the operating frequency will then be solely determined by the external clock.

### Output Overvoltage Protection

An overvoltage comparator OV guards against transient overshoots (>10%) as well as other more serious conditions that may overvoltage the output. In this condition, M1 is turned off and M2 is turned on and held on until the condition is cleared.

### Short-Circuit Detection and Protection

After the controller has been started and given adequate time to charge the output capacitors, the RUN/SS capacitor is used as the short-circuit time-out capacitor. If either one of the output voltages falls to less than 70% of its nominal output voltage, the RUN/SS capacitor begins discharging on the assumption that the output is in an overcurrent and/or short-circuit condition. If the condition lasts for a long enough period, as determined by the size of the RUN/SS capacitor, both controllers will be shut down until the RUN/SS pin voltage is recycled. This built-in latching can be overridden by providing >5 $\mu$ A pull-up at a compliance of 5V to the RUN/SS pin. This current shortens the soft-start period but also prevents net discharge of the RUN/SS capacitor during an overcurrent and/or short-circuit condition.

### Power Good (PGOOD) Pin

Overvoltage and undervoltage comparators OV and UV pull the PGOOD output low if the output feedback voltage exceeds a  $\pm 10\%$  window around the regulation point. In addition, the output feedback voltage must be out of this window for a continuous duration of at least 100 $\mu$ s before PGOOD is pulled low. This is to prevent any glitch on the feedback voltage from creating a false power bad signal. The PGOOD will indicate high immediately when the feedback voltage is in regulation.

## OPERATION (Refer to Functional Diagram)

### DRV<sub>CC</sub>

Power for the top and bottom MOSFET drivers is derived from the DRV<sub>CC</sub> pin. The top MOSFET driver is powered from a floating bootstrap capacitor, C<sub>B</sub>. This capacitor is normally recharged from DRV<sub>CC</sub> through an external Schottky diode, D<sub>B</sub>, when the top MOSFET is turned off.

### 2-Phase Operation

For the LTC3708 to operate optimally as a 2-phase controller, the resistors connected to the I<sub>ON</sub> pins must be selected such that the free-running frequency of each channel is close to that of the other. An internal phase-locked loop (PLL) will then ensure that channel 2 operates at the same frequency as channel 1, but phase shifted by 180°. The loop filter connected to the INTLFP pin provides stability to the PLL. For external clock synchronization, a second PLL is incorporated to adjust the on-time of channel 1 until its frequency is the same as the external clock. Compensation for the external PLL is through the EXTLFP pin.

The loop filter components tied to the INTLFP and EXTLFP pins are used to compensate the internal PPL and external PLL respectively. The typical value ranges are:

INTLFP: R<sub>IPLL</sub> = 2kΩ to 10kΩ, C<sub>IPLL</sub> = 10nF to 100nF

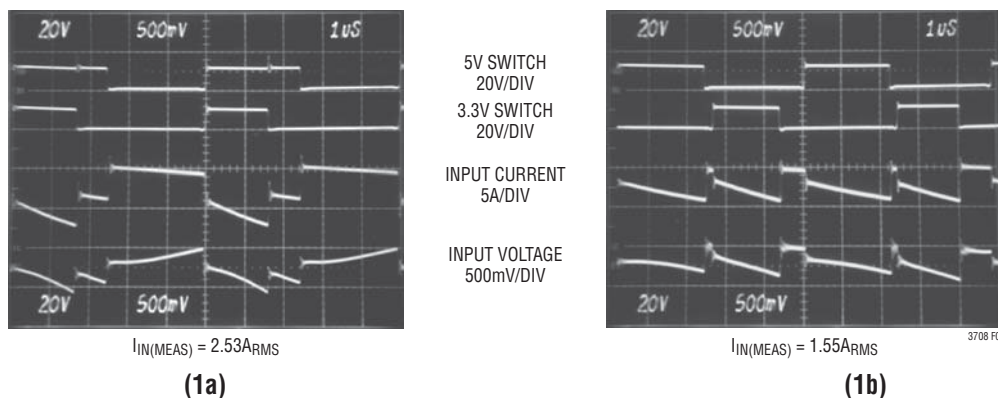
EXTLFP: R<sub>EPLL</sub> ≤ 1kΩ, C<sub>EPLL</sub> = 10nF to 100nF

For noise suppression, a capacitor with a value of 1nF or less should be placed from INTLFP to ground and EXTLFP to ground.

The LTC3708's 2-phase operation brings considerable benefits to portable applications and automatic electronics. It lowers the input filtering requirement, reduces electromagnetic interference (EMI) and increases the power conversion efficiency. Until the introduction of the 2-phase operation, dual switching regulators operated both channels in phase (i.e., single phase operation). This means that both controlling switches turned on at the same time, causing current pulses of up to twice the amplitude of those for one regulator to be drawn from the input capacitor or battery. Such operation results in higher input RMS current, larger and/or more expensive input capacitors, more power loss and worse EMI in the input source (whether a wall adapter or a battery).

In contrast to single phase operation, the two channels of a 2-phase switching regulator are operated 180 degrees out of phase. This effectively interleaves the current pulses drawn by the switches, greatly reducing the overlap time where they add together. The result is a significant reduction in total RMS input current, which in turn allows less expensive input capacitors to be used, reduces shielding requirements for EMI and improves real world operating efficiency.

Figure 1 compares the input waveforms for a representative single phase dual switching regulator to the 2-phase dual switching regulator. An actual measurement of the RMS input current under these conditions shows that 2-phase dropped the input current from 2.53A<sub>RMS</sub> to 1.55A<sub>RMS</sub>.



**Figure 1. Input Waveforms Comparing Single Phase (1a) and 2-Phase (1b) Operation for Dual Switching Regulators Converting 12V to 5V and 3.3V at 3A Each**

## OPERATION (Refer to Functional Diagram)

While this is an impressive reduction in itself, remember that the power losses are proportional to  $I_{RMS}^2$ , meaning that the actual power wasted is reduced by a factor of 2.66. The reduced input ripple current also means that less power is lost in the input power path, which could include batteries, switches, trace/connector resistances and protection circuitry. Improvements in both conducted and radiated EMI also directly accrue as a result of the reduced RMS input current and voltage.

Of course, the improvement afforded by 2-phase operation is a function of the dual switching regulator's relative duty cycles which, in turn, are dependent upon the input voltage,  $V_{IN}$ . Figure 2 shows how the RMS input current varies for single phase and 2-phase operation for 3.3V and 5V regulators over a wide input voltage range.

It can readily be seen that the advantages of 2-phase operation are not just limited to a narrow operating range, but in

fact extend over a wide region. A good rule of thumb for most applications is that 2-phase operation will reduce the input capacitance requirement to that for just one channel operating at maximum current and 50% duty cycle.

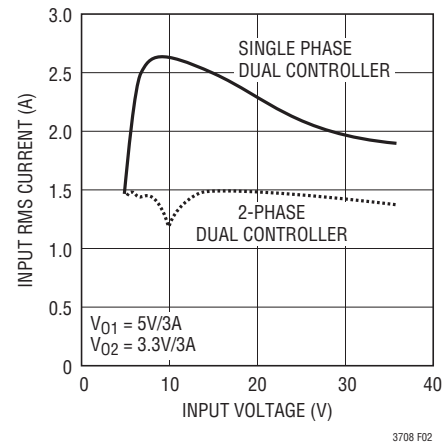


Figure 2. RMS Input Current Comparison

## APPLICATIONS INFORMATION

The basic LTC3708 application circuit is shown on the first page of this data sheet. External component selection is primarily determined by the maximum load current and begins with the selection of the power MOSFET switches and/or sense resistor. For the LTC3708, the inductor current is determined by the  $R_{DS(ON)}$  of the synchronous MOSFET or by a sense resistor when the user opts for more accurate current sensing. The desired amount of ripple current and operating frequency largely determines the inductor value. Finally,  $C_{IN}$  is selected for its ability to handle the large RMS current into the converter and  $C_{OUT}$  is chosen with low enough ESR to meet the output voltage ripple specification.

### Maximum Sense Voltage and $V_{RNG}$ Pin

Inductor current is determined by measuring the voltage across the  $R_{DS(ON)}$  of the synchronous MOSFET or through a sense resistor that appears between the  $SENSE^+$  and  $SENSE^-$  pins. The maximum sense voltage is set by the voltage applied to the  $V_{RNG}$  pin and is equal to approximately  $V_{RNG}/7$ . The current mode control loop will not allow the inductor current valleys to exceed  $V_{RNG}/(7 \cdot R_{SENSE})$ . In practice, one should allow some margin for variations in the LTC3708 and external component values. A good guide for selecting the sense resistance is:

$$R_{SENSE} = \frac{V_{RNG}}{10 \cdot I_{OUT(MAX)}}$$

The voltage of the  $V_{RNG}$  pin can be set using an external resistive divider from  $V_{CC}$  between 0.5V and 2V, resulting in nominal sense voltages of 50mV to 200mV. Additionally, the  $V_{RNG}$  pin can be tied to ground or  $V_{CC}$ , in which case the nominal sense voltage defaults to 70mV or 140mV, respectively. The maximum allowed sense voltage is about 1.4 times this nominal value.

### Connecting the $SENSE^+$ and $SENSE^-$ Pins

The LTC3708 provides the user with an optional method to sense current through a sense resistor instead of using the  $R_{DS(ON)}$  of the synchronous MOSFET. When using a sense resistor, it is placed between the source of the synchronous MOSFET and ground. To measure the voltage

across this resistor, connect the  $SENSE^+$  pin to the source of the synchronous MOSFET and the  $SENSE^-$  pin to the other end of the resistor. The  $SENSE^+$  and  $SENSE^-$  pins provide the Kelvin connections, ensuring accurate voltage measurement across the resistor. Using a sense resistor provides a well-defined current limit, but adds cost and reduces efficiency. Alternatively, one can use the synchronous MOSFET as the current sense element by simply connecting the  $SENSE^+$  pin to the switch node SW and the  $SENSE^-$  pin to the source of the synchronous MOSFET, eliminating the sense resistor. This improves efficiency, but one must carefully choose the MOSFET on-resistance as discussed below.

### Power MOSFET Selection

Each output stage of the LTC3708 requires two external N-channel power MOSFETs, one for the top (main) switch and one for the bottom (synchronous) switch. Important parameters for the power MOSFETs are the breakdown voltage  $V_{(BR)DSS}$ , threshold voltage  $V_{GS(TH)}$ , on-resistance  $R_{DS(ON)}$ , reverse transfer capacitance,  $C_{RSS}$ , and maximum current,  $I_{DS(MAX)}$ .

The gate drive voltage is set by the 5V  $DRV_{CC}$  supply. Consequently, logic-level threshold MOSFETs must be used in LTC3708 applications. If the driver's voltage is expected to drop below 5V, then sub-logic level threshold MOSFETs should be considered.

When the bottom MOSFET is used as the current sense element, particular attention must be paid to its on-resistance. MOSFET on-resistance is typically specified with a maximum value  $R_{DS(ON)(MAX)}$  at 25°C. Additional margin is required to accommodate the rise in MOSFET on-resistance with temperature:

$$R_{DS(ON)(MAX)} = \frac{R_{SENSE}}{\rho_T}$$

The  $\rho_T$  term is a normalization factor (unity at 25°C) accounting for the significant variation in on-resistance with temperature, typically about 0.4%/°C. For a maximum junction temperature of 100°C, using a value  $\rho_{100^\circ C} = 1.3$  is reasonable (see Figure 3).

APPLICATIONS INFORMATION

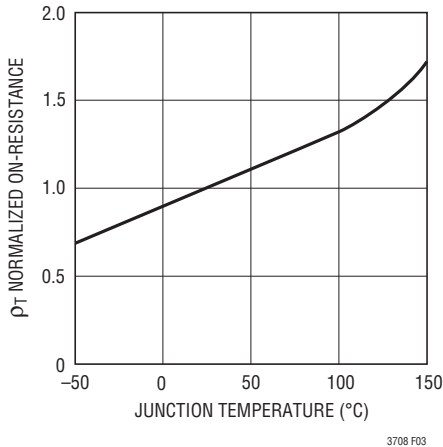


Figure 3.  $R_{DS(ON)}$  vs Temperature

The power dissipated by the top and bottom MOSFETs strongly depends upon their respective duty cycles and the load current. When the LTC3708 is operating in continuous mode, the duty cycles for the MOSFETs are:

$$D_{TOP} = \frac{V_{OUT}}{V_{IN}}$$

$$D_{BOT} = \frac{V_{IN} - V_{OUT}}{V_{IN}}$$

The resulting power dissipation in the MOSFETs at maximum output current are:

$$P_{TOP} = D_{TOP} \cdot I_{OUT(MAX)}^2 \cdot \rho_{T(TOP)} \cdot R_{DS(ON)} + (0.5) \cdot V_{IN}^2 \cdot I_{OUT(MAX)} \cdot C_{RSS} \cdot f \cdot R_{DR} \cdot \left( \frac{1}{(DRV_{CC} - V_{GS(TH)})} + \frac{1}{V_{GS(TH)}} \right)$$

$$P_{BOT} = D_{BOT} \cdot I_{OUT(MAX)}^2 \cdot \rho_{T(BOT)} \cdot R_{DS(ON)}$$

Both MOSFETs have  $I^2R$  losses and the top MOSFET includes an additional term for transition losses, which are largest at high input voltages. The bottom MOSFET losses are greatest when the bottom duty cycle is near 100%, during a short circuit or at high input voltage.

Operating Frequency

The choice of operating frequency is a trade-off between efficiency and component size. Low frequency operation improves efficiency by reducing MOSFET switching and driving losses but requires larger inductance and/or capacitance to maintain low output ripple voltage.

The operating frequency of LTC3708 applications is determined implicitly by the one-shot timer that controls the on time,  $t_{ON}$ , of the top MOSFET switch. The on time is set by the current into the  $I_{ON}$  pin according to:

$$t_{ON} = \frac{0.7}{I_{ION}} (10pF)$$

Tying a resistor,  $R_{ON}$ , from  $V_{IN}$  to the  $I_{ON}$  pin yields an on time inversely proportional to  $V_{IN}$ . For a step-down converter, this results in approximately constant frequency operation as the input supply varies:

$$f = \frac{V_{OUT}}{0.7 \cdot R_{ON}(10pF)}$$

Figure 4 shows how  $R_{ON}$  relates to switching frequency for several common output voltages.

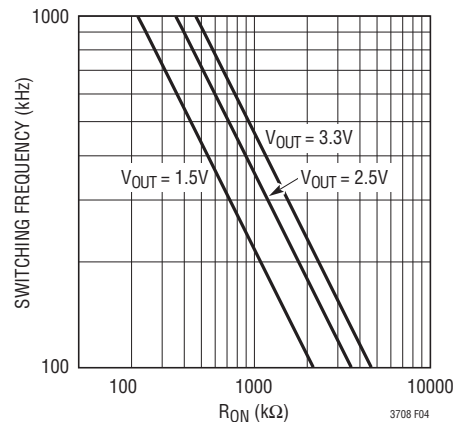


Figure 4. Switching Frequency vs  $R_{ON}$

## APPLICATIONS INFORMATION

### PLL and Frequency Synchronization

In the LTC3708, there are two onboard phase-locked loops (PLL). One PLL is used to achieve frequency locking and 180° phase shift between the two channels while the second PLL locks onto the rising edge of an external clock. Since the LTC3708 uses a constant on-time architecture, the error signal generated by the phase detector of the PLL is used to vary the on time to achieve frequency locking and phase separation. The variable on-time range is from  $0.5 \cdot t_{ON}$  to  $2 \cdot t_{ON}$ , where  $t_{ON}$  is the initial on time set by the  $R_{ON}$  resistor.

To fully utilize the frequency synchronization range of the PLL, it is advisable to set the initial on time properly so that the two channels have close free-running frequencies. Frequencies far apart may exceed the synchronization capability of the PLL. If the two output voltages are  $V_{OUT1}$  and  $V_{OUT2}$ , for example,  $R_{ON}$  resistors should then be selected proportionally:

$$\frac{R_{ON1}}{R_{ON2}} = \frac{V_{OUT1}}{V_{OUT2}}$$

Similarly, if the external PLL is engaged to synchronize to an external frequency of  $f_{EXT}$ ,  $R_{ON1}$  should be selected close to:

$$R_{ON1} = \frac{V_{OUT1}}{0.7 \cdot f_{EXT} \cdot 10pF}$$

$$\text{hence, } \left( R_{ON2} = \frac{V_{OUT2}}{0.7 \cdot f_{EXT} \cdot 10pF} \right)$$

In this case, channel 1 will first be synchronized to the external frequency and channel 2 will then be synchronized to channel 1 with 180° phase separation.

### Inductor Selection

Given the desired input and output voltages, the inductor value and operating frequency determine the ripple current:

$$\Delta I_L = \left( \frac{V_{OUT}}{f \cdot L} \right) \left( 1 - \frac{V_{OUT}}{V_{IN}} \right)$$

Lower ripple current reduces core losses in the inductor, ESR losses in the output capacitors and ripples in the output voltage. Highest efficiency operation is obtained at low frequency with small ripple current. However, achieving this requires a large inductor. There is a trade-off between component size and efficiency.

A reasonable starting point is to choose a ripple current that is about 40% of  $I_{OUT(MAX)}$ . Note that the largest ripple current occurs at the highest  $V_{IN}$ . To guarantee that ripple current does not exceed a specified maximum, the inductance should be chosen according to:

$$L = \left( \frac{V_{OUT}}{f \cdot \Delta I_L(MAX)} \right) \left( 1 - \frac{V_{OUT}}{V_{IN(MAX)}} \right)$$

Once the value for L is known, the type of inductor must be selected. A variety of inductors designed for high current, low voltage applications are available from manufacturers such as Sumida and Panasonic.

### Schottky Diode Selection

The Schottky diodes in parallel with both bottom MOSFETs conduct during the dead time between the conduction of the power MOSFET switches. They are intended to prevent the body diode of the bottom MOSFET from turning on and storing charge during the dead time, which causes a modest (about 1%) efficiency loss. The diodes can be rated for about one-half to one-fifth of the full load current since they are on for only a fraction of the duty cycle. In order for the diodes to be effective, the inductance between them and the bottom MOSFETs must be as small as possible, mandating that these components be placed as close as possible in the circuit board layout. The diodes can be omitted if the efficiency loss is tolerable.

### $C_{IN}$ and $C_{OUT}$ Selection

The selection of  $C_{IN}$  is simplified by the 2-phase architecture and its impact on the worst-case RMS current drawn through the input network (battery/fuse/capacitor). It can be shown that the worst-case RMS current occurs when only one controller is operating. The controller with the

## APPLICATIONS INFORMATION

highest ( $V_{OUT}$ )( $I_{OUT}$ ) product needs to be used in the formula below to determine the maximum RMS current requirement. Increasing the output current, drawn from the other out-of-phase controller, will actually decrease the input RMS ripple current from this maximum value (see Figure 2).

The type of input capacitor, value and ESR rating have efficiency effects that need to be considered in the selection process. The capacitance value chosen should be sufficient to store adequate charge to keep pulsating input currents down. 20 $\mu$ F to 40 $\mu$ F is usually sufficient for a 25W output supply operating at 200kHz. The ESR of the capacitor is important for capacitor power dissipation as well as overall efficiency. All of the power (RMS ripple current<sup>2</sup> • ESR) not only heats up the capacitor but wastes power from the battery.

Medium voltage (20V to 35V) ceramic, tantalum, OS-CON and switcher-rated electrolytic capacitors can be used as input capacitors, but each has drawbacks: ceramic voltage coefficients are very high and may have audible piezoelectric effects; tantalums need to be surge-rated; OS-CONs suffer from higher inductance, larger case size and limited surface-mount applicability; electrolytics' higher ESR and dryout possibility require several to be used. 2-phase systems allow the lowest amount of capacitance overall. As little as one 22 $\mu$ F or two to three 10 $\mu$ F ceramic capacitors are an ideal choice in a 20W to 35W power supply due to their extremely low ESR. Even though the capacitance at 20V is substantially below their rating at zero-bias, very low ESR loss makes ceramics an ideal candidate for highest efficiency battery operated systems. Also consider parallel ceramic and high quality electrolytic capacitors as an effective means of achieving ESR and bulk capacitance goals.

In continuous mode, the current of the top N-channel MOSFET is approximately a square wave of duty cycle  $V_{OUT}/V_{IN}$ . To prevent large voltage transients, a low ESR input capacitor sized for the maximum RMS current of one channel must be used. The maximum RMS capacitor current is given by:

$$I_{RMS} \approx I_{MAX} \frac{[V_{OUT}(V_{IN} - V_{OUT})]^{1/2}}{V_{IN}}$$

This formula has a maximum at  $V_{IN} = 2V_{OUT}$ , where  $I_{RMS} = I_{OUT}/2$ . This simple worst-case condition is commonly used for design because even significant deviations do not offer much relief. Note that capacitor manufacturer's ripple current ratings are often based on only 2000 hours of life. This makes it advisable to further derate the capacitor, or to choose a capacitor rated at a higher temperature than required. Several capacitors may also be paralleled to meet size or height requirements in the design. Always consult the manufacturer if there is any question.

The benefit of the LTC3708 2-phase operation can be calculated by using the equation above for the higher power channel and then calculating the loss that would have resulted if both controller channels switch on at the same time. The total RMS power lost is lower when both controllers are operating due to the interleaving of current pulses through the input capacitor's ESR. This is why the input capacitor's requirement calculated above for the worst-case controller is adequate for the dual controller design. Remember that input protection fuse resistance, battery resistance and PC board trace resistance losses are also reduced due to the reduced peak currents in a 2-phase system. *The overall benefit of a 2-phase design will only be fully realized when the source impedance of the power supply/battery is included in the efficiency testing.* The drains of the two top MOSFETS should be placed within 1cm of each other and share a common  $C_{IN}(s)$ . Separating the drains and  $C_{IN}$  may produce undesirable voltage and current resonances at  $V_{IN}$ .

The selection of  $C_{OUT}$  is driven by the effective series resistance (ESR) required to minimize voltage ripple and load step transients. The output ripple ( $\Delta V_{OUT}$ ) is determined by:

$$\Delta V_{OUT} \approx \Delta I_L \left( ESR + \frac{1}{8fC_{OUT}} \right)$$

where  $f$  = operating frequency,  $C_{OUT}$  = output capacitance, and  $\Delta I_L$  = ripple current in the inductor. The output ripple is highest at maximum input voltage since  $\Delta I_L$  increases with input voltage. Typically, once the ESR requirement is satisfied, the capacitance is adequate for filtering and has the necessary RMS current rating.



## APPLICATIONS INFORMATION

Manufacturers such as Nichicon, United Chemi-Con and Sanyo can be considered for high performance through-hole capacitors. The OS-CON semiconductor dielectric capacitor available from Sanyo has the lowest (ESR)(size) product of any aluminum electrolytic at a somewhat higher price. An additional ceramic capacitor in parallel with OS-CON capacitors is recommended to reduce the inductance effects.

In surface mount applications multiple capacitors may need to be used in parallel to meet the ESR, RMS current handling and load step requirements of the application. Aluminum electrolytic, dry tantalum and special polymer capacitors are available in surface mount packages. Special polymer capacitors offer very low ESR but have lower storage capacity per unit volume than other capacitor types. These capacitors offer a very cost-effective output capacitor solution and are an ideal choice when combined with a controller having high loop bandwidth. Tantalum capacitors offer the highest capacitance density and are often used as output capacitors for switching regulators having controlled soft-start. Several excellent surge-tested choices are the AVX TPS, AVX TPSV or the KEMET T510 series of surface mount tantalums, available in case heights ranging from 2mm to 4mm. Aluminum electrolytic capacitors can be used in cost-driven applications providing that consideration is given to ripple current ratings, temperature and long term reliability. A typical application will require several to many aluminum electrolytic capacitors in parallel. A combination of the above mentioned capacitors will often result in maximizing performance and minimizing overall cost. Other capacitor types include Nichicon PL series, Sanyo POSCAP, NEC Neocap, Cornell Dubilier ESRE and Sprague 595D series. Consult manufacturers for other specific recommendations.

### Top MOSFET Driver Supply ( $C_B$ , $D_B$ in the Functional Diagram)

An external bootstrap capacitor,  $C_B$ , connected to the BOOST pin supplies the gate drive voltage for the toplevel MOSFET. This capacitor is charged through diode  $D_B$  from  $DRV_{CC}$  when the switch node is low. Note that the average voltage across  $C_B$  is approximately  $DRV_{CC}$ . When the top MOSFET turns on, the switch node rises to  $V_{IN}$  and the

BOOST pin rises to approximately  $V_{IN} + DRV_{CC}$ . The boost capacitor needs to store about 100 times the gate charge required by the top MOSFET. In most applications 0.1 $\mu$ F to 0.47 $\mu$ F is adequate.

### Discontinuous Mode Operation and FCB Pin

The FCB pin determines whether the bottom MOSFET remains on when current reverses in the inductor. Tying this pin above its 2.3V threshold (typically to  $V_{CC}$ ) enables discontinuous operation where the bottom MOSFET turns off when inductor current reverses. The load current at which current reverses and discontinuous operation begins depends on the amplitude of the inductor ripple current and the ripple current depends on the choice of inductor value and operating frequency as well as the input and output voltages.

Tying the FCB pin below 1.9V forces continuous synchronous operation, allowing current to reverse at light loads and maintaining high frequency operation.

Besides providing a logic input to force continuous operation, the FCB pin acts as the input for external clock synchronization. Upon detecting the presence of an external clock signal, channel 1 will lock on to this external clock and this will be followed by channel 2 (see PLL and Frequency Synchronization).

The LTC3708 defaults to forced continuous mode when synchronized to an external clock or when the PGOOD signal is low.

### Fault Conditions: Current Limit

The maximum inductor current is inherently limited in a current mode controller by the maximum sense voltage. In the LTC3708, the maximum sense voltage is controlled by the voltage on the  $V_{RNG}$  pin. With valley current control, the maximum sense voltage and the sense resistance determine the maximum allowed inductor valley current. The corresponding output current limit is:

$$I_{LIMIT} = \frac{V_{SNS(MAX)}}{R_{DS(ON)} \cdot \rho_T} + \frac{1}{2} \cdot \Delta I_L$$

## APPLICATIONS INFORMATION

The current limit value should be checked to ensure that  $I_{LIMIT(MIN)} > I_{OUT(MAX)}$ . The minimum value of current limit generally occurs with the largest  $V_{IN}$  at the highest ambient temperature, conditions which cause the largest power loss in the converter. Note that it is important to check for self-consistency between the assumed junction temperature and the resulting value of  $I_{LIMIT}$ , which heats the junction.

Caution should be used when setting the current limit based upon the  $R_{DS(ON)}$  of the MOSFETs. The maximum current limit is determined by the minimum MOSFET on-resistance. Data sheets typically specify nominal and maximum values for  $R_{DS(ON)}$ , but not a minimum. A reasonable assumption is that the minimum  $R_{DS(ON)}$  lies the same amount below the typical value as the maximum lies above it. Consult the MOSFET manufacturer for further guidelines.

For a more accurate current limiting, a sense resistor can be used. Sense resistors in the 1W power range can be easily available in the 5%, 2% or 1% tolerance. The temperature coefficient of these resistors is very low, ranging from  $\pm 250\text{ppm}/^\circ\text{C}$  to  $\pm 75\text{ppm}/^\circ\text{C}$ . In this case, the  $(R_{DS(ON)} \cdot \rho_T)$  product in the above equation can simply be replaced by the  $R_{SENSE}$  value.

### Minimum Off Time and Dropout Operation

The minimum off time  $t_{OFF(MIN)}$  is the smallest amount of time that the LTC3708 is capable of turning on the bottom MOSFET, tripping the current comparator and turning the MOSFET back off. This time is generally about 270ns. The minimum off time limit imposes a maximum duty cycle of  $t_{ON}/(t_{ON} + t_{OFF(MIN)})$ . If the maximum duty cycle is reached, due to a dropping input voltage for example, then the output will drop out of regulation. The minimum input voltage to avoid dropout is:

$$V_{IN(MIN)} = V_{OUT} \frac{t_{ON} + t_{OFF(MIN)}}{t_{ON}}$$

A plot of maximum frequency vs duty cycle is shown in Figure 5.

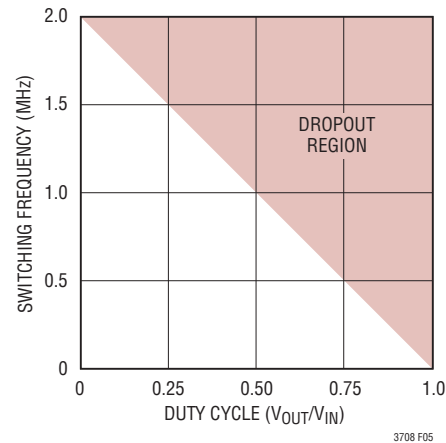


Figure 5. Maximum Switching Frequency vs Duty Cycle

### Soft-Start and Latchoff with the RUN/SS Pin

The RUN/SS pin provides a means to shut down the LTC3708 as well as a timer for soft-start and overcurrent latchoff.

Pulling the RUN/SS pin below 0.8V shuts down the LTC3708. Releasing the pin allows an internal  $1.2\mu\text{A}$  internal current source to charge the external capacitor,  $C_{SS}$ . If RUN/SS has been pulled all the way to ground, there is a delay before starting of about:

$$t_{DELAY} = \frac{1.3V}{1.2\mu A} \cdot C_{SS} = (1.1s/\mu F)C_{SS}$$

When the RUN/SS voltage reaches the ON threshold (typically 1.3V), the LTC3708 begins operating with a clamp on channel 1's reference voltage. The clamp level is one threshold voltage below RUN/SS. As the voltage on RUN/SS continues to rise, channel 1's reference is raised at the same rate, achieving monotonic output voltage soft-start (Figure 6). When RUN/SS rises 0.6V above the ON threshold, the reference clamp is invalidated and the internal precision reference takes over. When channel 2 is tracked to channel 1, soft-start on channel 2 is automatically achieved (see Output Voltage Tracking).

## APPLICATIONS INFORMATION

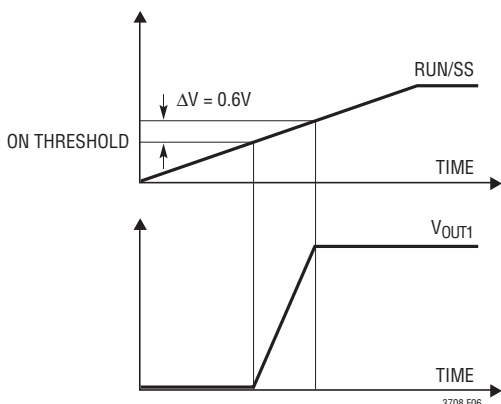


Figure 6. Monotonic Soft-Start Waveforms

Controlled soft-start requires that the timing capacitor,  $C_{SS}$ , be made large enough to guarantee that the output can track the voltage rise on the RUN/SS pin. The minimum  $C_{SS}$  capacitance can be calculated:

$$C_{SS} > \frac{R1 + R2}{R1} \cdot \frac{30\mu A \cdot R_{SENSE}}{V_{RNG}} \cdot C_{OUT}$$

where  $R1$  and  $R2$  are the feedback resistive dividers (Functional Diagram),  $C_{OUT}$  is the output capacitance and  $R_{SENSE}$  is the current sense resistance. When bottom MOSFET  $R_{DS(ON)}$  is used for current sensing,  $R_{SENSE}$  should be replaced with the worst-case  $R_{DS(ON)(MAX)}$ . Generally,  $0.1\mu F$  is more than sufficient for  $C_{SS}$ .

After the controller has been started and given adequate time to charge the output capacitor,  $C_{SS}$  is used as a short-circuit timer. After the RUN/SS pin charges above 3V and if either output voltage falls below 70% of its regulated value, a short-circuit fault is assumed. A  $2\mu A$  current then begins discharging  $C_{SS}$ . If the fault condition persists until the RUN/SS pin drops to 2.5V, the controller turns off all power MOSFETs, shutting down both channels. The RUN/SS pin must be actively pulled down to ground in order to restart operation.

Overcurrent latching operation is not always needed or desired and can prove annoying during troubleshooting. This feature can be overridden by adding a pull-up current of  $>5\mu A$  to the RUN/SS pin (Figure 7). The additional current prevents the discharge of  $C_{SS}$  during a fault and also shortens the soft-start period.

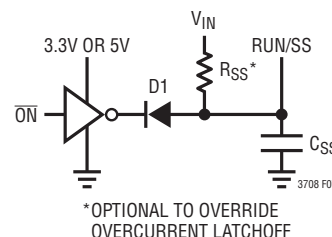


Figure 7. RUN/SS Pin Interfacing with Latchoff Defeated

## Output Voltage Tracking

The LTC3708 allows the user to program how the second channel output ramps up and down by means of the TRACK2 pin. Through this pin, the second channel output can be set up to either coincidentally or ratiometrically track the channel 1 output, as shown in Figure 8.

Similar to RUN/SS, the TRACK2 pin acts as a clamp on channel 2's reference voltage.  $V_{OUT2}$  is referenced to the TRACK2 voltage when the TRACK2  $< 0.6V$  and to the internal precision reference when TRACK2  $> 0.6V$ .

To implement the tracking in Figure 8a, connect an extra resistive divider to the output of channel 1 and connect its midpoint to the TRACK2 pin. The ratio of this divider should be selected the same as that of channel 2's feedback divider (Figure 9a). **In this tracking mode,  $V_{OUT1}$  must be set higher than  $V_{OUT2}$ .** To implement the ratiometric tracking in Figure 8b, no extra divider is needed; simply connect the TRACK2 pin to the  $V_{FB1}$  pin (Figure 9b).

By selecting different resistors, the LTC3708 can achieve different modes of tracking including the two in Figure 8. So which mode should be programmed? While either mode in Figure 8 satisfies most practical applications, there does exist some trade-off. The ratiometric mode saves a pair of resistors but the coincident mode offers better output regulation. This can be better understood with the help of Figure 10. At the input stage of channel 2's error amplifier, two common anode diodes are used to clamp the equivalent reference voltage and an additional diode is used to match the shifted common mode voltage. The top two current sources are of the same amplitude. In the coincident mode, the TRACK2 voltage is substantially higher than 0.6V at steady state and effectively turns off

APPLICATIONS INFORMATION

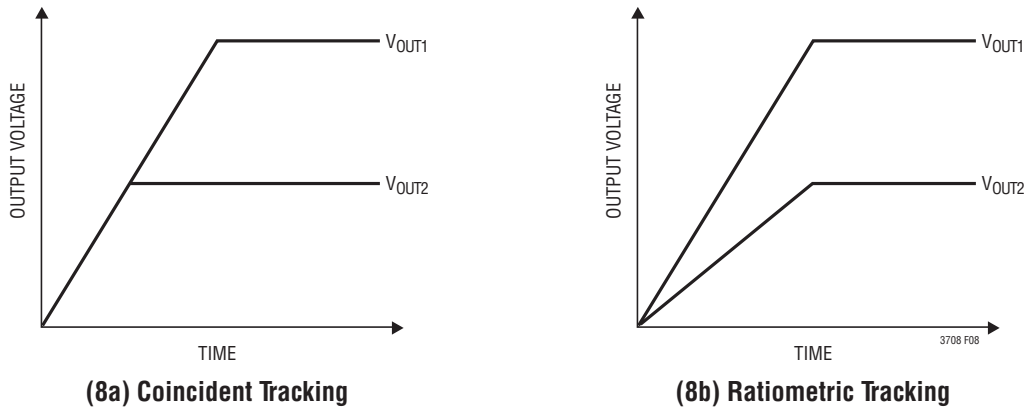


Figure 8. Two Different Modes of Output Voltage Tracking

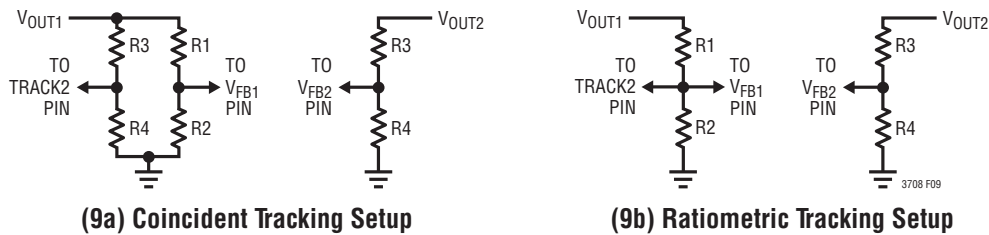


Figure 9. Setup for Coincident and Ratiometric Tracking

$$\left( \frac{R1}{R2} = \frac{V_{OUT1}}{0.6} - 1, \frac{R3}{R4} = \frac{V_{OUT2}}{0.6} - 1 \right)$$

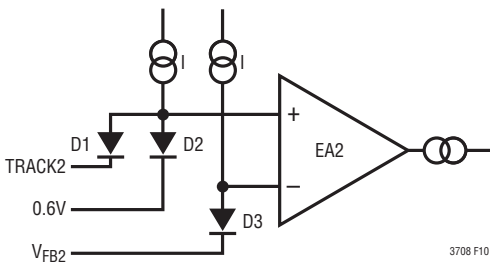


Figure 10. Equivalent Input Circuit of Error Amplifier of Channel 2

D1, D2 and D3 will therefore conduct the same current and offer tight matching between  $V_{FB2}$  and the internal precision 0.6V reference. In the ratiometric mode, however, TRACK2 equals 0.6V even at steady state. D1 will divert part of the bias current and make  $V_{FB2}$  slightly lower than 0.6V. Although this error is minimized by the exponential

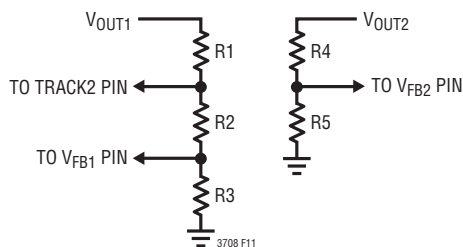
I-V characteristic of the diodes, it does impose a finite amount of output voltage deviation. Further, when channel 1's output experiences dynamic excursions (under load transient, for example), channel 2 will be affected as well. *For better output regulation, use the coincident tracking mode instead of ratiometric.*

The number of resistors in Figure 9a can be further reduced with the scheme in Figure 11.

In a system that requires more than two tracked supplies, multiple LTC3708s can be daisy-chained through the TRACK1 pin. TRACK1 clamps channel 1's reference in the same manner TRACK2 clamps channel 2. To eliminate the possibility of multiple LTC3708s coming on at different times, only the master LTC3708's RUN/SS pin should be

## APPLICATIONS INFORMATION

connected to a soft-start capacitor. All other LTC3708s should have their RUN/SS pins pulled up to  $V_{CC}$  with a resistor between 50k and 300k. Figure 12 shows the circuit with four outputs. Three of them are programmed in the coincident mode while the fourth one tracks ratiometrically. If output tracking is not needed, connect the TRACK pins to  $V_{CC}$ . *Do Not Float These Pins.*



**Figure 11. Alternative Setup for Coincident Tracking**

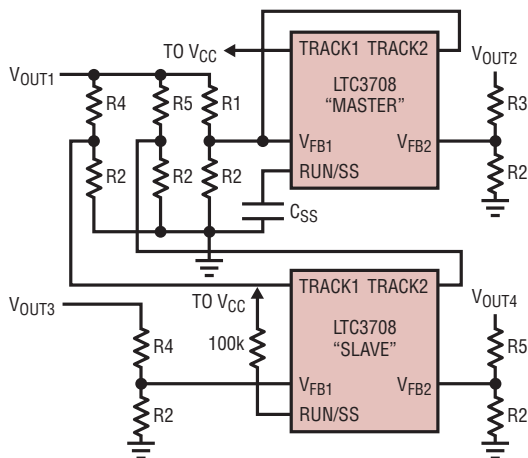
$$\left( \frac{R1+R2}{R3} = \frac{V_{OUT1}}{0.6} - 1, \frac{R1}{R2+R3} = \frac{R4}{R5} = \frac{V_{OUT2}}{0.6} - 1 \right)$$

### Efficiency Considerations

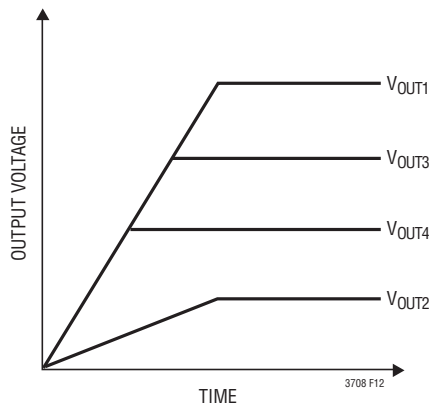
The percent efficiency of a switching regulator is equal to the output power divided by the input power times 100%. It is often useful to analyze individual losses to determine what is limiting the efficiency and which change would produce the most improvement.

Although all dissipative elements in the circuit produce losses, four main sources account for most of the losses in LTC3708 circuits:

1. DC  $I^2R$  Losses. These arise from the resistances of the MOSFETs, inductor and PC board traces and cause the efficiency to drop at high output currents. In continuous mode, the average output current flows through L, but is chopped between the top and bottom MOSFETs. If the two MOSFETs have approximately the same  $R_{DS(ON)}$ , then the resistance of one MOSFET can simply be summed with the resistances of L and the board traces to obtain the DC  $I^2R$  loss. For example, if  $R_{DS(ON)} = 0.01\Omega$  and  $R_L = 0.005\Omega$ , the loss will range from 15mW up to 1.5W as the output current varies from 1A to 10A.



**(12a) Circuit Setup**



**(12b) Output Voltage**

**Figure 12. Four Outputs with Tracking and Ratiometric Sequencing**

$$\left( \frac{R1}{R2} = \frac{V_{OUT1}}{0.6} - 1, \frac{R3}{R2} = \frac{V_{OUT2}}{0.6} - 1, \frac{R4}{R2} = \frac{V_{OUT3}}{0.6} - 1, \frac{R5}{R2} = \frac{V_{OUT4}}{0.6} - 1 \right)$$

## APPLICATIONS INFORMATION

2. Transition Loss. This loss arises from the brief amount of time the top MOSFET spends in the saturated region during switch node transitions. It depends upon the input voltage, load current, driver strength and MOSFET capacitance, among other factors. The loss is significant at input voltages above 20V and can be estimated from:

Transition Loss  $\approx$

$$(0.5) \cdot V_{IN}^2 \cdot I_{OUT} \cdot C_{RSS} \cdot f \cdot$$

$$R_{DS(ON)\_DRV} \left( \frac{1}{DRV_{CC} - V_{GS(TH)}} + \frac{1}{V_{GS(TH)}} \right)$$

3.  $DRV_{CC}$  and  $V_{CC}$  Current. This is the sum of the MOSFET driver and control currents. The driver current supplies the gate charge  $Q_G$  required to switch the power MOSFETs. This current is typically much larger than the control circuit current. In continuous mode operation:

$$I_{GATECHG} = f(Q_{G(TOP)} + Q_{G(BOT)})$$

4.  $C_{IN}$  Loss. The input capacitor has the difficult job of filtering the large RMS input current to the regulator. It must have a very low ESR to minimize the AC  $I^2R$  loss and sufficient capacitance to prevent the RMS current from causing additional upstream losses in fuses or batteries. The LTC3708 2-phase architecture typically halves this  $C_{IN}$  loss over the single phase solutions.

Other losses, including  $C_{OUT}$  ESR loss, Schottky conduction loss during dead time and inductor core loss generally account for less than 2% additional loss.

When making any adjustments to improve efficiency, the final arbiter is the total input current for the regulator at your operating point. If you make a change and the input current decreases, then you improve the efficiency. If there is no change in input current, then there is no change in efficiency.

### Checking Transient Response

The regulator loop response can be checked by looking at the load transient response. Switching regulators take several cycles to respond to a step in load current. When

a load step occurs,  $V_{OUT}$  immediately shifts by an amount equal to  $\Delta I_{LOAD}$  (ESR), where ESR is the effective series resistance of  $C_{OUT}$ .  $\Delta I_{LOAD}$  also begins to charge or discharge  $C_{OUT}$  generating a feedback error signal used by the regulator to return  $V_{OUT}$  to its steady-state value. During this recovery time,  $V_{OUT}$  can be monitored for overshoot or ringing that would indicate a stability problems. The  $I_{TH}$  pin external components shown in Figure 13 will provide adequate compensation for most applications. For a detailed explanation of switching control loop theory see Linear Technology Application Note 76.

### Design Example

As a design example, take a supply with the following specifications:  $V_{IN} = 7V$  to 28V (15V nominal),  $V_{OUT1} = 2.5V$ ,  $V_{OUT2} = 1.8V$ ,  $I_{OUT1(MAX)} = I_{OUT2(MAX)} = 10A$ ,  $f = 500kHz$  and  $V_{OUT2}$  to track  $V_{OUT1}$ .

First calculate the timing resistor:

$$R_{ON1} = \frac{2.5V}{(0.7V)(500kHz)(10pF)} = 714k$$

Select a standard value of 715k.

$$R_{ON2} = \frac{1.8V}{(0.7V)(500kHz)(10pF)} = 514k$$

Select a standard value of 511k.

Next, choose the feedback resistors:

$$\frac{R1}{R2} = \frac{2.5V}{0.6V} - 1 = 3.17$$

Select  $R1 = 31.6k$ ,  $R2 = 10k$ .

$$\frac{R3}{R4} = \frac{1.8V}{0.6V} - 1 = 2$$

Select  $R3 = 20k$ ,  $R4 = 10k$ .

For  $V_{OUT2}$  to coincidentally track  $V_{OUT1}$  at start-up, connect an extra pair of  $R3$  and  $R4$  across  $V_{OUT1}$  with its midpoint tied to the TRACK2 pin.

## APPLICATIONS INFORMATION

Third, design the inductors for about 40% ripple current at the maximum  $V_{IN}$ :

$$L1 = \frac{2.5V}{(500kHz)(0.4)(10A)} \left(1 - \frac{2.5V}{28V}\right) = 1.1\mu H$$

A standard 1 $\mu$ H inductor will result in 45% of ripple current (4.5A) at worst case.

$$L2 = \frac{1.8V}{(500kHz)(0.4)(10A)} \left(1 - \frac{1.8V}{28V}\right) = 0.8\mu H$$

L2 can also use 1 $\mu$ H to save some BOM (Bill of Material) cost; the resulting ripple current is 3.4A.

The selection of MOSFETs is simplified by the fact that both channels have the same maximum output current. Select the top and bottom MOSFETs for one channel and the same MOSFETs can be used for the other. Take channel 1 for calculation and begin with the bottom synchronous MOSFET. As stated previously in the Power MOSFET Selection section, the major criterion in selecting the bottom MOSFET is low  $R_{DS(ON)}$ . Choose an Si4874 for example:  $R_{DS(ON)} = 0.0083\Omega$  (nom)  $0.010\Omega$  (max),  $\theta_{JA} = 40^\circ C/W$ . The nominal sense voltage is:

$$V_{SNS(NOM)} = (10A)(1.3)(0.0083) = 108mV$$

Tying  $V_{RNG1}$  to 1.1V will set the current sense voltage range for a nominal value of 110mV with the current limit occurring at 146mV. To check if the current limit is acceptable, assume a junction temperature of about  $80^\circ C$  above a  $70^\circ C$  ambient with  $\rho_{150^\circ C} = 1.5$ :

$$I_{LIMIT} \geq \frac{146mV}{(1.5)(0.010\Omega)} + \frac{1}{2}(4.1A) = 11.8A$$

and double check the assumed  $T_J$  in the MOSFET:

$$P_{BOT} = \frac{28V - 2.5V}{28V} (11.8A)^2 (1.5)(0.010\Omega) = 1.9W$$

$$T_J = 70^\circ C + (1.90W)(40^\circ C/W) = 146^\circ$$

Because the top MOSFET is on for only a short time, an Si4884 will be sufficient:  $R_{DS(ON)} = 0.0165\Omega$  (max),

$C_{RSS} = 190pF$ ,  $V_{GS(TH)} = 1V$ ,  $\theta_{JA} = 42^\circ C/W$ . Checking its power dissipation at current limit with  $\rho_{130^\circ C} = 1.6$ :

$$P_{TOP} = \frac{2.5V}{28V} (11.8A)^2 (1.6)(0.0165\Omega) + (0.5)(28V)^2 (11.8A)(190pF)(500kHz)(2\Omega) \left(\frac{1}{5V - 1V} + \frac{1}{1V}\right) = 0.33W + 1.10W = 1.43W$$

$$T_J = 70^\circ C + (1.43W)(42^\circ C/W) = 130^\circ$$

The junction temperatures for both top and bottom MOSFETs will be significantly less at nominal current, but the above analysis shows that careful attention to PCB layout and heat sinking will be necessary in this circuit. The same MOSFETs (Si4874 and Si4884) can be used for channel 2.

Finally, an input capacitor is chosen for an RMS current rating of about 5A at  $85^\circ C$  and the output capacitors are chosen for a low ESR of  $0.013\Omega$  to minimize output voltage changes due to inductor ripple current and load steps. The ripple voltage will be only:

$$\begin{aligned} \Delta V_{OUT1(RIPPLE)} &= \Delta I_{L1} \cdot \left( ESR + \frac{1}{8 \cdot f \cdot C_{OUT}} \right) \\ &= 4.5A \cdot \left( 0.013\Omega + \frac{1}{8 \cdot 500kHz \cdot 470\mu F} \right) \\ &= 60mV \end{aligned}$$

$$\begin{aligned} \Delta V_{OUT2(RIPPLE)} &= \Delta I_{L2} \cdot \left( ESR + \frac{1}{8 \cdot f \cdot C_{OUT}} \right) \\ &= 3.4A \cdot \left( 0.013\Omega + \frac{1}{8 \cdot 500kHz \cdot 470\mu F} \right) \\ &= 46mV \end{aligned}$$

However, a 0A to 10A load step will cause an output change of up to:

$$\Delta V_{OUT(STEP)} = \Delta I_{LOAD(ESR)} = (10A)(0.013\Omega) = 130mV$$

An optional 22 $\mu$ F ceramic output capacitor is included to minimize the effect of ESL in the output ripple. The complete circuit is shown in Figure 13.

APPLICATIONS INFORMATION

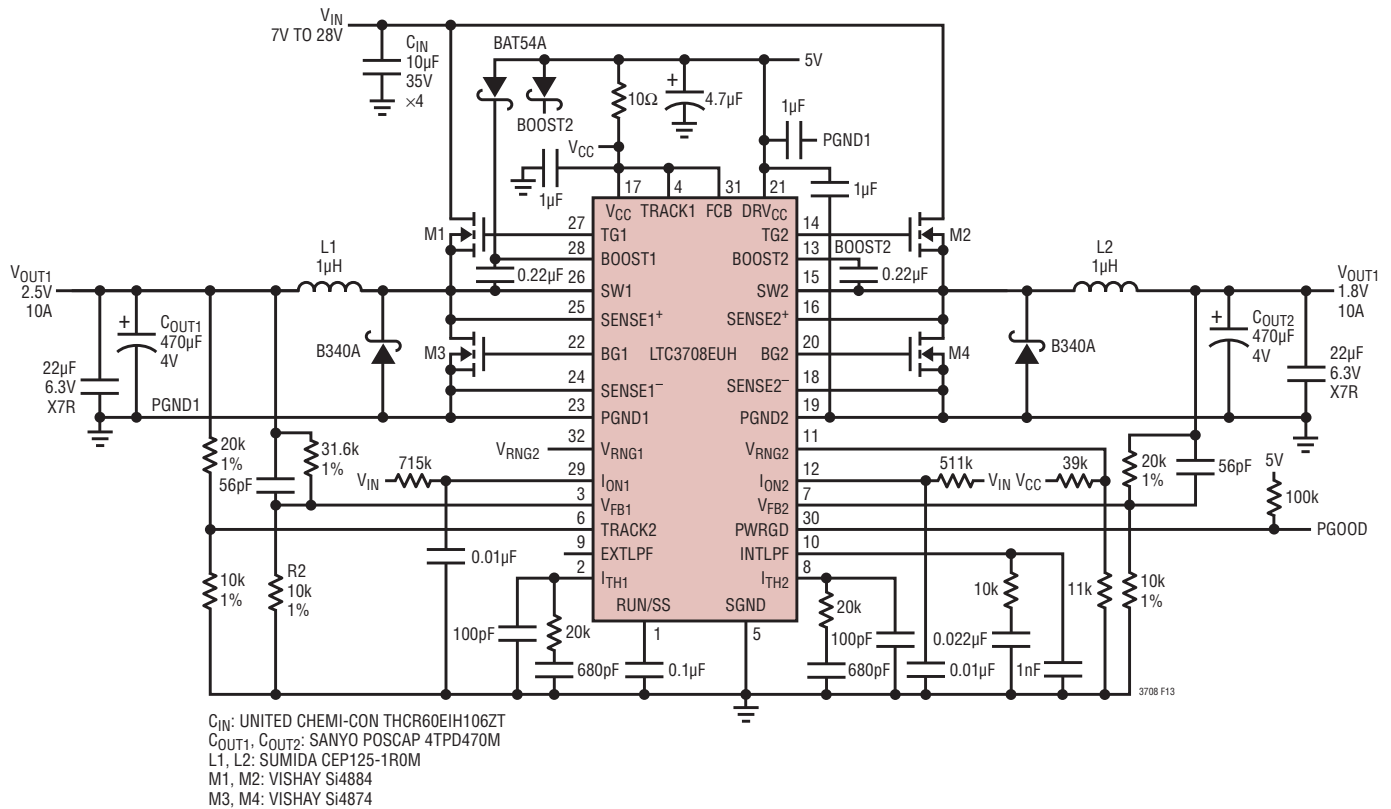


Figure 13. Design Example: 2.5V/10A and 1.8V/10A at 500kHz with Output Tracking

PC Board Layout Checklist

When laying out the printed circuit board, the following checklist should be used to ensure proper operation of the LTC3708. These items are also illustrated graphically in Figure 14. Figure 15 further shows the current waveforms present in the various branches of the 2-phase synchronous Buck regulators operating in the continuous mode.

- Place the loop of M1, M3 and C<sub>IN1</sub> in a compact area. This loop conducts high pulsating current and its area needs to be minimized. Place M2, M4 and C<sub>IN2</sub> in the same way.
- Place C<sub>IN1</sub> and C<sub>IN2</sub> within the distance of 1cm. Longer distance may cause a large resonant loop.
- Connect the negative plates of C<sub>OUT1</sub> and C<sub>DR1</sub> to PGND1 before it joins PGND2 at the ground plane. Connect C<sub>OUT2</sub> and C<sub>DR2</sub> in the same way so that power grounds are separated before they meet at a single point.
- Cover the board area under the LTC3708 with a SGND plane. For the LTC3708EUH, solder the back of the IC to this plane. Separate SGND from the power ground and connect all signal components (I<sub>TH</sub>, V<sub>FB</sub>, I<sub>ON</sub>, V<sub>CC</sub>, EXTLPF, INTLPF, V<sub>RNG</sub>, TRACK and RUN/SS) to the SGND plane before it joins PGND. Connect SGND to the ground plane at a single point.
- Run SENSE<sup>+</sup> and SENSE<sup>-</sup> across the bottom MOSFET (or R<sub>SENSE</sub> when a separate current sensing resistor is used) with Kelvin connection (Figure 16). Route SENSE<sup>+</sup> and SENSE<sup>-</sup> together with minimum PC trace separation. The filter capacitor (when used) between SENSE<sup>+</sup> and SENSE<sup>-</sup> should be as close to the LTC3708 as possible.
- Keep the high dV/dt nodes SW, TG and BOOST away from sensitive small-signal nodes.



## APPLICATIONS INFORMATION

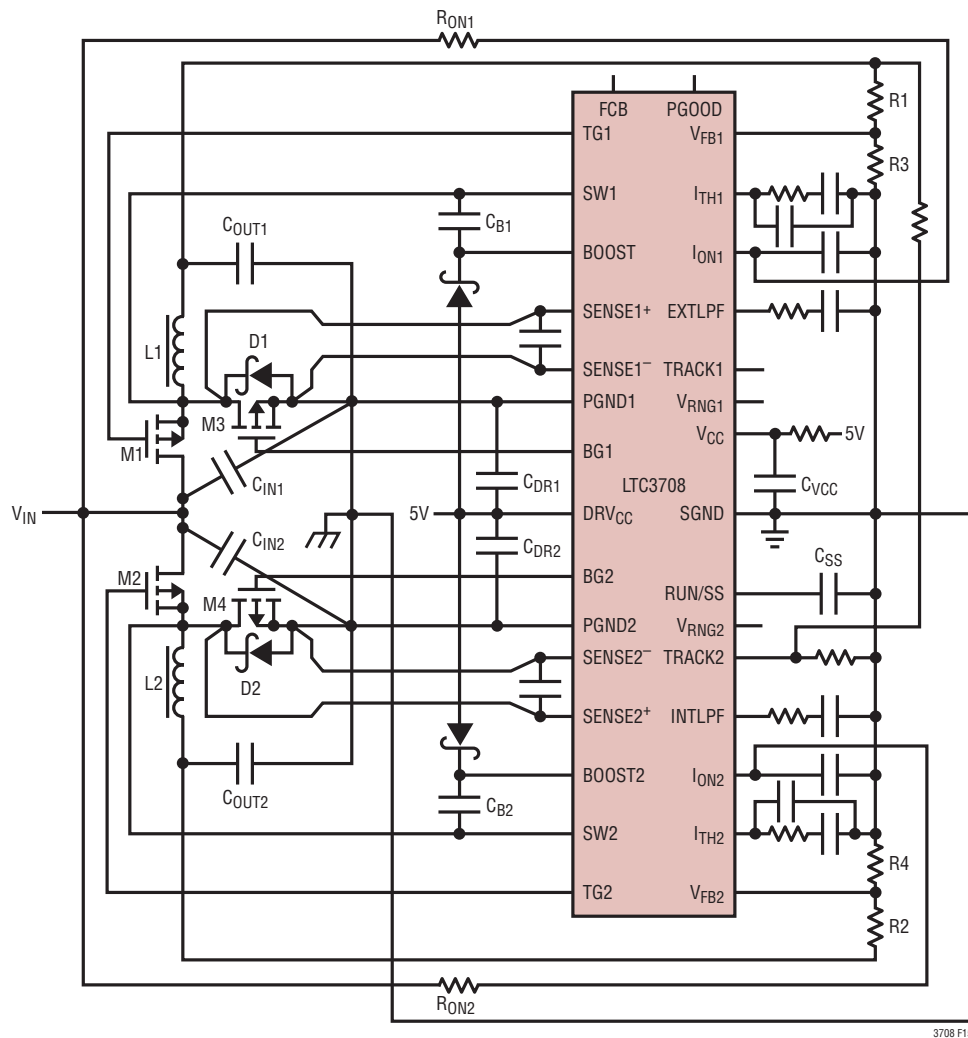


Figure 14. LTC3708 Layout Diagram

- Connect the decoupling capacitors  $C_{DR1}$  and  $C_{DR2}$  close to the  $DRV_{CC}$  and  $PGND$  pins. Connect  $C_{B1}$  and  $C_{B2}$  close to the  $BOOST$  and  $SW$  pins.
- Connect the decoupling capacitor  $C_{VCC}$  right across the  $V_{CC}$  pin and  $SGND$  plane. Connect the EA compensation components close to the  $I_{TH}$  pins. Connect the PLL loop filter close to the  $EXTLPF$  and  $INTLPF$  pins. Connect the  $I_{ON}$  decoupling capacitor close to the  $I_{ON}$  pins.
- Flood all unused areas on all layers with copper. Flooding will reduce the temperature rise of the power components. You can connect the copper area to any DC net ( $V_{IN}$ ,  $V_{OUT}$ ,  $GND$  or to any other DC rail in your system).

APPLICATIONS INFORMATION

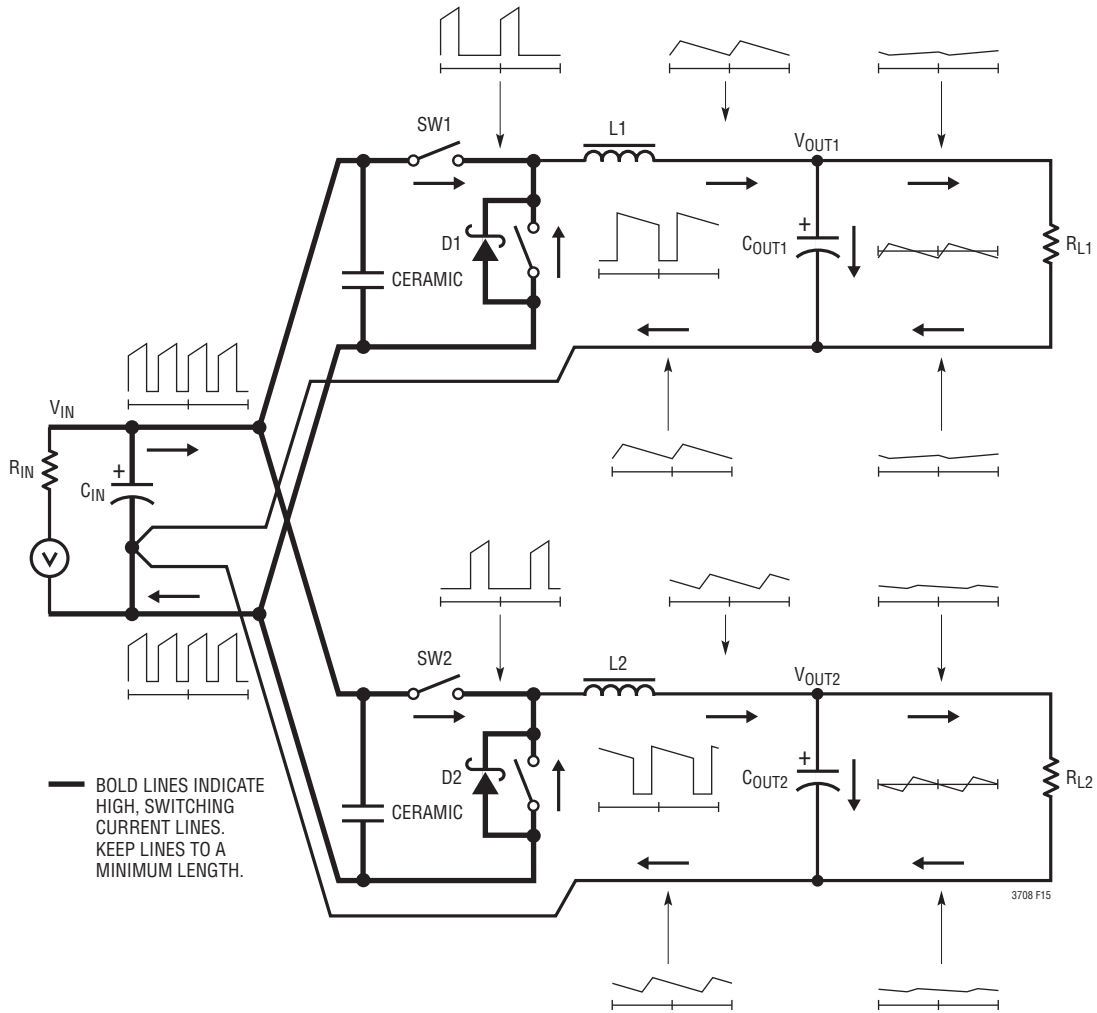
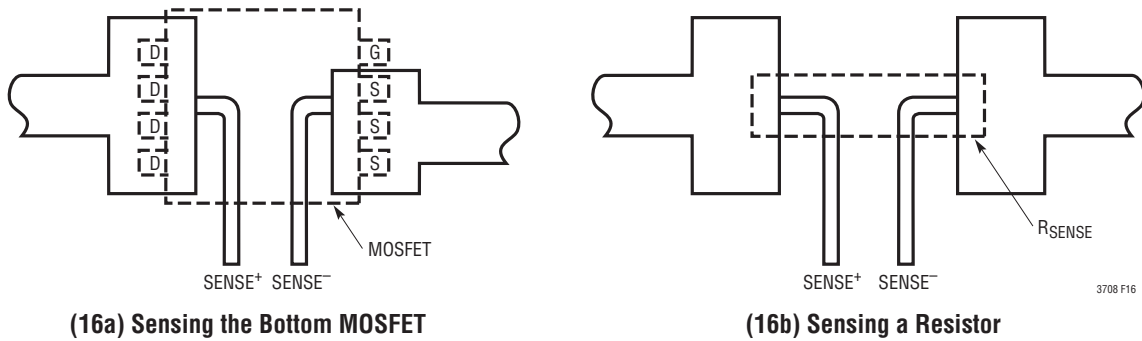


Figure 15. Branch Current Waveforms



(16a) Sensing the Bottom MOSFET

(16b) Sensing a Resistor

Figure 16. Kelvin Sensing

APPLICATIONS INFORMATION

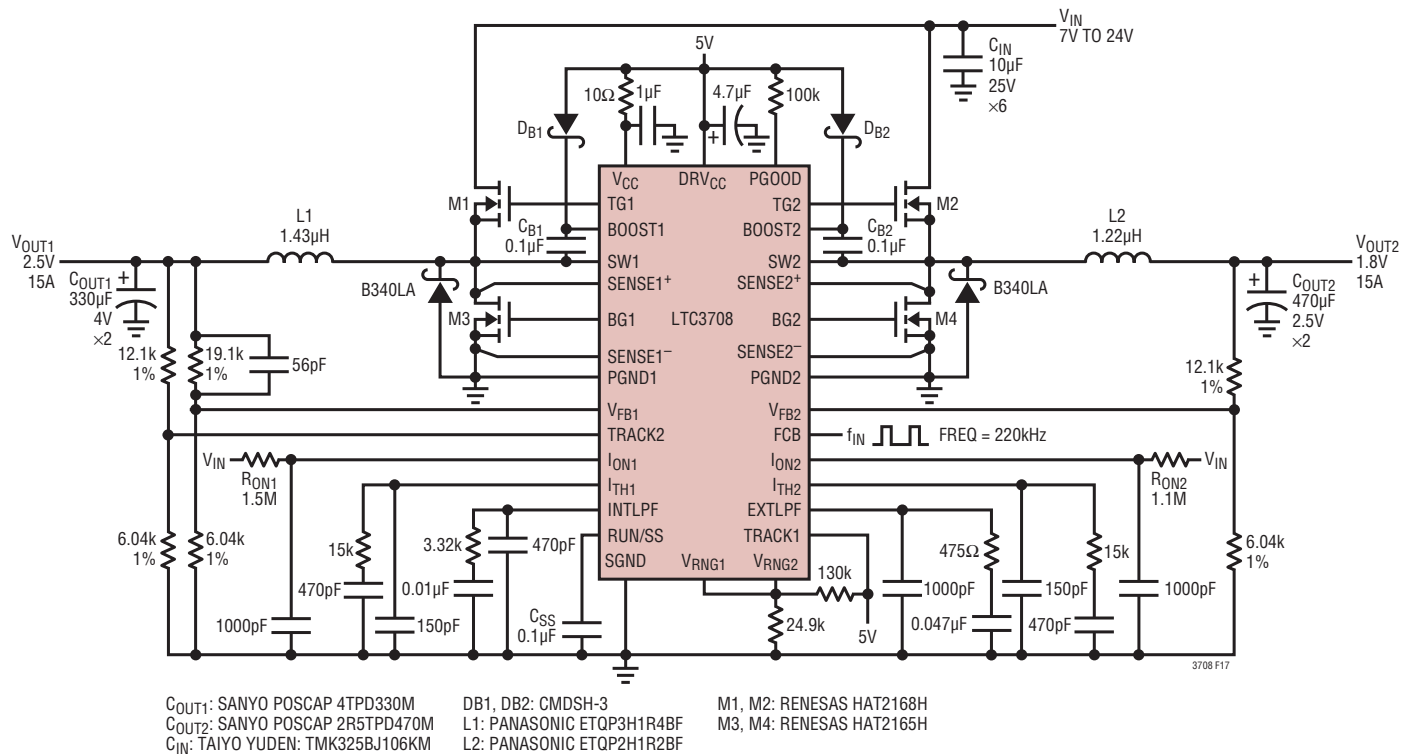
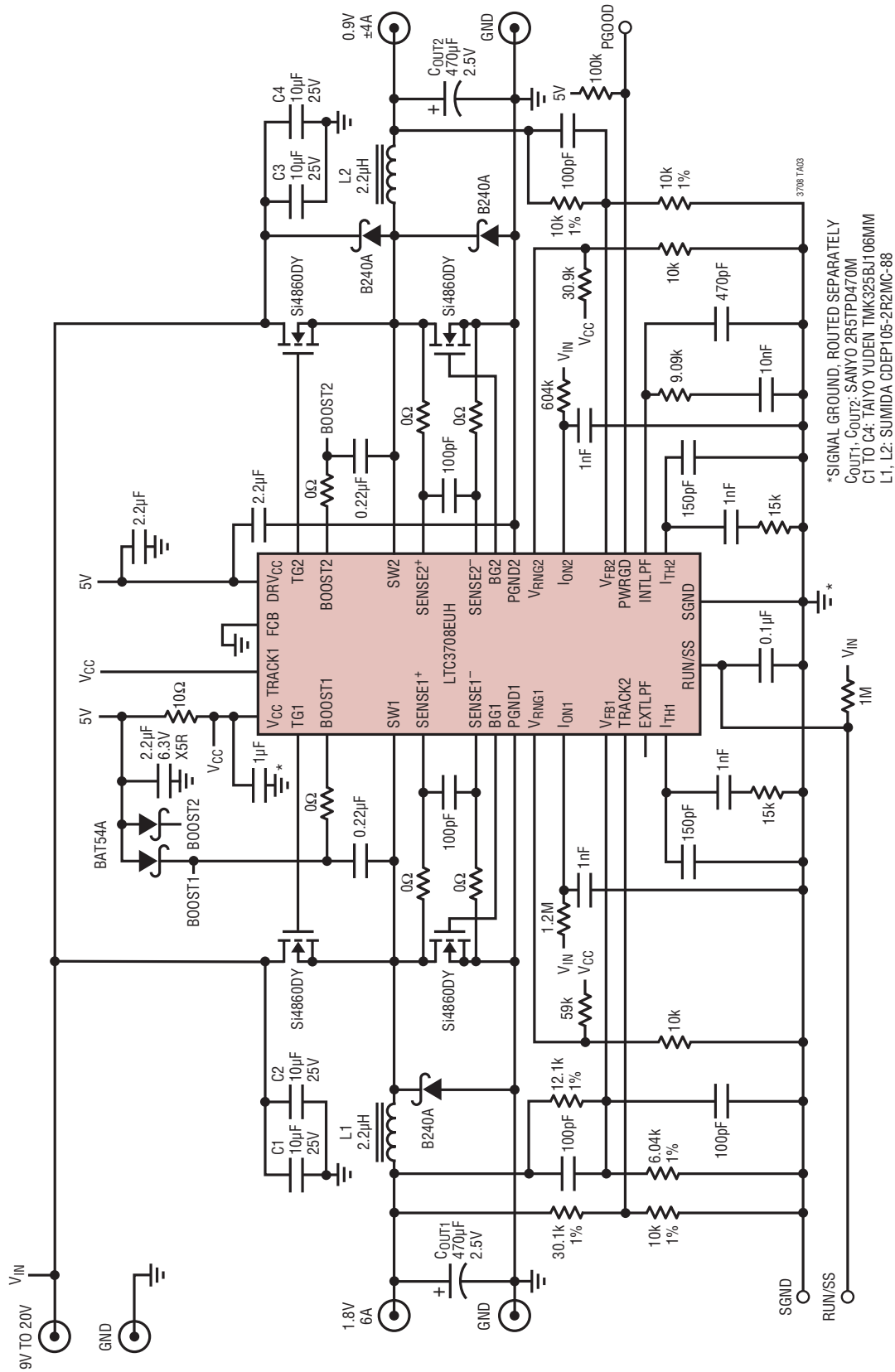


Figure 17. High Efficiency, Dual Output Power Supply with External Frequency Synchronization

TYPICAL APPLICATIONS

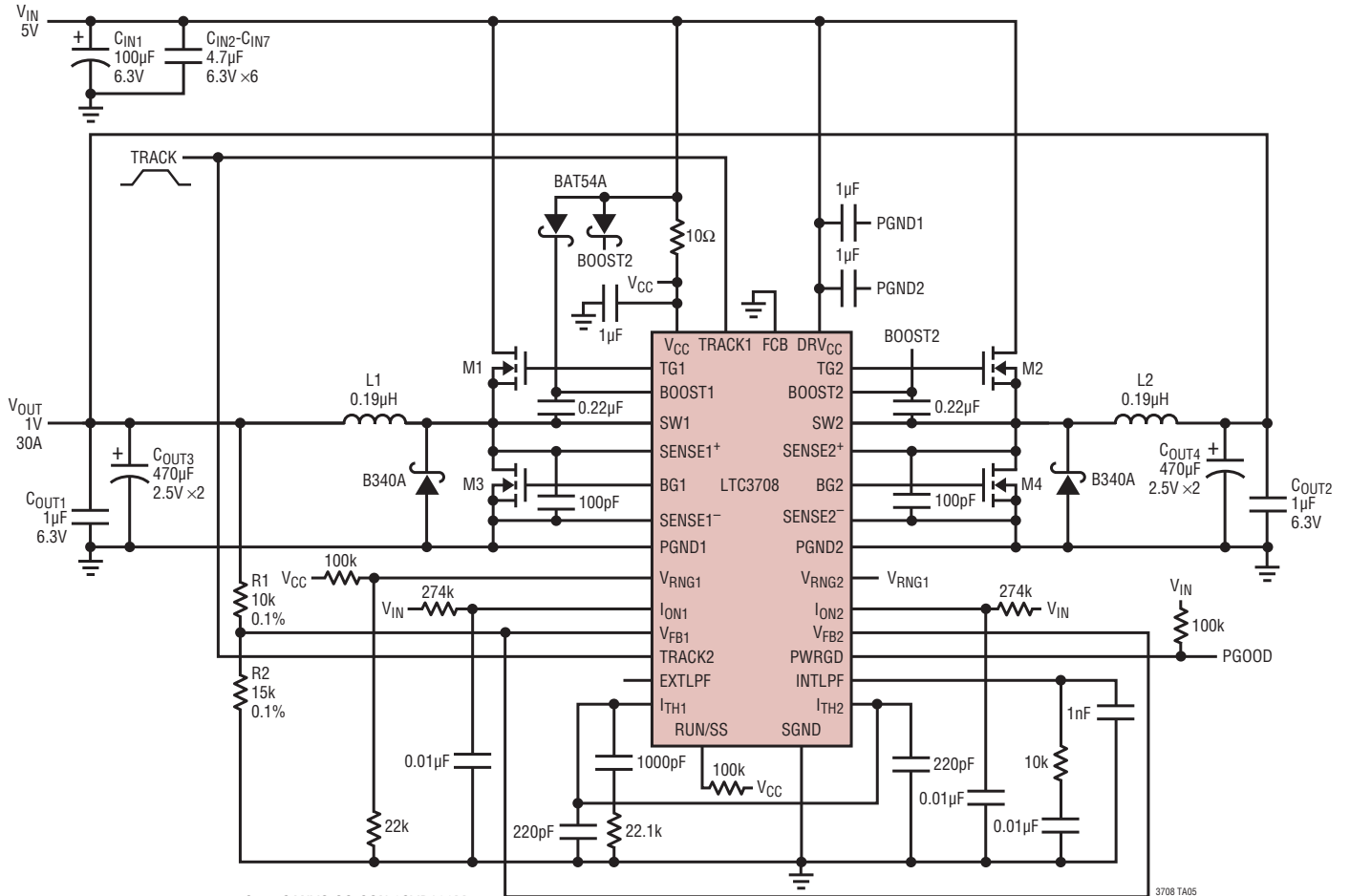
DDR II Supplies with Transient Coupling



\* SIGNAL GROUND, ROUTED SEPARATELY  
 COUT1, COUT2: SANYO 2R5TPD470M  
 C1 TO C4: TAIYO YUDEN TMK325BJ106MM  
 L1, L2: SUMIDA CDEP105-2R2MC-88

# TYPICAL APPLICATIONS

Dual-Phase, 30A Power Supply with 10mV Output Ripple

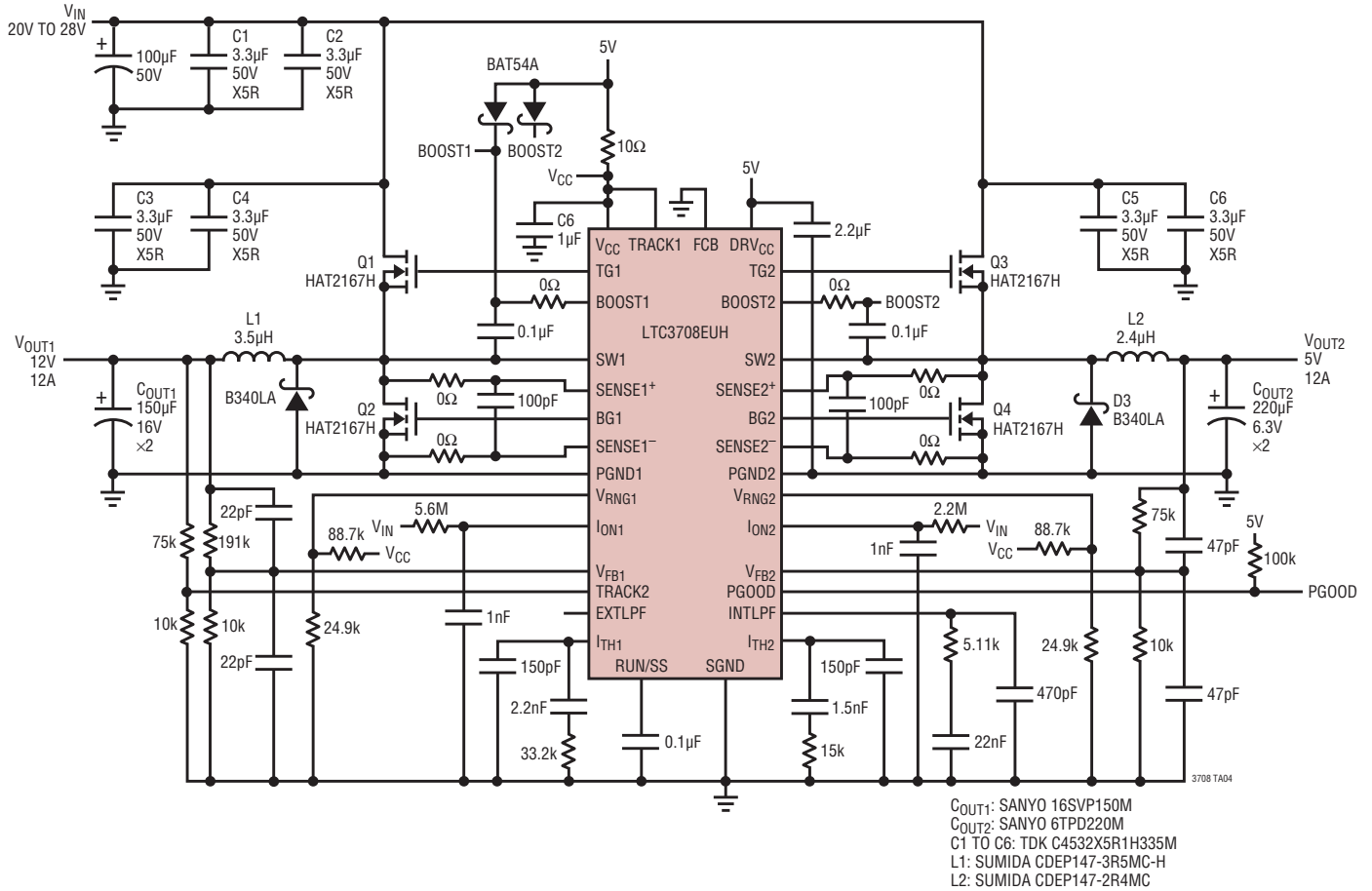


C<sub>IN1</sub>: SANYO OS-CON 6SVP100M  
 C<sub>OUT3</sub>, C<sub>OUT4</sub>: SANYO POSCAP 2R5TPD470M  
 L1, L2: PANASONIC ETQP4LR19  
 M1 TO M4: RENESAS HAT2165

3708 TA05

## TYPICAL APPLICATIONS

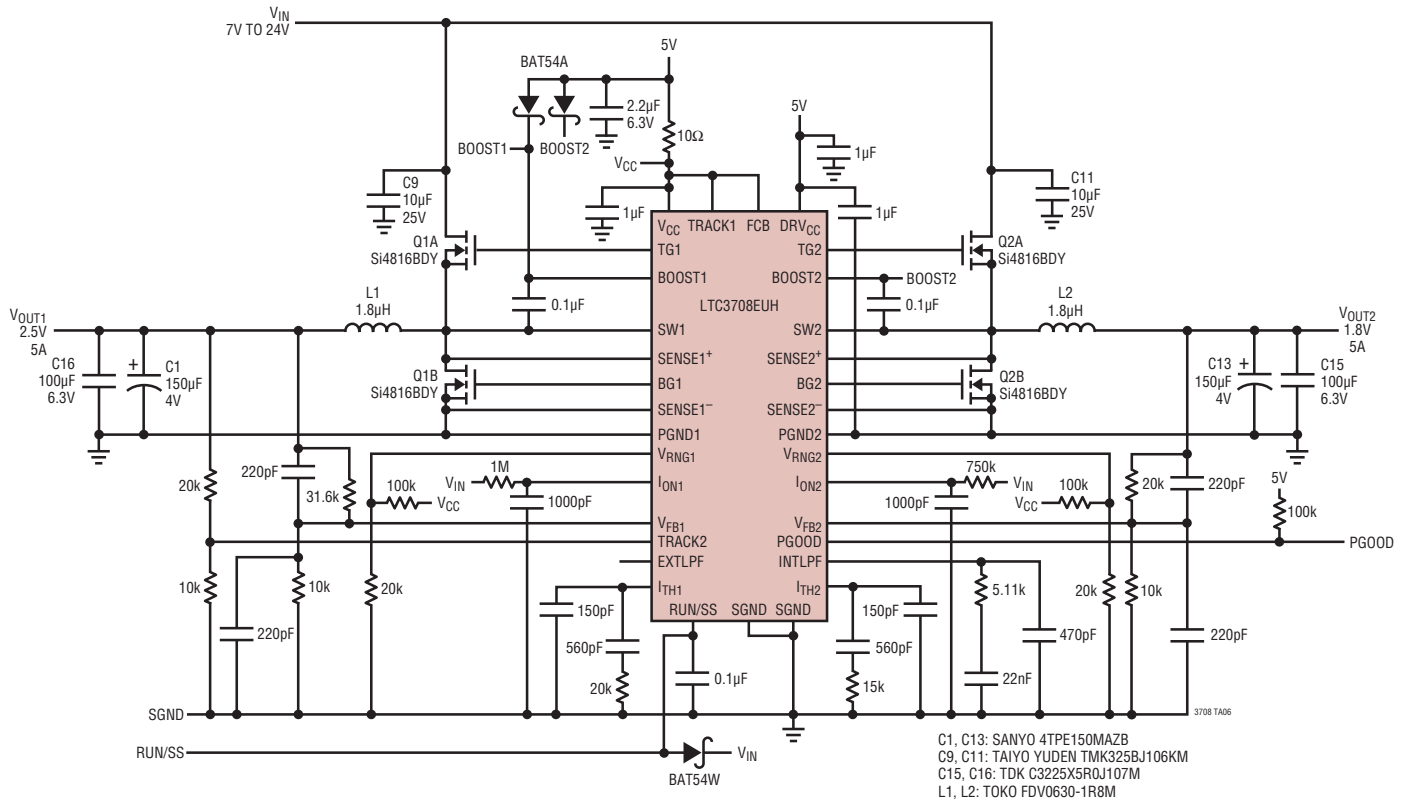
### 12V/12A and 5V/12A at 300kHz Application





## TYPICAL APPLICATION

Area = 650mm<sup>2</sup>, Height = 3mm



## RELATED PARTS

PART NUMBER	DESCRIPTION	COMMENTS
LTC1778	Wide Operating Range, No R <sub>SENSE</sub> Step-Down Controller	Single Channel, GN16 Package
LTC3709	2-Phase, No R <sub>SENSE</sub> Step-Down Controller with Tracking/Sequencing	Single Output, Remote Sensing
LTC3728	Dual, 550kHz, 2-Phase Synchronous Step-Down Switching Regulator	Fixed Frequency, Dual Output
LTC3729	550kHz, PolyPhase <sup>®</sup> , High Efficiency, Synchronous Step-Down Switching Regulator	Fixed Frequency, Single Output, Up to 12-Phase Operation
LTC3731	3-Phase, 600kHz, Synchronous Buck Switching Regulator Controller	3-Phase, Single Output
LTC3778	Wide Operating Range, No R <sub>SENSE</sub> Step-Down Controller	Single Channel, Separate V <sub>ON</sub> Programming

PolyPhase is a registered trademark of Linear Technology Corporation