

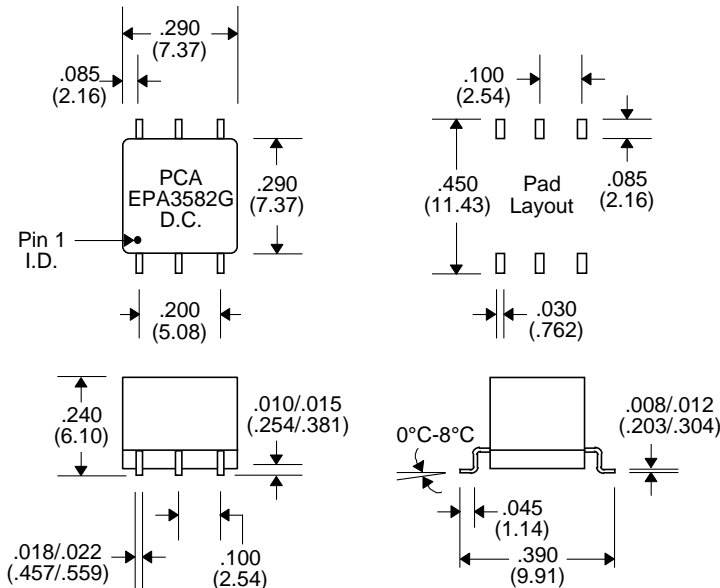


- SMD Package
- 3000 Vrms Isolation with Reinforced Insulation
- Operating Temperature Range : -40°C to +85°C
- Add "-RC" after part number for RoHS Compliant

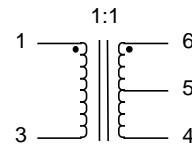
Electrical Parameters @ 25°C

Primary Inductance (μH Min.)	Leakage Inductance (μH Max.)	Interwinding Capacitance (pF Max.)	Turns Ratio ($\pm 5\%$)	Primary DCR (Max.)
250	.15	5	1:1	.35

Package



Schematic



Notes :	EPA3582G	EPA3582G-RC
1. Lead Finish	SnPb	Hot Tin Dip (Sn) †
2. Peak Temperature Rating	225°C	250°C
3. Moisture Sensitive Levels	MSL = 3 (168 Hours, 30°C/60%RH)	MSL = 4 (72 Hours, 30°C/60%RH)
4. Weight	0.7098 grams	0.7098 grams
5. Packaging Information (*Add "TR" to end of part number, but in front of "-RC" when placing order)	(Tube) 67 pieces/tube (Tape & Reel) 550 pieces/13" reel (*EPA3582GTR)	(Tube) 67 pieces/tube (Tape & Reel) 550 pieces/13" reel (*EPA3582GTR-RC)

† Hot tin dipped over Matte Tin with Ni Barrier

Unless Otherwise Specified Dimensions are in Inches /mm $\pm .010 / .25$