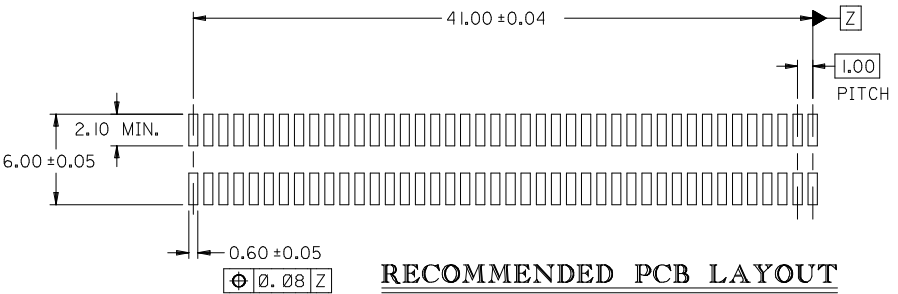
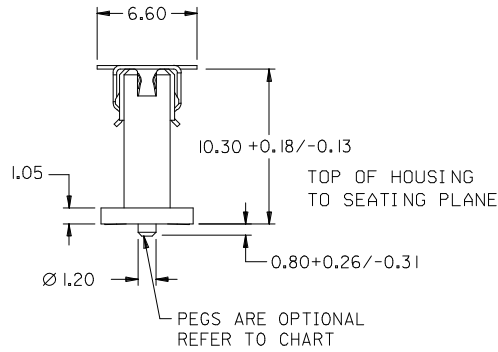
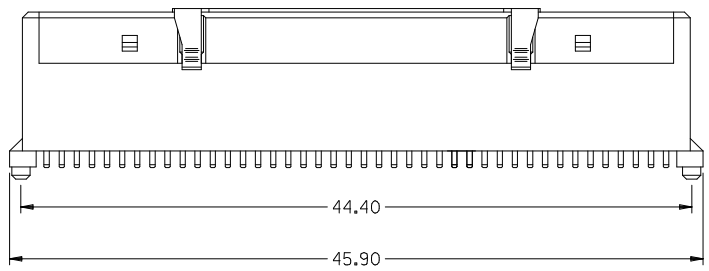
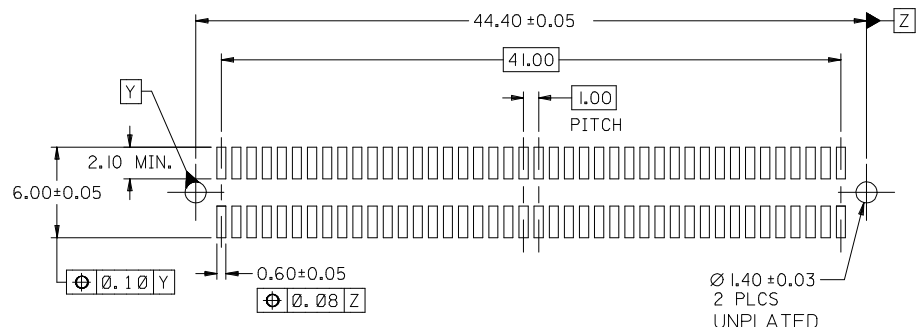


71742-3004	0.76 (30 MICROINCH)	YES	YES	PK-70873-063	TAPE & REEL
71742-3003	0.25 (10 MICROINCH)	YES	YES	PK-70873-063	TAPE & REEL
71742-3001	0.25 (10 MICROINCH)	NO	YES	PK-70873-063	TAPE & REEL
ITEM NUMBER	CONTACT AREA PLATING MINIMUM GOLD THICKNESS IN MICROMETERS (SEE NOTES FOR OTHER PLATINGS)	PEGS	PICK & PLACE CAP	PACKAGING SPEC. NUMBER	PACKAGING TYPE



RECOMMENDED PCB LAYOUT
RECOMMENDED PCB THICKNESS: 1.0±0.1mm MIN.



RECOMMENDED PCB LAYOUT WITH PEGS
RECOMMENDED PCB THICKNESS: 1.0±0.1mm MIN.

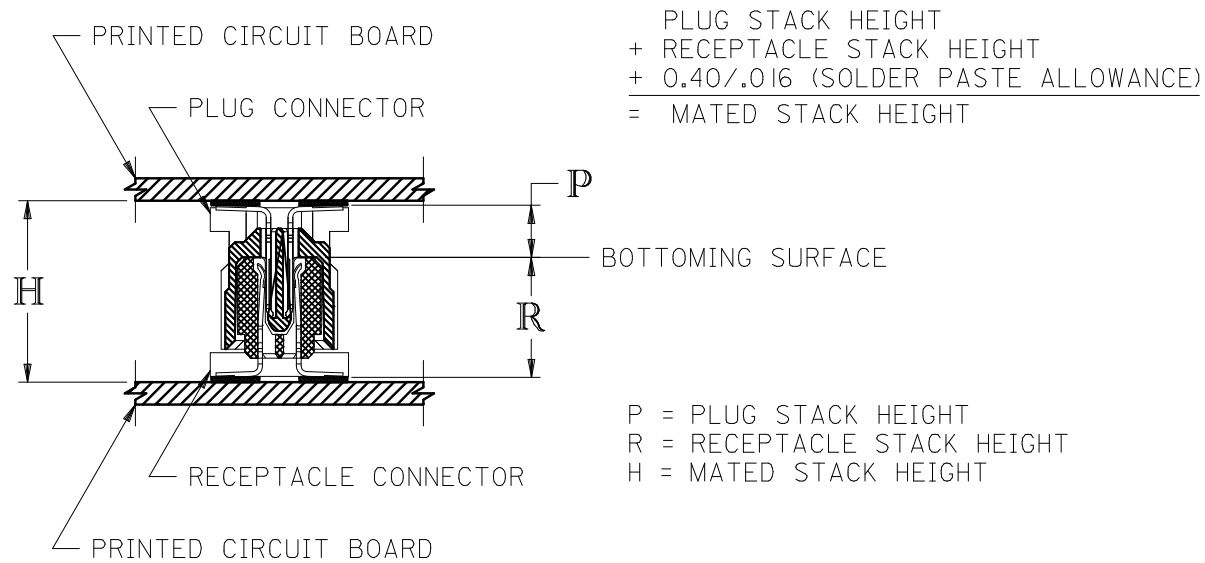
NOTES:

- HOUSING MATERIAL: GLASS FILLED LIQUID CRYSTAL POLYMER (LCP);
UL RATING: 94V-0; COLOR: WHITE (NATURAL).
TERMINAL MATERIAL: PHOSPHOR BRONZE.
VACUUM CAP MATERIAL: STAINLESS STEEL.
- CONTACT FINISH:
SEE TABLE FOR THICKNESS OF GOLD PLATING IN CONTACT AREA,
1.90 MICROMETER MINIMUM TIN PLATING IN SOLDER TAIL AREA,
OVER NICKEL PLATING OVERALL.
- THIS PART CONFORMS TO MOLEX PRODUCT SPECIFICATION PS-71741-9999.
- DIMENSIONS ARE IN MILLIMETERS.
- PACKAGING SPECIFICATIONS: REFER TO CHART.

CLARIFY DIMENSIONS EC NO: UCP2009-2408 DRW: BARKER 2009/04/20 CHKD: MORGAN 2009/04/20 APPR: MILLER 2009/04/21	QUALITY SYMBOLS	GENERAL TOLERANCES (UNLESS SPECIFIED)	DIMENSION STYLE	SCALE	DESIGN UNITS	THIRD ANGLE PROJECTION														
	$\nabla=0$ $\nabla=0$	<table border="1"> <tr> <th></th> <th>mm</th> <th>INCH</th> </tr> <tr> <td>4 PLACES</td> <td>± ---</td> <td>± ---</td> </tr> <tr> <td>3 PLACES</td> <td>± ---</td> <td>± ---</td> </tr> <tr> <td>2 PLACES</td> <td>± 0.13</td> <td>± ---</td> </tr> <tr> <td>1 PLACE</td> <td>± 0.25</td> <td>± ---</td> </tr> </table>		mm	INCH	4 PLACES	± ---	± ---	3 PLACES	± ---	± ---	2 PLACES	± 0.13	± ---	1 PLACE	± 0.25	± ---	MM ONLY	METRIC	
		mm	INCH																	
	4 PLACES	± ---	± ---																	
	3 PLACES	± ---	± ---																	
2 PLACES	± 0.13	± ---																		
1 PLACE	± 0.25	± ---																		
DRAWN BY: WGM CHECKED BY: DATE: 97/08/04 APPROVED BY: DJB DATE: 97/08/04 MATERIAL NO.: SEE TABLE SIZE: C	TITLE: SALES ASSY, 1.0MM 84 CKT BOARD-TO-BOARD RECPTACLE 10.3 STACK HEIGHT MOLEX INCORPORATED DOCUMENT NO.: SDA-71742-3*** SHEET NO.: 1 OF 2																			
DRAFT WHERE APPLICABLE MUST REMAIN WITHIN DIMENSIONS THIS DRAWING CONTAINS INFORMATION THAT IS PROPRIETARY TO MOLEX INCORPORATED AND SHOULD NOT BE USED WITHOUT WRITTEN PERMISSION																				

RECOMMENDED PLUG/RECEPTACLE COMBINATION FOR
MATED STACK HEIGHT PER EIA STANDARD 700 AAAB

MATED STACK HEIGHT	RECEPTACLE HEIGHT	RECEPTACLE SERIES NO.	PLUG HEIGHT	PLUG SERIES NO.
15.00/.591	10.30/.406	71742-3***	4.30/.169	71741-0***
13.00/.512	10.30/.406	71742-3***	2.30/..091	71741-2***



SEE SHEET 1 EC NO: UCP2009-2408 DRWN:BBARKER 2009/04/20 CHKD:JMORGAN 2009/04/20 APPR:SMILLER 2009/04/21	QUALITY SYMBOLS ▽=0 ▽=0	GENERAL TOLERANCES (UNLESS SPECIFIED)		DIMENSION STYLE MM ONLY	SCALE METRIC	DESIGN UNITS METRIC	THIRD ANGLE PROJECTION		
		4 PLACES ± --- ± ---	3 PLACES ± --- ± ---	DRAWN BY WGM	DATE 97/08/04	TITLE SALES ASSY, 1.0MM 84 CKT BOARD-TO-BOARD RECP TACLE 10.3 STACK HEIGHT			
		2 PLACES ± 0.13 ± ---	1 PLACE ± 0.25 ± ---	CHECKED BY	DATE	MOLEX INCORPORATED			
		ANGULAR ± 1/2°		APPROVED BY DJB	DATE 97/08/04	MATERIAL NO. SEE TABLE	DOCUMENT NO. SDA-71742-3***	SHEET NO. 1 OF 2	
DRAFT WHERE APPLICABLE MUST REMAIN WITHIN DIMENSIONS		THIS DRAWING CONTAINS INFORMATION THAT IS PROPRIETARY TO MOLEX INCORPORATED AND SHOULD NOT BE USED WITHOUT WRITTEN PERMISSION							

13 12 11 10 9 8 7 6 5 4 3 2 1

J

I

H

G

F

E

D

C

B

A

J

I

H

G

F

E

D

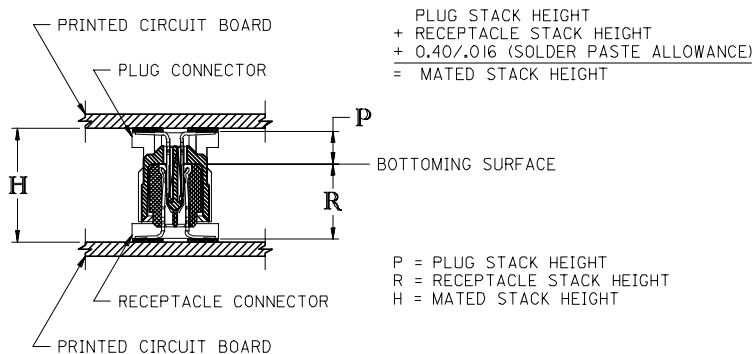
C

B

A

*RECOMMENDED PLUG/RECEPTACLE COMBINATION FOR
MATED STACK HEIGHT PER EIA STANDARD 700 AAAB

MATED STACK HEIGHT	RECEPTACLE HEIGHT	RECEPTACLE SERIES NO.	PLUG HEIGHT	PLUG SERIES NO.
*15.00/.591	10.30/.406	71742-3***	4.30/.169	71741-0***
13.00/.512	10.30/.406	71742-3***	2.30/..091	71741-2***



CHG TO NEW BORDER EC NO: UCP2007-1510 G DRAWN: BARKER 2007/01/04 CHKD: MIBARRA 2007/01/04 APPR: SMILLER 2007/01/05 REVISION DESCRIPTION	QUALITY SYMBOLS	GENERAL TOLERANCES (UNLESS SPECIFIED)	DIMENSION STYLE	SCALE	DESIGN UNITS	THIRD ANGLE PROJECTION	
	$\nabla=0$ $\nabla=0$	mm INCH 4 PLACES ± --- ± --- 3 PLACES ± --- ± --- 2 PLACES ± --- ± --- 1 PLACE ± --- ± --- ANGULAR ±1/2°	MM/IN	---	METRIC	DRAWN BY DATE KAS 98/12/28 CHECKED BY DATE KAS 98/12/28 APPROVED BY DATE DJB 98/12/28	
		DRAFT WHERE APPLICABLE MUST REMAIN WITHIN DIMENSIONS	SEE TABLE	TITLE	SALES ASSEMBLY, 1.0 MM 84 CKT., BTB RECEPTACLE 10.30/.406 STACK HEIGHT		
				MATERIAL NO.	DOCUMENT NO.	SHEET NO.	

MOLEX INCORPORATED
 SDA-71742-3***
 2 OF 2

12 11 10 9 8 7 6 5 4 3 2 1